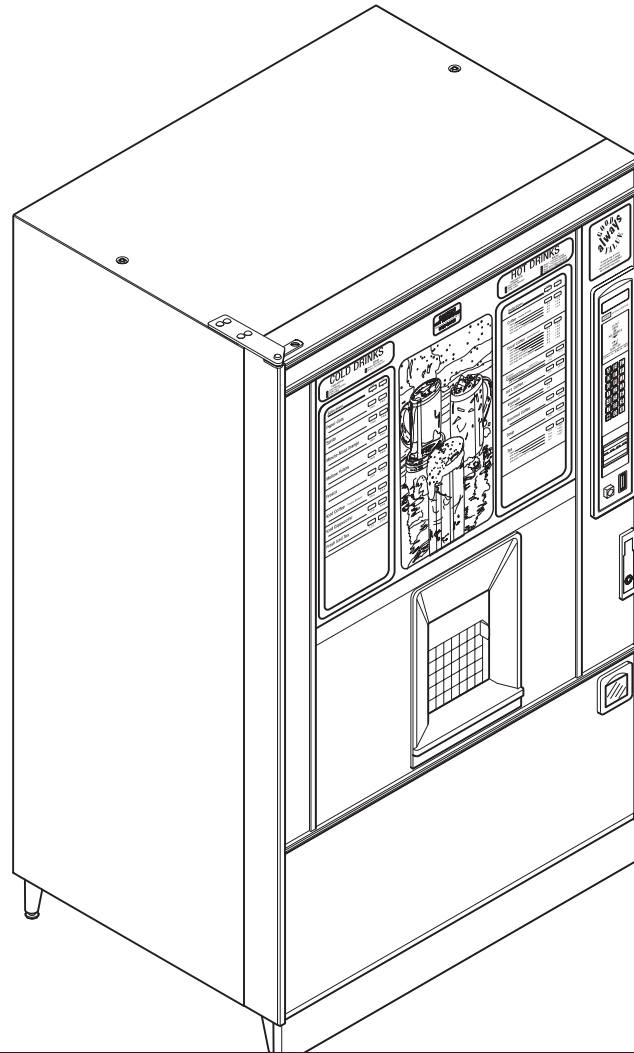


3630001

Model 363

Twin Drink Center



PARTS MANUAL

CRANE MERCHANDISING SYSTEMS A Crane Co. Company
NATIONAL VENDORS

12955 Enterprise Way
Bridgeton, Missouri 63044-1200
(314) 298-3500
www.cranems.com

Copyright© September 1998

3630001

LIST OF FIGURES

FIGURE	PAGE
FIGURE 1. 363/364/365 MERCHANDISER	1
FIGURE 2. DOOR ASSEMBLY - EXTERIOR.....	2
FIGURE 3. BASE PLATE ASSEMBLY.....	4
FIGURE 4. LEG, LEVELER, AND LEG AND HINGE ASSEMBLIES.....	6
FIGURE 5. DOOR ASSEMBLY - INTERIOR.....	8
FIGURE 10. TRIM AND PANELS - IMPERIAL CROWN AND SIGNATURE STYLES.....	18
FIGURE 11. TRIM MOUNTING DETAILS - IMPERIAL CROWN AND SIGNATURE STYLES	23
FIGURE 12. TRIM - MILLENIA STYLE (PART 1 OF 3)	26
FIGURE 13. TRIM - MILLENIA STYLE (PART 2 OF 3).....	28
FIGURE 14. TRIM - MILLENIA STYLE (PART 3 OF 3).....	30
FIGURE 15. DOOR HINGE ASSEMBLIES	32
FIGURE 16. MONETARY PANEL ASSEMBLY (PART 1 OF 3).....	34
FIGURE 16. MONETARY PANEL ASSEMBLY (PART 2 OF 3).....	36
FIGURE 16. MONETARY PANEL ASSEMBLY (PART 3 OF 3).....	38
FIGURE 17. CARD READER AND BILL VALIDATOR COMBINATIONS	44
FIGURE 18. MONETARY CHANNEL ASSEMBLY	46
FIGURE 19. COIN RECEPTACLE ASSEMBLY	48
FIGURE 20. DOOR LOCK ASSEMBLY.....	50
FIGURE 21. STANDARD DOOR LOCK AND HANDLE ASSEMBLY	52
FIGURE 22. MILLENNIA DOOR LOCK AND HANDLE ASSEMBLY	54
FIGURE 23. MECH AND CANISTER ASSEMBLY - 4 COLUMN 12/18 OZ.	56
FIGURE 24. TURRET AND CANISTER ASSEMBLY - 12/18 OZ.....	58
FIGURE 25. 12 - 18 OZ. MECHANISM ASSEMBLY.....	60
FIGURE 26. CUP RING ASSEMBLY - 12-16 OZ.....	62
FIGURE 27. MECH AND CANISTER ASSEMBLY - 11 COLUMN	64
FIGURE 28. TURRET AND CANISTER ASSEMBLY - 7 COLUMN	66
FIGURE 29. TURRET AND CANISTER ASSEMBLY - 4 COLUMN	68
FIGURE 30. MECHANISM ASSEMBLY - 11 COLUMN	70
FIGURE 31. CUP RING ASSEMBLY (5 OZ TO 12 OZ)	72
FIGURE 32. AUTOMATIC DELIVERY DOOR.....	74
FIGURE 33. FLUORESCENT LAMP ASSEMBLY AND BALLAST	76
FIGURE 34. DISPLAY ASSEMBLY (PART 1 OF 2)	78
FIGURE 35. DISPLAY ASSEMBLY (PART 2 OF 2)	80
FIGURE 36. MISCELLANEOUS MOUNTED PARTS - CABINET (PART 1 OF 6)	82
FIGURE 37. MISCELLANEOUS MOUNTED PARTS - CABINET (PART 2 OF 6)	84
FIGURE 38. MISCELLANEOUS MOUNTED PARTS - CABINET (PART 3 OF 6)	86
FIGURE 39. MISCELLANEOUS MOUNTED PARTS - CABINET (PART 4 OF 6)	88
FIGURE 40. MISCELLANEOUS MOUNTED PARTS - CABINET (PART 5 OF 6)	90
FIGURE 41. MISCELLANEOUS MOUNTED PARTS - CABINET (PART 6 OF 6)	92
FIGURE 42. BRACKET, BLOWER, AND COVER ASSEMBLY.....	94
FIGURE 43. HOT WATER TANK ASSEMBLY.....	96
FIGURE 44. WATER TANK LID ASSEMBLY.....	98
FIGURE 45. SERVICE LIGHT/BRACKET ASSEMBLY	100
FIGURE 46. SERVICE LIGHT/BRACKET ASSEMBLY - 230 VOLTS	102
FIGURE 47. CUP DELIVERY ASSEMBLY.....	104
FIGURE 48. CUP STATION SUPPORT, OVERFLOW SWITCH, AND CUP SENSOR	106
FIGURE 49. SUPPORT ASSEMBLY - CUP STATION	108
FIGURE 50. OVERFLOW SWITCH ASSEMBLY	110
FIGURE 51. ICEMAKER ASSEMBLY (PART 1 OF 8).....	112
FIGURE 52. ICEMAKER ASSEMBLY (PART 2 OF 8).....	114
FIGURE 53. ICEMAKER ASSEMBLY (PART 3 OF 8).....	116

Twin Drink Center Parts Manual

FIGURE	PAGE
FIGURE 54. ICEMAKER ASSEMBLY (PART 4 OF 8) - GEAR AND MOTOR ASSEMBLY	118
FIGURE 55. ICEMAKER ASSEMBLY (PART 5 OF 8) - HOPPER AND EVAPORATOR ASSEMBLY	120
FIGURE 56. ICEMAKER ASSEMBLY (PART 6 OF 8) - CONTROL ASSEMBLY - ICE LEVEL	122
FIGURE 57. ICEMAKER ASSEMBLY (PART 7 OF 8) - WATER FEEDER ASSEMBLY	124
FIGURE 58. ICEMAKER ASSEMBLY (PART 8 OF 8) - PUMP AND VALVE ASSEMBLY - COOL-SAN	126
FIGURE 59. POWER PANEL ASSEMBLY - U.S./MEXICO	128
FIGURE 60. POWER PANEL ASSEMBLY - U.K.	130
FIGURE 61. POWER PANEL ASSEMBLY - 230 V - FRANCE/GERMANY	132
FIGURE 62. FILTER LOCATOR AND BRACKET ASSEMBLY	134
FIGURE 63. SINGLE BREWER ASSEMBLY (NO FILTER)	136
FIGURE 64. SINGLE BREWER ASSEMBLY (WITH FILTER)	138
FIGURE 65. BARREL ASSEMBLY - SINGLE BREWER	140
FIGURE 66. RACK ASSEMBLY - SINGLE BREWER	142
FIGURE 67. PAPER MECHANISM ASSEMBLY - SINGLE BREWER	143
FIGURE 68. BREWER DRIVE ASSEMBLY	144
FIGURE 69. FILTER PAPER HOUSING AND BRACKET ASSEMBLY	146
FIGURE 70. CANISTER POSITIONS	147
FIGURE 71. CANISTER ASSEMBLY 6537023	148
FIGURE 72. CANISTER ASSEMBLY 6537024	150
FIGURE 73. CANISTER ASSEMBLY 6237446	152
FIGURE 74. CANISTER ASSEMBLY 6537022	154
FIGURE 75. CANISTER ASSEMBLY 3637020	156
FIGURE 76. CANISTER ASSEMBLY 6237423	158
FIGURE 77. CANISTER ASSEMBLY 6537025	160
FIGURE 78. PRODUCT AND CONDIMENT CHUTES	162
FIGURE 79. PRODUCT DELIVERY CHUTE ASSEMBLY USAGE	164
FIGURE 80. CANISTER SUPPORT CHANNEL ASSEMBLY	166
FIGURE 81. MIXING BOWL AND WHIPPER POSITIONS	168
FIGURE 82. MIXING BOWL AND WHIPPER ASSEMBLIES	170
FIGURE 83. REGULATOR ASSEMBLY	172
FIGURE 84. VENTILATION ASSEMBLIES	174
FIGURE 85. SHELF VENT ASSEMBLIES	176
FIGURE 86. VENT ASSEMBLIES	178
FIGURE 87. INGREDIENT DRAIN TRAY ACCESSORY	180
FIGURE 88. MOTOR AND PLATE ASSEMBLY	182
FIGURE 91. AIR COMPRESSOR - 115 VOLTS	186
FIGURE 92. AIR COMPRESSOR - 230 VOLTS	188
FIGURE 93. COLD SECTION - MISCELLANEOUS MOUNTED PARTS	190
FIGURE 94. CARBONATOR PUMP ASSEMBLY	192
FIGURE 95. COLD PLATE ASSEMBLY	194
FIGURE 96. CARBONATOR FINAL ASSEMBLY	196
FIGURE 97. VALVE AND REGULATOR ASSEMBLY	198
FIGURE 98. SINGLE INLET VALVE ASSEMBLY	200
FIGURE 99. WATER SUPPLY - WITH HYDROLIFE WATER FILTER OPTION	202
FIGURE 100. PUMP AND BRACKET ASSEMBLY	204
FIGURE 101. BAG-IN-BOX CONNECTORS	206
FIGURE 102. SYRUP TANK COMPONENTS	208
FIGURE 103. INTERLOCK SWITCH AND BRACKET	210
Figure 104. Wiring Harnesses (Part 1 of 16)	212
Figure 104. Wiring Harnesses (Part 2 of 16)	213
Figure 104. Wiring Harnesses (Part 3 of 16)	214
Figure 104. Wiring Harnesses (Part 4 of 16)	215

Twin Drink Center Parts Manual

FIGURE	PAGE
Figure 104. Wiring Harnesses (Part 5 of 16).....	216
Figure 104. Wiring Harnesses (Part 6 of 16).....	217
Figure 104. Wiring Harnesses (Part 7 of 16).....	218
Figure 104. Wiring Harnesses (Part 8 of 16).....	219
Figure 104. Wiring Harnesses (Part 9 of 16).....	220
Figure 104. Wiring Harnesses (Part 10 of 16).....	221
Figure 104. Wiring Harnesses (Part 11 of 16).....	222
Figure 104. Wiring Harnesses (Part 12 of 16).....	223
Figure 104. Wiring Harnesses (Part 13 of 16).....	224
Figure 104. Wiring Harnesses (Part 14 of 16).....	225
Figure 104. Wiring Harnesses (Part 15 of 16).....	226
Figure 104. Wiring Harnesses (Part 16 of 16).....	227

This Page Intentionally Left Blank

LIST OF TABLES

TABLE	PAGE
TABLE 1. 363/364/365 MERCHANDISER	1
TABLE 2. DOOR ASSEMBLY - EXTERIOR	3
TABLE 3. BASE PLATE ASSEMBLY	5
TABLE 4. LEG, LEVELER, AND LEG AND HINGE ASSEMBLIES	7
TABLE 5. DOOR ASSEMBLY - INTERIOR	9
TABLE 6. BAG ASSEMBLY PARTS B3630004 - U.S.	10
TABLE 7. BAG ASSEMBLY PARTS B3630005 - U.K.	12
TABLE 8. BAG ASSEMBLY PARTS B3630007 - GERMANY	14
TABLE 9. BAG ASSEMBLY PARTS B3630002 - FRANCE	16
TABLE 10. TRIM AND PANELS - IMPERIAL CROWN AND SIGNATURE STYLES	19
TABLE 10 A. PANEL - TOP (ITEM NUMBER 1) DETAIL	19
TABLE 10 B. PANEL - RIGHT (ITEM NUMBER 7) DETAIL	20
TABLE 10 C. PANEL - RIGHT CENTER (ITEM NUMBER 8) DETAIL	20
TABLE 10 D. PANEL - LEFT CENTER (ITEM NUMBER 9) DETAIL	20
TABLE 10 E. PANEL - BOTTOM (ITEM NUMBER 10) DETAIL	21
TABLE 10 F. PANEL - LEFT (ITEM NUMBER 12) DETAIL	21
TABLE 11. TRIM MOUNTING DETAILS - IMPERIAL CROWN AND SIGNATURE STYLES	23
TABLE 12. TRIM - MILLENIA STYLE (PART 1 OF 3)	25
TABLE 13. TRIM - MILLENIA STYLE (PART 2 OF 3)	27
TABLE 14. TRIM - MILLENIA STYLE (PART 3 OF 3)	29
TABLE 15. DOOR HINGE ASSEMBLIES	31
TABLE 16. MONETARY PANEL ASSEMBLY (PART 1 OF 3)	33
TABLE 16. MONETARY PANEL ASSEMBLY (PART 2 OF 3)	35
TABLE 16. MONETARY PANEL ASSEMBLY (PART 3 OF 3)	37
TABLE 16 A. MONETARY LOCATION OPTIONS	38
TABLE 16 B. BILL VALIDATOR OPTIONS	39
TABLE 16 C. COIN MECHANISM OPTIONS	39
TABLE 16 D. CARD READERS	39
TABLE 16 E. MONETARY CAPABILITY (PART 1)	40
TABLE 16 E. MONETARY CAPABILITY (PART 2)	41
TABLE 17. CARD READER AND BILL VALIDATOR COMBINATIONS	43
TABLE 18. MONETARY CHANNEL ASSEMBLY	45
TABLE 19. COIN RECEPTACLE ASSEMBLY	47
TABLE 20. DOOR LOCK ASSEMBLY	49
TABLE 21. STANDARD DOOR LOCK AND HANDLE ASSEMBLY	51
TABLE 22. MILLENNIA DOOR LOCK AND HANDLE ASSEMBLY	53
TABLE 23. MECH AND CANISTER ASSEMBLY - 4 COLUMN 12/18 OZ.	55
TABLE 24. TURRET AND CANISTER ASSEMBLY - 12/18 OZ.	57
TABLE 25. 12 - 18 OZ. MECHANISM ASSEMBLY	59
TABLE 26. CUP RING ASSEMBLY - 12-16 OZ.	61
TABLE 27. MECH AND CANISTER ASSEMBLY - 11 COLUMN	63
TABLE 28. TURRET AND CANISTER ASSEMBLY - 7 COLUMN	65
TABLE 29. TURRET AND CANISTER ASSEMBLY - 4 COLUMN	67
TABLE 30. MECHANISM ASSEMBLY - 11 COLUMN	69
TABLE 31. CUP RING ASSEMBLY (5 OZ TO 12 OZ)	71
TABLE 32. AUTOMATIC DELIVERY DOOR	73
TABLE 33. FLUORESCENT LAMP ASSEMBLY AND BALLAST	75
TABLE 34. DISPLAY ASSEMBLY (PART 1 OF 2)	77
TABLE 35. DISPLAY ASSEMBLY (PART 2 OF 2)	79
TABLE 36. MISCELLANEOUS MOUNTED PARTS - CABINET (PART 1 OF 6)	81
TABLE 37. MISCELLANEOUS MOUNTED PARTS - CABINET (PART 2 OF 6)	83

Twin Drink Center Parts Manual

TABLE	PAGE
TABLE 38. MISCELLANEOUS MOUNTED PARTS - CABINET (PART 3 OF 6)	85
TABLE 39. MISCELLANEOUS MOUNTED PARTS - CABINET (PART 4 OF 6)	87
TABLE 40. MISCELLANEOUS MOUNTED PARTS - CABINET (PART 5 OF 6)	89
TABLE 41. MISCELLANEOUS MOUNTED PARTS - CABINET (PART 6 OF 6)	91
TABLE 42. BRACKET, BLOWER, AND COVER ASSEMBLY	93
TABLE 43. HOT WATER TANK ASSEMBLY	95
TABLE 44. WATER TANK LID ASSEMBLY	97
TABLE 45. SERVICE LIGHT/BRACKET ASSEMBLY	99
TABLE 46. SERVICE LIGHT/BRACKET ASSEMBLY - 230 VOLTS	101
TABLE 47. CUP DELIVERY ASSEMBLY	103
TABLE 48. CUP STATION SUPPORT, OVERFLOW SWITCH, AND CUP SENSOR	105
TABLE 49. SUPPORT ASSEMBLY - CUP STATION	107
TABLE 50. OVERFLOW SWITCH ASSEMBLY	109
TABLE 51. ICEMAKER ASSEMBLY (PART 1 OF 8)	111
TABLE 52. ICEMAKER ASSEMBLY (PART 2 OF 8)	113
TABLE 53. ICEMAKER ASSEMBLY (PART 3 OF 8)	115
TABLE 54. ICEMAKER ASSEMBLY (PART 4 OF 8) - GEAR AND MOTOR ASSEMBLY	117
TABLE 55. ICEMAKER ASSEMBLY (PART 5 OF 8) - HOPPER AND EVAPORATOR ASSEMBLY	119
TABLE 56. ICEMAKER ASSEMBLY (PART 6 OF 8) - CONTROL ASSEMBLY - ICE LEVEL	121
TABLE 57. ICEMAKER ASSEMBLY (PART 7 OF 8) - WATER FEEDER ASSEMBLY	123
TABLE 58. ICEMAKER ASSEMBLY (PART 8 OF 8) - PUMP AND VALVE ASSEMBLY - COOL-SAN	125
TABLE 59. POWER PANEL ASSEMBLY - U.S.	127
TABLE 60. POWER PANEL ASSEMBLY - U.K.	129
TABLE 61. POWER PANEL ASSEMBLY (FR./GER./S.A./SP.)	131
TABLE 62. FILTER LOCATOR AND BRACKET ASSEMBLY	133
TABLE 63. SINGLE BREWER ASSEMBLY (NO FILTER)	135
TABLE 64. SINGLE BREWER ASSEMBLY (WITH FILTER)	137
TABLE 65. BARREL ASSEMBLY - SINGLE BREWER	139
TABLE 66. RACK ASSEMBLY - SINGLE BREWER	140
TABLE 67. PAPER MECHANISM ASSEMBLY - SINGLE BREWER	141
TABLE 68. BREWER DRIVE ASSEMBLY	143
TABLE 69. FILTER PAPER HOUSING AND BRACKET ASSEMBLY	144
TABLE 70. CANISTER POSITIONS	145
TABLE 71. CANISTER ASSEMBLY 6237447	147
TABLE 72. CANISTER ASSEMBLY 6237448	149
TABLE 73. CANISTER ASSEMBLY 6237446	151
TABLE 74. CANISTER ASSEMBLY 6237445	153
TABLE 75. CANISTER ASSEMBLY 6337023	155
TABLE 76. CANISTER ASSEMBLY 6237423	157
TABLE 77. CANISTER ASSEMBLY 6237449	159
TABLE 78. CANISTER ASSEMBLY 6237450	161
TABLE 79. PRODUCT AND CONDIMENT CHUTES	163
TABLE 80. PRODUCT DELIVERY CHUTE ASSEMBLY USAGE	165
TABLE 80 A. DELIVERY CHUTE 6237293 PARTS	165
TABLE 80 B. DELIVERY CHUTE 6237281 PARTS	165
TABLE 81. CANISTER SUPPORT CHANNEL ASSEMBLY	167
TABLE 82. MIXING BOWL AND WHIPPER POSITIONS	169
TABLE 83. MIXING BOWL AND WHIPPER ASSEMBLIES	171
TABLE 84. REGULATOR ASSEMBLY	173
TABLE 85. VENTILATION ASSEMBLIES	175
TABLE 86. SHELF VENT ASSEMBLIES	177
TABLE 87. VENT ASSEMBLIES	179

Twin Drink Center Parts Manual

TABLE	PAGE
TABLE 88. INGREDIENT DRAIN TRAY ACCESSORY	181
TABLE 89. MOTOR AND PLATE ASSEMBLY	183
TABLE 90. MOTOR POSITION USAGE - BRZ./MEX./U.S.	184
TABLE 91. AIR COMPRESSOR - 115 VOLTS	187
TABLE 92. AIR COMPRESSOR - 230 VOLTS	189
TABLE 93. COLD SECTION - MISCELLANEOUS MOUNTED PARTS	191
TABLE 94. CARBONATOR PUMP ASSEMBLY	193
TABLE 95. COLD PLATE ASSEMBLY	195
TABLE 96. CARBONATOR FINAL ASSEMBLY	197
TABLE 97. VALVE AND REGULATOR ASSEMBLY	199
TABLE 98. SINGLE INLET VALVE ASSEMBLY	201
TABLE 99. WATER SUPPLY - WITH HYDROLIFE WATER FILTER OPTION	203
TABLE 100. PUMP AND BRACKET ASSEMBLY	205
TABLE 101. BAG-IN-BOX CONNECTORS	207
TABLE 102. SYRUP TANK COMPONENTS	209
TABLE 103. INTERLOCK SWITCH AND BRACKET	211
TABLE 1. 363/364/365 MERCHANDISER	1
TABLE 2. DOOR ASSEMBLY - EXTERIOR	3
TABLE 3. BASE PLATE ASSEMBLY	5
TABLE 4. LEG, LEVELER, AND LEG AND HINGE ASSEMBLIES	7
TABLE 5. DOOR ASSEMBLY - INTERIOR	9
TABLE 6. BAG ASSEMBLY PARTS B3630004 - U.S.	10
TABLE 6NOTE: PARTS NOT SHOWN	10
TABLE 7. BAG ASSEMBLY PARTS B3630005 - U.K.	
NOTE: PARTS NOT SHOWN	12
TABLE 8. BAG ASSEMBLY PARTS B3630007 - GERMANY	
NOTE: PARTS NOT SHOWN	14
TABLE 9. BAG ASSEMBLY PARTS B3630002 - FRANCE	16
TABLE 10. TRIM AND PANELS - IMPERIAL CROWN AND SIGNATURE STYLES	19
TABLE 10 A. panel - top (item number 1) detail	19
TABLE 10 B. panel - right (item number 7) detail	20
TABLE 10 C. panel - right center (item number 8) detail	20
TABLE 10 D. panel - left center (item number 9) detail	20
TABLE 10 E. panel - bottom (item number 10) detail	21
TABLE 10 F. panel - left (item number 12) detail	21
TABLE 11. TRIM MOUNTING DETAILS - IMPERIAL CROWN AND SIGNATURE STYLES	25
TABLE 12. TRIM - MILLENIA STYLE (PART 1 OF 3)	27
TABLE 13. TRIM - MILLENIA STYLE (PART 2 OF 3)	29
TABLE 14. TRIM - MILLENIA STYLE (PART 3 OF 3)	31
TABLE 15. DOOR HINGE ASSEMBLIES	33
TABLE 16. MONETARY PANEL ASSEMBLY (PART 1 OF 3)	35
TABLE 16. MONETARY PANEL ASSEMBLY (PART 2 OF 3)	37
TABLE 16. MONETARY PANEL ASSEMBLY (PART 3 OF 3)	39
TABLE 16 A. monetary location options	40
TABLE 16 B. bill validator options	41
TABLE 16 C. coin mechanism options	41
TABLE 16 D. card readers	41
TABLE 16 E. MONETARY CAPABILITY (PART 1)	42
TABLE 16 E. monetary capability (PART 2)	43
TABLE 17. CARD READER AND BILL VALIDATOR COMBINATIONS	45
TABLE 18. MONETARY CHANNEL ASSEMBLY	47

TABLE 19. COIN RECEPTACLE ASSEMBLY	49
TABLE 20. DOOR LOCK ASSEMBLY	51
TABLE 21. STANDARD DOOR LOCK AND HANDLE ASSEMBLY	53
TABLE 22. MILLENNIA DOOR LOCK AND HANDLE ASSEMBLY	55
TABLE 23. MECH AND CANISTER ASSEMBLY - 4 COLUMN 12/18 OZ.	57
TABLE 24. TURRET AND CANISTER ASSEMBLY - 12/18 OZ.	59
TABLE 25. 12 - 18 OZ. MECHANISM ASSEMBLY	61
TABLE 26. CUP RING ASSEMBLY - 12-16 OZ.	63
TABLE 27. MECH AND CANISTER ASSEMBLY - 11 COLUMN	65
TABLE 28. TURRET AND CANISTER ASSEMBLY - 7 COLUMN	67
TABLE 29. TURRET AND CANISTER ASSEMBLY - 4 COLUMN	69
TABLE 30. MECHANISM ASSEMBLY - 11 COLUMN	71
TABLE 31. CUP RING ASSEMBLY (5 OZ TO 12 OZ)	73
TABLE 32. AUTOMATIC DELIVERY DOOR	75
TABLE 33. FLUORESCENT LAMP ASSEMBLY AND BALLAST	77
TABLE 34. DISPLAY ASSEMBLY (PART 1 OF 2)	79
TABLE 35. DISPLAY ASSEMBLY (PART 2 OF 2)	81
TABLE 36. MISCELLANEOUS MOUNTED PARTS - CABINET (PART 1 OF 6)	83
TABLE 37. MISCELLANEOUS MOUNTED PARTS - CABINET (PART 2 OF 6)	85
TABLE 38. MISCELLANEOUS MOUNTED PARTS - CABINET (PART 3 OF 6)	87
TABLE 39. MISCELLANEOUS MOUNTED PARTS - CABINET (PART 4 OF 6)	89
TABLE 40. MISCELLANEOUS MOUNTED PARTS - CABINET (PART 5 OF 6)	91
TABLE 41. MISCELLANEOUS MOUNTED PARTS - CABINET (PART 6 OF 6)	93
TABLE 42. BRACKET, BLOWER, AND COVER ASSEMBLY	95
TABLE 43. HOT WATER TANK ASSEMBLY	97
TABLE 44. WATER TANK LID ASSEMBLY	99
TABLE 45. SERVICE LIGHT/BRACKET ASSEMBLY	101
TABLE 46. SERVICE LIGHT/BRACKET ASSEMBLY - 230 VOLTS	103
TABLE 47. CUP DELIVERY ASSEMBLY	105
TABLE 48. CUP STATION SUPPORT, OVERFLOW SWITCH, AND CUP SENSOR	107
TABLE 49. SUPPORT ASSEMBLY - CUP STATION	109
TABLE 50. OVERFLOW SWITCH ASSEMBLY	111
TABLE 51. ICEMAKER ASSEMBLY (PART 1 OF 8)	113
TABLE 52. ICEMAKER ASSEMBLY (PART 2 OF 8)	115
TABLE 53. ICEMAKER ASSEMBLY (PART 3 OF 8)	117
TABLE 54. ICEMAKER ASSEMBLY (PART 4 OF 8) - GEAR AND MOTOR ASSEMBLY	119
TABLE 55. ICEMAKER ASSEMBLY (PART 5 OF 8) - HOPPER AND EVAPORATOR ASSEMBLY	121
TABLE 56. ICEMAKER ASSEMBLY (PART 6 OF 8) - CONTROL ASSEMBLY - ICE LEVEL	123
TABLE 57. ICEMAKER ASSEMBLY (PART 7 OF 8) - WATER FEEDER ASSEMBLY	125
TABLE 58. ICEMAKER ASSEMBLY (PART 8 OF 8) - PUMP AND VALVE ASSEMBLY - COOL-SAN	127
TABLE 59. POWER PANEL ASSEMBLY - U.S./MEXICO	129
TABLE 60. POWER PANEL ASSEMBLY - U.K.	131
TABLE 61. POWER PANEL ASSEMBLY - 230 V - FRANCE/GERMANY	133
TABLE 60. FILTER LOCATOR AND BRACKET ASSEMBLY	135
TABLE 61. SINGLE BREWER ASSEMBLY (NO FILTER)	137
TABLE 62. SINGLE BREWER ASSEMBLY (WITH FILTER)	139
TABLE 63. BARREL ASSEMBLY - SINGLE BREWER	141
TABLE 64. RACK ASSEMBLY - SINGLE BREWER	142
TABLE 65. PAPER MECHANISM ASSEMBLY - SINGLE BREWER	143
TABLE 66. BREWER DRIVE ASSEMBLY	145
TABLE 67. FILTER PAPER HOUSING AND BRACKET ASSEMBLY	146
TABLE 68. CANISTER POSITIONS	147

Twin Drink Center Parts Manual

TABLE	PAGE
TABLE 69. CANISTER ASSEMBLY 6537023	149
TABLE 70. CANISTER ASSEMBLY 6537024	151
TABLE 71. CANISTER ASSEMBLY 6237446	153
TABLE 72. CANISTER ASSEMBLY 6537022	155
TABLE 73. CANISTER ASSEMBLY 3637020	157
TABLE 74. CANISTER ASSEMBLY 6237423	159
TABLE 75. CANISTER ASSEMBLY 6537025	161
TABLE 76. PRODUCT AND CONDIMENT CHUTES	163
TABLE 77. PRODUCT DELIVERY CHUTE ASSEMBLY USAGE	165
TABLE 80 A. delivery chute 6237293 parts	165
TABLE 80 B. delivery chute 6237281 parts	165
TABLE 81. CANISTER SUPPORT CHANNEL ASSEMBLY	167
TABLE 82. MIXING BOWL AND WHIPPER POSITIONS	169
TABLE 83. MIXING BOWL AND WHIPPER ASSEMBLIES	171
TABLE 84. REGULATOR ASSEMBLY	173
TABLE 85. VENTILATION ASSEMBLIES	175
TABLE 86. SHELF VENT ASSEMBLIES	177
TABLE 87. VENT ASSEMBLIES	179
TABLE 88. INGREDIENT DRAIN TRAY ACCESSORY	181
TABLE 89. MOTOR AND PLATE ASSEMBLY	183
TABLE 90. MOTOR POSITION USAGE - BRZ./MEX./U.S.	184
TABLE 91. AIR COMPRESSOR - 115 VOLTS	187
TABLE 92. AIR COMPRESSOR - 230 VOLTS	189
TABLE 93. COLD SECTION - MISCELLANEOUS MOUNTED PARTS	191
TABLE 94. CARBONATOR PUMP ASSEMBLY	193
TABLE 95. COLD PLATE ASSEMBLY	195
TABLE 96. CARBONATOR FINAL ASSEMBLY	197
TABLE 97. VALVE AND REGULATOR ASSEMBLY	199
TABLE 98. SINGLE INLET VALVE ASSEMBLY	201
TABLE 99. WATER SUPPLY - WITH HYDROLIFE WATER FILTER OPTION	203
TABLE 100. PUMP AND BRACKET ASSEMBLY	205
TABLE 101. BAG-IN-BOX CONNECTORS	207
TABLE 102. SYRUP TANK COMPONENTS	209
TABLE 103. INTERLOCK SWITCH AND BRACKET	211

Twin Drink Center Parts Manual

TABLE PAGE

Twin Drink Center Parts Manual

TABLE 1. 363/364/365 MERCHANDISER

INDEX	PART NUMBER	DESCRIPTION	QTY
1	3631132	CABINET ASSEMBLY	1
2	3632120	DOOR ASSEMBLY	1
3	3631104	BASE PLATE ASSEMBLY	OPT.

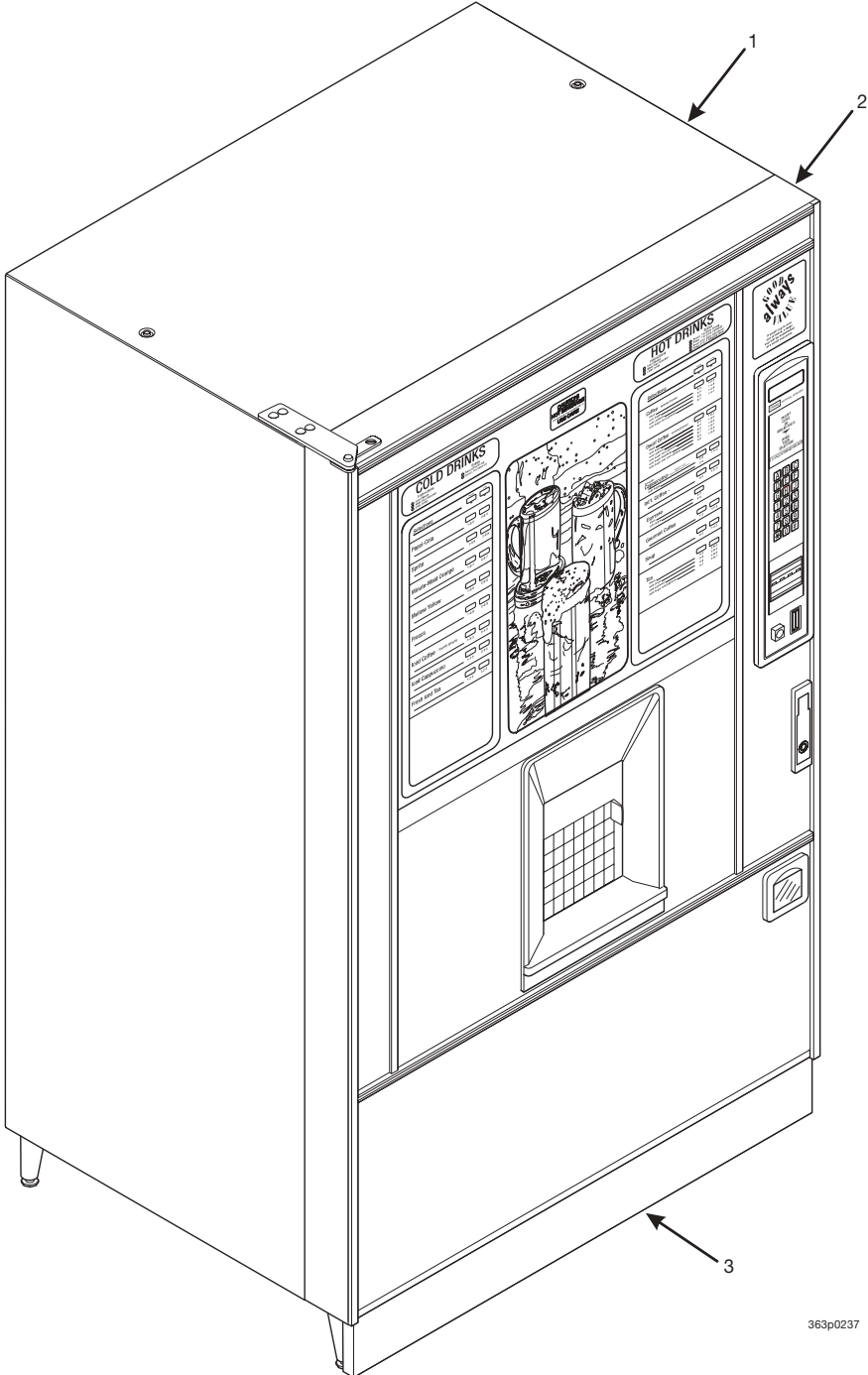


Figure 1. 363/364/365 Merchandiser

Twin Drink Center Parts Manual

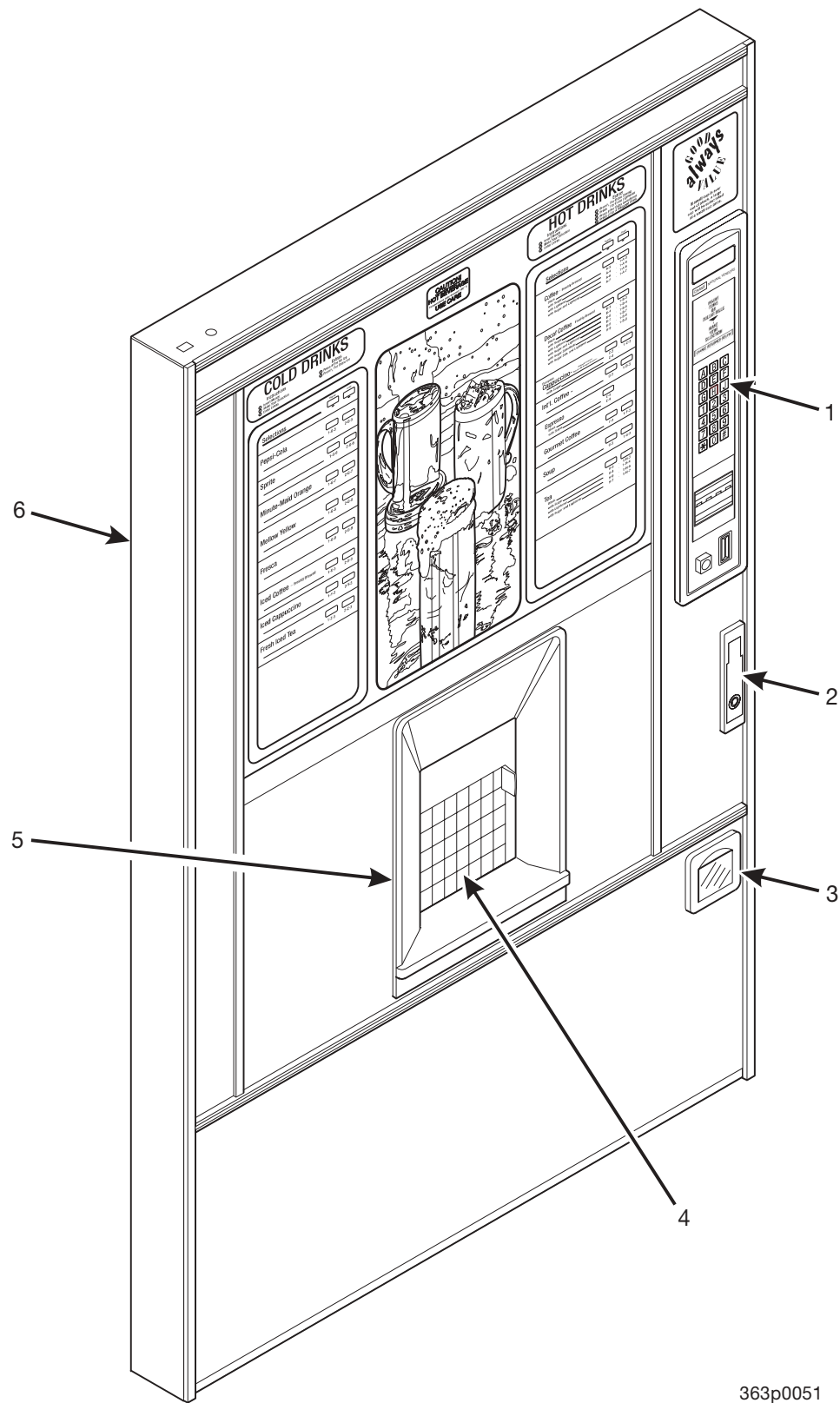


Figure 2 . Door Assembly - Exterior

Twin Drink Center Parts Manual

TABLE 2. DOOR ASSEMBLY - EXTERIOR

INDEX	PART NUMBER	DESCRIPTION	QTY.
1	3630733	MONETARY - STANDARD - DOMESTIC (SEE FIGURE 16 FOR DETAILS)	1
2	-	DOOR LOCK AND HANDLE ASSEMBLY (SEE FIGURE 21 FOR DETAILS)	1
3	-	COIN RECEPTACLE ASSEMBLY (SEE FIGURE 19 FOR DETAILS)	1
4	6230805	AUTOMATIC DELIVERY DOOR (SEE FIGURE 32 FOR DETAILS)	1
5	3152045	FRAME - CUP DELIVERY DOOR	1
6	3632120	DOOR ASSEMBLY - STANDARD (SHOWN)	OPT.
	3632118	DOOR ASSEMBLY - MILLENIA (NOT SHOWN)	

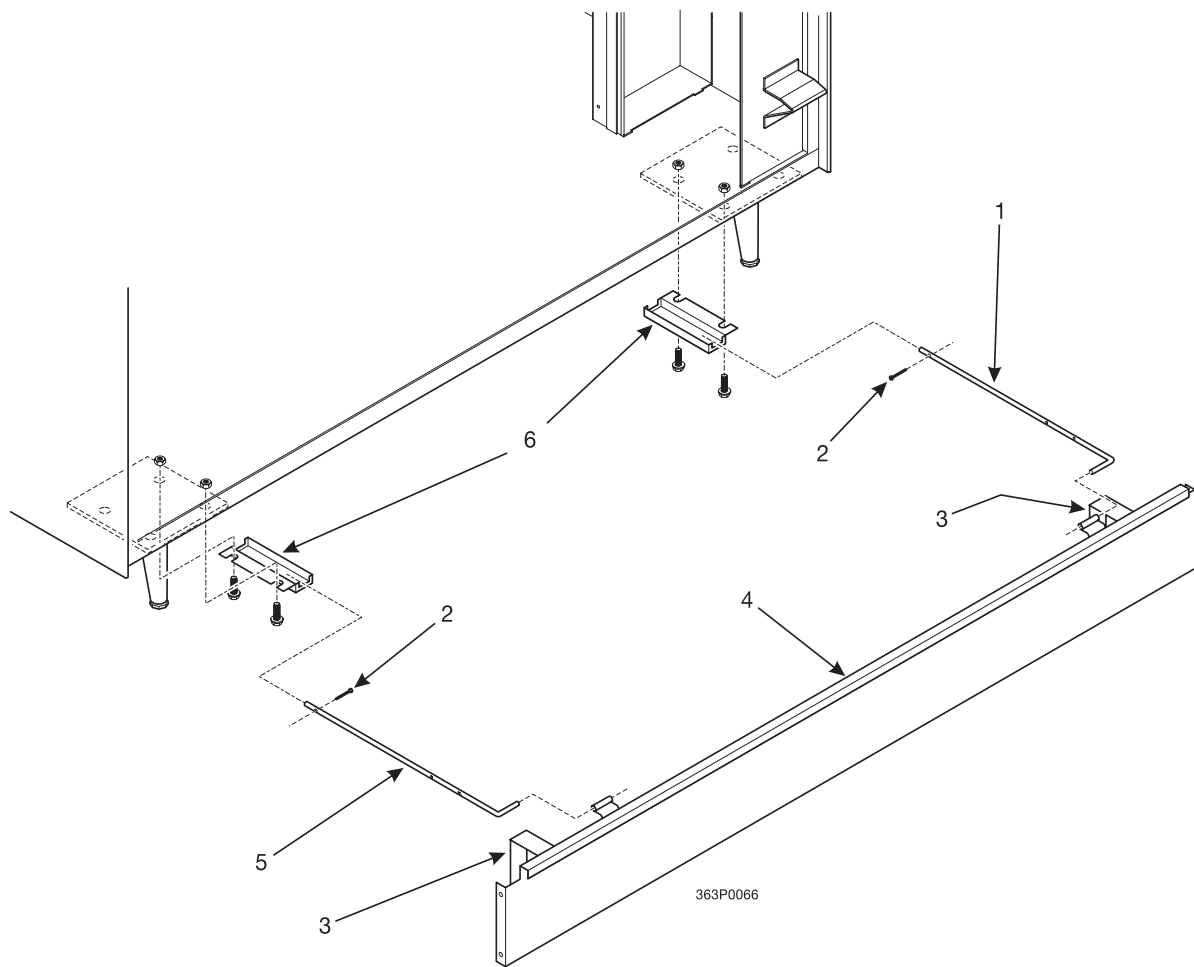


Figure 3 . Base Plate Assembly

TABLE 3. BASE PLATE ASSEMBLY

INDEX	PART NUMBER	DESCRIPTION	QTY.
1	4551154	SLIDE - BASE PLATE - R.H.	1
2	9900098	COTTER PIN 3/32 X 3/4 IN	2
3	3631108	BUMPER - BASE PLATE	2
4	3631106	BASE PLATE ASSEMBLY	1
5	4551153	SLIDE - BASE PLATE - L.H.	1
6	6231087	BRACKET - BASE PLATE	2

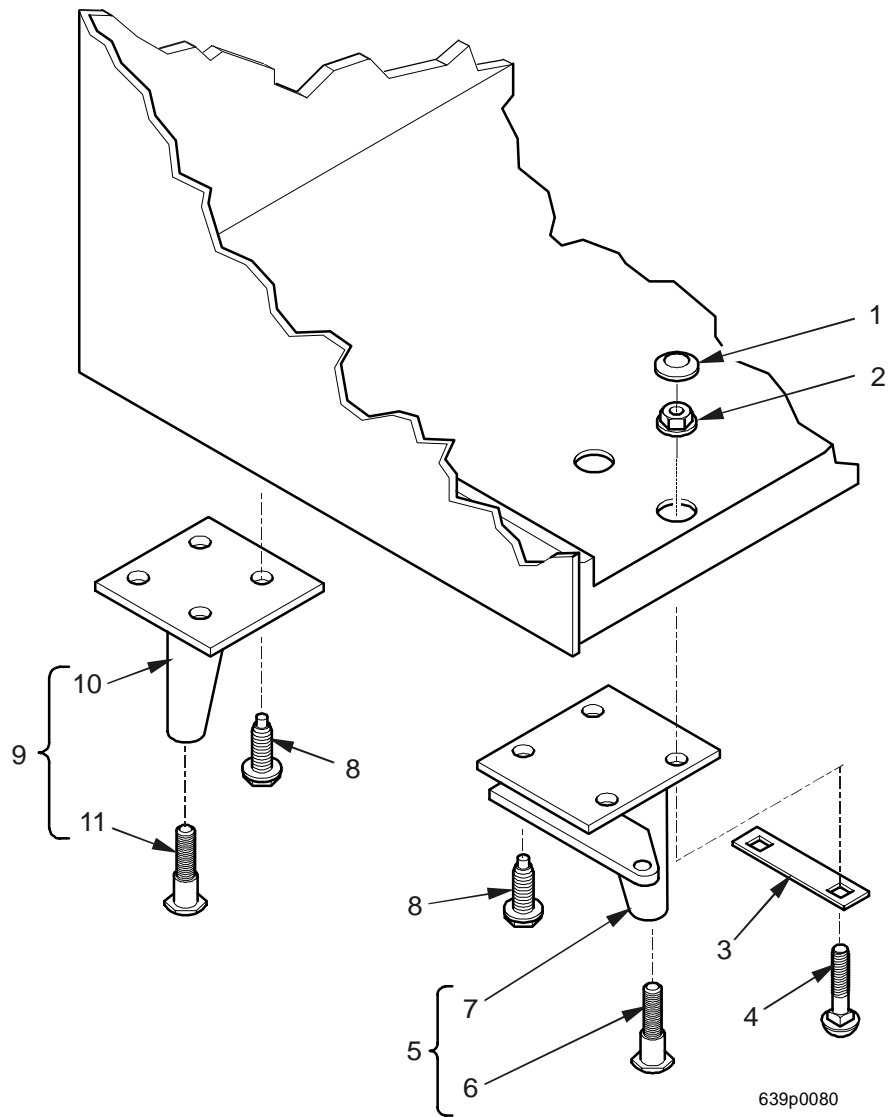


Figure 4 . Leg, Leveler, and Leg and Hinge Assemblies

TABLE 4. LEG, LEVELER, AND LEG AND HINGE ASSEMBLIES

INDEX	PART NUMBER	DESCRIPTION	QTY.
1	6231034	PLUG - HOLE (NOT USED IN ALL APPLICATIONS)	2
2	1172021	NUT - 1/4-20 WHIZ-LOCK	2
3	6231203	PLATE - HINGE LEG BOLT	1
4	1211112	TRAY BOLT	2
5	6231163	LEG, HINGE, AND LEVELER ASSEMBLY	1
6	1471098	LEVELER - CABINET	1
7	1571115	LEG AND HINGE ASSEMBLY	1
8	9900218	SCREW - # 5/16 X 1 W/LOCKING RING	14
9	1471237	LEG AND LEVELER ASSEMBLY - CABINET	3
10	1571127	LEG ASSEMBLY - CABINET	1
11	1471098	LEVELER - CABINET	1

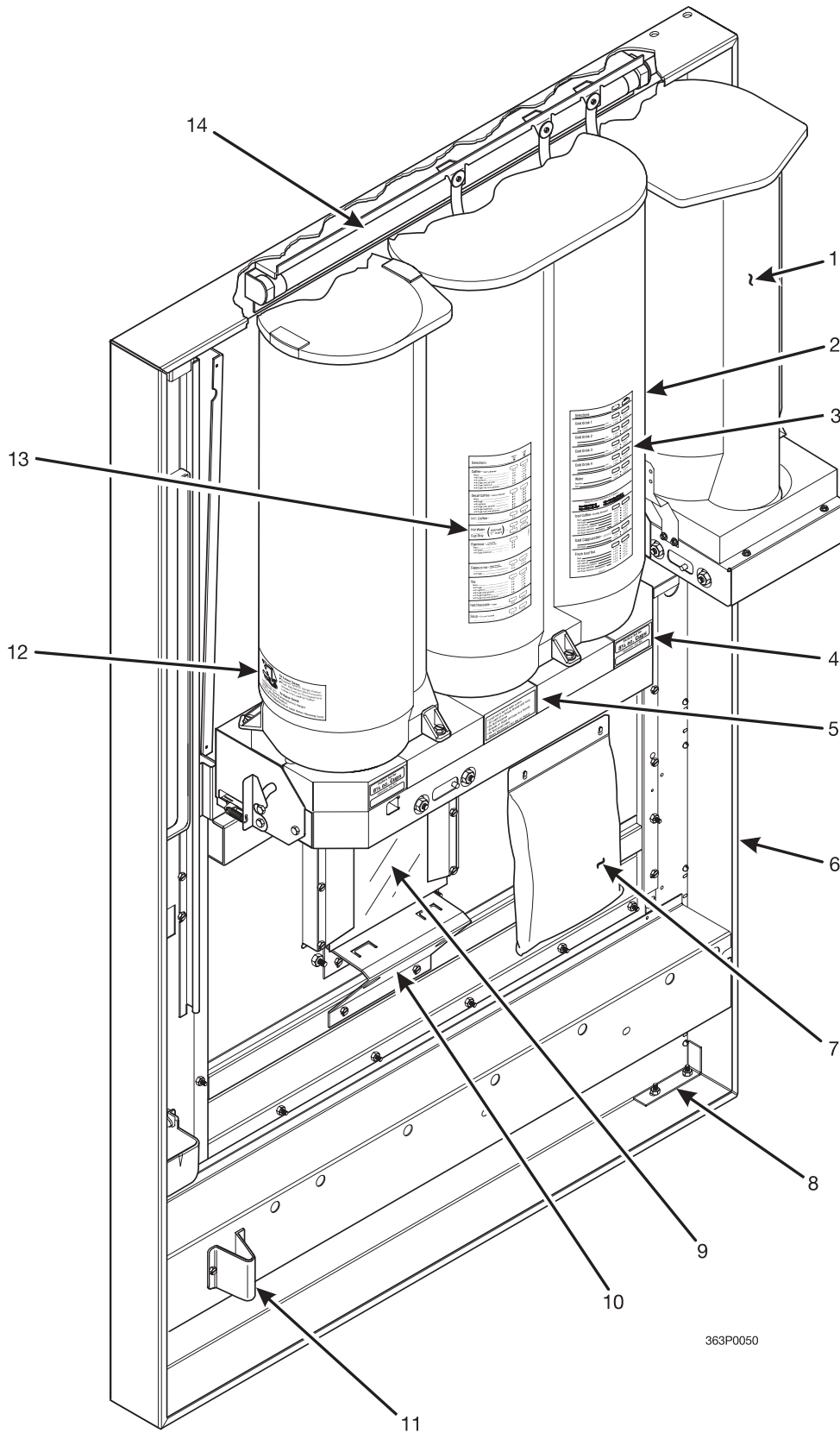


Figure 5. Door Assembly - Interior

Twin Drink Center Parts Manual

TABLE 5. DOOR ASSEMBLY - INTERIOR

INDEX	PART NUMBER	DESCRIPTION	QTY.
1	3633021	MECHANISM AND CANISTER ASSEMBLY - 4 COLUMN (SEE FIGURE 23 FOR DETAILS)	OPT.
2	6233100	MECH & CANISTER ASSEMBLY - 11 COL (SEE FIGURE 27 FOR DETAILS)	1
3			1
4	6233073 6231218 6233073	LABEL - CUP SIZE "A1"	1
5	6233074	LABEL - CUP TURRET LOADING	1
6	3632001	DOOR WELD (COMMON)	1
	3632121	DOOR WELD (MILLENNIA)	
7	B3630000	BAG ASSEMBLY - U.S.	1
8	-	HINGE ASSEMBLY (SEE FIGURE 15 FOR DETAILS)	1
9	6230805	AUTOMATIC DELIVERY DOOR (SEE FIGURE 32 FOR DETAILS)	1
10	6332025	LIFT BRACKET - CUP STATION	1
11	6231164	BRACKET-DOOR SUPPORT	1
12	6232170	LABEL - LATCH RELEASE	1
13	6232190	LABEL - MENU - U.S./U.K.	1
14	6232102	LIGHT ASSEMBLY - DISPLAY (SEE FIGURE 33 FOR DETAILS)	1

Twin Drink Center Parts Manual

TABLE 6. BAG ASSEMBLY PARTS B3630004 - U.S.

NOTE: Parts not shown

PART NUMBER	DESCRIPTION	QTY.
1300018	BAG PLASTIC	1
3118047	WRENCH SPANNERALCO #X11981	1
3120008	CARD - RECORD OF CLEANING	1
3158026	LABEL - EVERPURE - SMALL - 7001 - 07	1
3167023	REMOVAL TOOL - PUMP SNAP	1
3167171	HOSE SPLICER - JUICE - L&M #4001	1
3630010	DOCUMENTATION PACKAGE (INCLUDES THE NEXT 3 ITEMS)	1
3630007	QUICK START	1
3630008	OPERATOR'S GUIDE	1
PS363001	PLUMBING SCHEMATIC - TWIN CENTER	1
3630011	W.D.PACKAGE - 115V - DOMESTIC (CONTAINS THE FOLLOWING 1 ITEM)	1
WD3630009	W.D. TWIN DRINK CENTER - 115V	1
3632026	INSERT - SEL - REGLG. - TOP - ENGLISH	2
3632027	INSERT - SYRUP - CARB. SEL. 5	1
3632028	INSERT - SYRUP - NONCARB - SEL5 - EN	1
3632029	INSERT - SYRUP - CARB. SEL. 6	1
3632030	INSERT - SYRUP - CARB. SEL. 7	1
3632031	INSERT - SYRUP - CARB. SEL. 8	1
3632032	INSERT - ICED - SM/MED - SELECTION X - FUL	1
3632035	INSERT - WATER - ENGLISH	1
3632036	INSERT - SYRUP - NON CARB - SEL 6	1
3632037	INSERT - SYRUP - NON CARB - SEL 7	1
3632038	INSERT - SYRUP - NON CARB - SEL 8	1
3632039	INSERT - SYRUP - CARB/NONCARB/SE	1
3632040	INSERT - SYRUP - CARB/NON CARB - SEL 6 - USA ENGLISH	1
3632041	INSERT - SYRUP - CARB/NON CARB - SEL 7 - USA ENGLISH	1
3632042	INSERT - SYRUP - CARB/NON CARB - SEL 8 - USA ENGLISH	1
3632043	INSERT - ICED - MED/LG - SEL.Y - PART	1
3632045	INSERT - ICED - SM/MED - SEL Z - FULL	1
3632046	INSERT - ICED - MED/LG - SEL.X - FULL	1
3632048	INSERT - ICED - MED/LG - SEL.Z - FULL	1
3632051	INSERT - SELECTION - LARGE JUMBO - TOP - ENGLISH	1
3632076	LABEL - COLD DRINK FLAVORS - #1 - ENGLISH	1
3632077	LABEL - COLD DRINK FLAVORS - #2 - ENGLISH	1
3632078	LABEL - COLD DRINK FLAVORS - #3 - ENGLISH	1
3632079	LABEL - ICED COFFEE DRINKS - ENGLISH	1
3632105	INSERT - EXTRAS - ICED - ENGLISH - USA	1

Twin Drink Center Parts Manual

TABLE 6. BAG ASSEMBLY PARTS B3630004 - U.S. (CONTINUED)

NOTE: Parts not shown

PART NUMBER	DESCRIPTION	QTY.
3632109	LABEL - CUP 12/18 OZ - \$1.10/\$3.	1
6230066	LABEL - "SAVE 5¢ USING MUG" - DOM	1
6230067	LABEL - "ALWAYS GOOD VALUE"	1
6230071	LABEL - FRENCH VANILLA CAFE	1
6232041	PLATE - DISPLAY LABEL	1
6232051	INSERT - COFFEE	1
6232052	INSERT - DECAF COFFEE	1
6232054	INSERT - CAPPUCINO	1
6232055	INSERT - INT'L COFFEE	1
6232056	INSERT - TEA	1
6232057	INSERT - HOT CHOCOLATE	1
6232058	INSERT - SOUP - CHICKEN/BEEF	1
6232061	LABEL - MUG OPTION	1
6232062	LABEL - WINNERS MODE	1
6232080	LABEL - PRICE, CUP SIZE, BLANK	2
6232086	LABEL - SELECTION - BLANK	1
6232088	LABEL - 1/2 COVERUP - LABEL - INST	1
6232207	INSERT - ESPRESSO	1
6232325	INSERT - ESPRESSO/CAFE LATTE'	1
6237063	NOZZLE - DISPENSING - CANISTER	2
6237117	REMOVAL TOOL - IMPELLER	1
6237347	VINYL CAP - 1.00 I.D. X 0.50 LONG	9
6332027	INSERT - EUROPEAN CAPUCCINO	1
6408143	LOCKING CLIP - PI-C1812R	2

Twin Drink Center Parts Manual

TABLE 7. BAG ASSEMBLY PARTS B3630005 - U.K.
NOTE: Parts not shown

PARTNUMBER	DESCRIPTION	QTY.
1300018	BAG PLASTIC	1
3118047	WRENCH SPANNERALCO #X11981	1
3118088	LABEL C02 PRESSURE SETTING	1
3120008	CARD - RECORD OF CLEANING	1
3158026	LABEL - EVERPURE - SMALL - 7001 - 07	1
3630010	DOCUMENTATION PACKAGE (INCLUDES THE NEXT 3 ITEMS)	1
3630007	QUICK START	1
3630008	OPERATOR'S GUIDE	1
PS363001	PLUMBING SCHEMATIC - TWIN CENTER	1
3630012	WIRING DIAGRAM PACKAGE - 230V - INT'L - EXEC. (INCLUDES THE NEXT ITEM)	1
WD363010	WIRING DIAGRAM - TWIN DRINK CENTER - 230V - INT	1
3632026	INSERT - SEL - REGLG. - TOP - ENGL.	2
3632027	INSERT - SYRUP - CARB.SEL.5	1
3632028	INSERT - SYRUP - NONCARB - SEL5 - EN	1
3632029	INSERT - SYRUP - CARB.SEL.6	1
3632030	INSERT - SYRUP - CARB.SEL.7	1
3632031	INSERT - SYRUP - CARB.SEL.8	1
3632032	INSERT - ICED - SM/MED - SEL X - FUL	1
3632036	INSERT - SYRUP - NON CARB - SEL 6 -	1
3632037	INSERT - SYRUP - NON CARB - SEL 7 -	1
3632038	INSERT - SYRUP - NON CARB - SEL 8 -	1
3632043	INSERT - ICED - MED/LG - SEL.Y - PAR	1
3632045	INSERT - ICED - SM/MED - SEL Z - FUL	1
3632046	INSERT - ICED - MED/LG - SEL.X - FUL	1
3632048	INSERT - ICED - MED/LG - SEL.Z - FUL	1
3632051	INSERT - SEL - LG.JUMBO - TOP - ENGL	1
3632070	INSERT - "WATER" - U.K. - ENGLISH	1
3632071	INSERT - SYRUP - SPARKLING/STILL	1
3632072	INSERT - SYRUP - SPARKLING/STILL	1
3632073	INSERT - SYRUP - SPARKLING/STILL	1
3632074	INSERT - SYRUP - SPARKLING/STILL	1
3632076	LABEL - COLD DRINK FLAVORS - #1 -	1
3632077	LABEL - COLD DRINK FLAVORS - #2 -	1
3632078	LABEL - COLD DRINK FLAVORS - #3 -	1
3632079	LABEL - ICED COFFEE DRINKS - ENG	1
3632106	INSERT - EXTRAS - ICED - ENGL. - U.K	1
3638072	LABEL - CARBONATOR - AIR REMOVAL	1

Twin Drink Center Parts Manual

TABLE 7. BAG ASSEMBLY PARTS B3630005 - U.K. (CONTINUED)

NOTE: Parts not shown

PARTNUMBER	DESCRIPTION	QTY.
6230067	LABEL - "ALWAYS GOOD VALUE"	1
6232055	INSERT - INT'L COFFEE	1
6232057	INSERT - HOT CHOCOLATE	1
6232058	INSERT - SOUP - CHICKEN/BEEF	1
6232061	LABEL - MUG OPTION	1
6232062	LABEL - WINNERS MODE	1
6232086	LABEL - SELECTION - BLANK	1
6232088	LABEL - 1/2 COVERUP - LABEL - INST	1
6232124	LABEL - PRICE - U.K. - RANGE 36P/4	2
6232125	LABEL - PRICE - U.K. - RANGE 5P/36	2
6232150	INSERT - COFFEE - U.K.	1
6232151	INSERT - DECAF COFFEE - U.K.	1
6232152	INSERT - TEA - FB - U.K.	1
6232157	INSERT - CAPPUCINO - U.K.	1
6232175	LABEL - COVER-UPS - HOT DRINK - U.K.	1
6232177	LABELS - SEL - ALT - SOUPS&TEAS - UK	1
6232207	INSERT - ESPRESSO	1
6232325	INSERT - ESPRESSO/CAFE LATTE'	1
6237063	NOZZLE - DISPENSING - CANISTER	2
6237063	NOZZLE - DISPENSING - CANISTER	2
6237080	NOZZLE - DISPENSING - F.D.COFFEE	5
6237117	REMOVAL TOOL - IMPELLER	1
6237347	VINYL CAP - 1.00 I.D. X .50 LONG	9
6332027	INSERT - EUROPEAN CAPUCCINO	1
6408143	LOCKING CLIP - PI-C1812R	2

Twin Drink Center Parts Manual

TABLE 8. BAG ASSEMBLY PARTS B3630007 - GERMANY

NOTE: Parts not shown

PARTNUMBER	DESCRIPTION	QTY.
1300018	BAG PLASTIC	1
3118047	WRENCH SPANNERALCO #X11981	1
3120008	CARD - RECORD OF CLEANING	1
3158026	LABEL - EVERPURE - SMALL - 7001 - 07	1
3630010	DOCUMENTATION PACKAGE (INCLUDES THE NEXT 3 ITEMS)	1
3630007	QUICK START	1
3630008	OPERATOR'S GUIDE	1
PS363001	PLUMBING SCHEMATIC - TWIN CENTER	1
3632027	INSERT - SYRUP - CARB. SEL. 5	1
3632028	INSERT - SYRUP - NONCARB - SEL. 5 - EN	1
3632029	INSERT - SYRUP - CARB. SEL. 6	1
3632030	INSERT - SYRUP - CARB. SEL. 7	1
3632031	INSERT - SYRUP - CARB. SEL. 8	1
3632036	INSERT - SYRUP - NON CARB - SEL. 6	1
3632037	INSERT - SYRUP - NON CARB - SEL. 7	1
3632038	INSERT - SYRUP - NON CARB - SEL. 8	1
6232088	LABEL - 1/2 COVERUP - LABEL - INST	1
6237063	NOZZLE - DISPENSING - CANISTER	2
6237117	REMOVAL TOOL - IMPELLER	1
6237347	VINYL CAP - 1.00 I.D. X 0.50 LONG	9
3118088	LABEL - C02 PRESSURE SETTING	1
3167023	REMOVAL TOOL - PUMP SNAP	1
3167171	HOSE SPLICER - JUICE - L&M #4001	1
3630011	WIRING DIAGRAM PACKAGE - 230V - INT'L - EXEC. (INCLUDES THE NEXT ITEM)	1
WD363009	WIRING DIAGRAM - TWIN DRINK CENTER - 230V	1
3632080	INSERT - SYRUP - CARB/NON CARB - S	1
3632081	INSERT - SYRUP - CARB/NON CARB - S	1
3632082	INSERT - SYRUP - CARB/NON CARB - S	1
3632083	INSERT - SYRUP - CARB/NON CARB - S	1
3632088	INSERT - ICED - SM/MED - SEL X - FUL	1
3632089	INSERT - ICED - SM/MED - SEL Z - FUL	1
3632090	INSERT - "WATER" - GERMAN	1
3632091	INSERT - ICED - MED/LG - SEL Z - FUL	1
3632092	INSERT - ICED - MED/LG - SEL X - FUL	1
3632093	INSERT - ICED - SEL Y - PART COND.	1
3632094	INSERT - SELECTIONS - TOP - GERMAN	2
3632095	INSERT - SELECTIONS - LG/JUMBO - T	1

Twin Drink Center Parts Manual

TABLE 8. BAG ASSEMBLY PARTS B3630007 - GERMANY (CONTINUED)

NOTE: Parts not shown

PARTNUMBER	DESCRIPTION	QTY.
3632098	LABEL A - COLD DRINK FLV. - GERMAN	1
3632099	LABEL B - COLD DRINK FLV. - GERMAN	1
3632100	LABEL - ICED COFFEE DRINKS - GERMAN	1
3632108	INSERT - EXTRAS - ICED - GERMAN	1
3638072	LABEL - CARBONATOR - AIR REMOVAL	1
6232030	WELD NUT - 5/16 - 18 LOCKING	1
6232064	LABEL - COF COVER UPS - GERMAN	1
6232128	LABEL - WINNERS MODE - GERMAN	1
6232136	INSERT - COFFEE - GERMAN	1
6232137	INSERT - HOT CHOCOLATE - GERMAN	1
6232138	INSERT - "RINDFLEISCHSUPPE" - GERMAN	1
6232139	INSERT - INTERNATIONAL COF - GERMAN	1
6232140	INSERT - DECAF COFFEE - GERMAN	1
6232141	INSERT - TEA - GERMAN	1
6232173	LABEL - MUG OPTION - GERMAN	1
6232184	LABEL - SOUP - ALT CHOICE - GERMAN	1
6232195	INSERT - SEL. - ESPRESSO - GERMAN	1
6232198	LABEL - SAVE 5PF USING MUG - GERMAN	1
6232218	LABEL - SAVE 10PF USING MUG - GERMAN	1
6332030	INSERT - CAPPUCINO - GERMAN	1
6233115	FUNNEL & INSERT ASSEMBLY	1
6233007	FUNNEL - 3.25 CUP DIAMETER	1
6233114	FUNNEL INSERT - 2.800 DIAMETER	1
6408143	LOCKING CLIP - PI-C1812R	2
6532008	LABELS - EUROCOIN - ,05/1,00	1
6532009	LABELS - EUROCOIN - 1,05/2,00	1
6532012	LABELS - EUROCOIN - 2,05/3,00	1

Twin Drink Center Parts Manual

TABLE 9. BAG ASSEMBLY PARTS B3630002 - FRANCE

NOTE: Parts not shown

PARTNUMBER	DESCRIPTION	QTY.
1300018	BAG PLASTIC	1
3118047	WRENCH - SPANNER - ALCO #X11981	1
3120008	CARD - RECORD OF CLEANING	1
3158026	LABEL - EVERPURE - SMALL - 7001 - 07	1
3630010	DOCUMENTATION PACKAGE (INCLUDES THE NEXT 3 ITEMS)	1
3630007	QUICK START	1
3630008	OPERATOR'S GUIDE	1
PS363001	PLUMBING SCHEMATIC - TWIN CENTER	1
6330041	INSTRUCTIONS - CANISTER MOD FOR 12 OZ	1
3632027	INSERT - SYRUP - CARB. SEL. 5	1
3632028	INSERT - SYRUP - NON CARB - SEL. 5 - EN	1
3632029	INSERT - SYRUP - CARB. SEL. 6	1
3632030	INSERT - SYRUP - CARB. SEL. 7	1
3632031	INSERT - SYRUP - CARB. SEL. 8	1
3632036	INSERT - SYRUP - NON CARB - SEL. 6 -	1
3632037	INSERT - SYRUP - NON CARB - SEL. 7 -	1
3632038	INSERT - SYRUP - NON CARB - SEL. 8 -	1
6232088	LABEL - 1/2 COVER UP - LABEL - INST	1
6237063	NOZZLE - DISPENSING - CANISTER	2
6237117	REMOVAL TOOL - IMPELLER	1
6237347	VINYL CAP - 1.00 I.D. X 0.50 LONG	9
3118088	LABEL C02 PRESSURE SETTING	1
3167023	REMOVAL TOOL - PUMP SNAP	1
3167171	HOSE SPLICER - JUICE - L&M #4001	1
3630035	LIST - BAG ASSEMBLY B3630002 CONTENTS	1
3630012	WIRING DIAGRAM PACKAGE - 230V - INT'L - EXEC. (INCLUDES THE NEXT ITEM)	1
WD363010	WIRING DIAGRAM - TWIN DRINK CENTER - 230V	1
3632032	INSERT - ICED - SM/MED - SEL X - FUL	1
3632054	INSERT - "WATER" - FRENCH	1
3632055	INSERT - SELECT - TOP - REG/LG - FR	2
3632056	INSERT - SELECT - TOP - LG/JUMBO -	1
3632057	INSERT - ICED - MED/LG - SEL X - FUL	1
3632058	INSERT - ICED - MED/LG - SEL Z - FUL	1
3632059	INSERT - ICED - SEL Y - PART COND.	1
3632060	INSERT - SYRUP - CARB/NON CARB - S	1
3632061	INSERT - SYRUP - CARB/NON CARB - S	1
3632062	INSERT - SYRUP - CARB/NON CARB - S	1

Twin Drink Center Parts Manual

TABLE 9. BAG ASSEMBLY PARTS B3630002 - FRANCE (Continued)

NOTE: Parts not shown

PARTNUMBER	DESCRIPTION	QTY.
3632063	INSERT - SYRUP - CARB/NON CARB - S	1
3632064	INSERT - ICED - SM/MED - SEL Z - FUL	1
3632101	LABEL - COLD DRINK FLV. - FRENCH	1
3632102	LABEL - ICED COFFEE FLV. - FRENCH	1
3632107	INSERT - EXTRAS - ICED - FRENCH	1
3638072	LABEL - CARBONATOR - AIR REMOVAL	1
6232106	INSERT - SEL - POTAGE TOMATE - FRENCH	1
6232108	INSERT - HOT CHOCOLATE - FRENCH	1
6232130	LABEL - MUG OPTION - FRENCH	1
6232131	LABEL - WINNERS MODE - FRENCH	1
6232161	LABEL - SOUP - ALT CHOICE - FRENCH	1
6232228	LABEL - SEL. - ALTERNATE - FRENCH	1
6232245	INSERT - SEL. - COFFEE - FRENCH	1
6232246	INSERT - COFFEE - "A" SEL. - FRENCH	1
6232247	INSERT - COFFEE - "B" SEL. - FRENCH	1
6232248	INSERT - COFFEE - "C" SEL. - FRENCH	1
6232249	INSERT - COFFEE - "F" SEL. - FRENCH	1
6232251	INSERT - CAPPUCINO - "E" SEL - FRENCH	1
6232252	INSERT - SELECTION (2ND) - FRENCH	1
6232253	INSERT - BLANK - "C" SEL. - FRENCH	1
6232256	INSERT - BLANK - FRENCH	1
6232258	LABEL - DRINK TYPES - FRENCH	1
6232259	LABELS - VOL. 4CL TO 16CL - FRENCH	1
6232260	LABELS - COFFEE GRNDS - TYPE - FRENCH	1
6232262	INSERT - "SELECTION D" - FRENCH.	1
6332029	INSERT - EUROPEAN CAPPUCINO	1
6332034	INSERT - AMERICAN CAPPUCINO	1
6408143	LOCKING CLIP - PI-C1812R	2
6532008	LABELS - EUROCOIN - ,05/1,00	1
6532009	LABELS - EUROCOIN - 1,05/2,00	1
6532012	LABELS - EUROCOIN - 2,05/3,00	1

Twin Drink Center Parts Manual

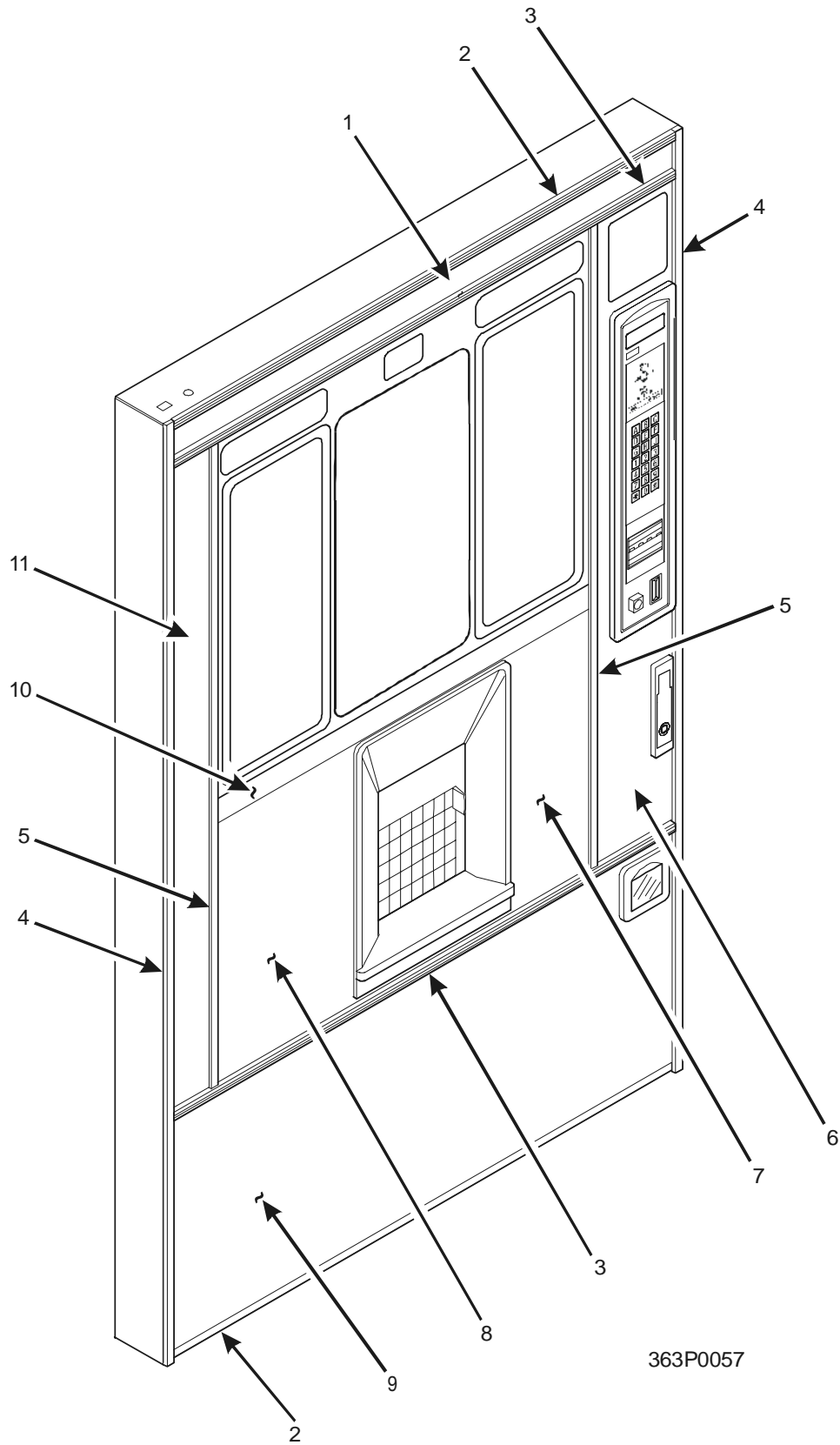


Figure 10. Trim and Panels - Imperial Crown and Signature Styles

TABLE 10. TRIM AND PANELS - IMPERIAL CROWN AND SIGNATURE STYLES

INDEX	PART NUMBER	DESCRIPTION	QTY.
1	-	PANEL - TOP (SEE TABLE 10 A FOR DETAILS)	1
2	3632009	TRIM - DOOR - BLACK - TRON (SIGNATURE STYLE ONLY)	2
	3632010	TRIM - DOOR - TOP & BOTTOM	
-	3632011	TRIM - INSERT	2
3	3632263	TRIM - DOOR - HORIZONTAL (IMPERIAL CROWN STYLE)	3
4	1302409	TRIM - DOOR-SIDE (CLEAR) (IMPERIAL CROWN STYLE)	2
	1452203	TRIM - DOOR-SIDE - BLACK - IBM (SIGNATURE STYLE)	
5	3152560	TRIM - VERTICAL	1
6	-	PANEL - RIGHT (SEE TABLE 10 B FOR DETAILS)	1
7	-	PANEL - RIGHT CENTER (SEE TABLE 10 C FOR DETAILS)	1
8	-	PANEL - LEFT CENTER (SEE TABLE 10 D FOR DETAILS)	1
9	-	PANEL - BOTTOM (SEE TABLE 10 E FOR DETAILS)	1
10	3632007	TRIM - HORIZONTAL - GLASS	1
11	-	PANEL - LEFT (SEE TABLE 10 F FOR DETAILS)	1

TABLE 10 A. PANEL - TOP (ITEM NUMBER 1) DETAIL

PART NUMBER	DESCRIPTION
3632012	PICA
3632227	PRESIDENTIAL WALNUT
3632228	LAMINATE
3632229	TEAK
3632230	VINYL SPECIAL
3632231	BLACK HAIRCEL
3632232	NUWHITE
3632233	STERLING
3632234	WHITE HAIRCEL
3632235	DOVE GREY
3632236	SLATE
3632265	BISON BLACK
3632266	PEWTER
3632267	BLANK

Twin Drink Center Parts Manual

TABLE 10 B. PANEL - RIGHT (ITEM NUMBER 7) DETAIL

PART NUMBER	DESCRIPTION
6332045	PORT AU PRINCE
6332100	STERLING
6332103	BLACK HAIRCEL
6332105	BLACK PICA
6332107	BLANK
6332109	COMPOSITION OAK
6332111	DOVEGREY
6332113	LAMINATE
6332115	MOROCCO GREY
6332117	NUWHITE
6332119	PEWTER
6332122	PRESIDENTIAL WALNUT
6332124	SLATE
6332126	TEAK
6332128	VINYL SPECIAL
6332130	WHITE HAIRCEL
6332137	BISON BLACK
6332140	STAINLESS STEEL

TABLE 10 C. PANEL - RIGHT CENTER (ITEM NUMBER 8) DETAIL

PART NUMBER	DESCRIPTION
3632015	STERLING
3632237	DOVE GREY
3632238	NUWHITE
3632239	TEAK
3632240	WHITE HAIRCELL

TABLE 10 D. PANEL - LEFT CENTER (ITEM NUMBER 9) DETAIL

PART NUMBER	DESCRIPTION
3632016	STERLING
3632256	DOVE GREY
3632257	NUWHITE
3632258	TEAK
3632259	WHITE HAIRCELL

Twin Drink Center Parts Manual

TABLE 10 E. PANEL - BOTTOM (ITEM NUMBER 10) DETAIL

PART NUMBER	DESCRIPTION
3632013	STERLING
3632241	STERLING - NO COIN RETURN
3632242	BISON BLACK
3632243	BLACK HAIRCEL
3632244	BLACK PICA
3632245	BLANK
3632246	COMPOSITION OAK
3632247	DOVE GREY
3632248	LAMINATE
3632249	NUWHITE
3632250	PEWTER
3632251	PRESIDENTIAL WALNUT
3632252	SLATE
3632253	TEAK
3632254	VINYL SPECIAL
3632255	WHITE HAIRCEL
3632268	PRESIDENTIAL WALNUT - NO COIN RETURN
3632269	PICA - NO COIN RETURN
3632270	SLATE - NO COIN RETURN

TABLE 10 F. PANEL - LEFT (ITEM NUMBER 12) DETAIL

PART NUMBER	DESCRIPTION
6232017	COMPOSITION OAK
6232019	PRESIDENTIAL WALNUT
6232039	STERLING
6232072	DOVE GREY
6232165	NUWHITE
6232180	TEAK
6232188	BLANK
6232192	LAMINATE
6232201	PEWTER
6232221	VINYL SPECIAL
6232225	SLATE
6232232	WHITE HAIRCEL
6232241	BLACK HAIRCEL
6232311	BLACK PICA
6232323	MOROCCO GREY
6332044	PORT AU PRINCE

Twin Drink Center Parts Manual

TABLE 10 F. PANEL - LEFT (ITEM NUMBER 12) DETAIL

PART NUMBER	DESCRIPTION
6332138	BISON BLACK
6332139	STAINLESS STEEL

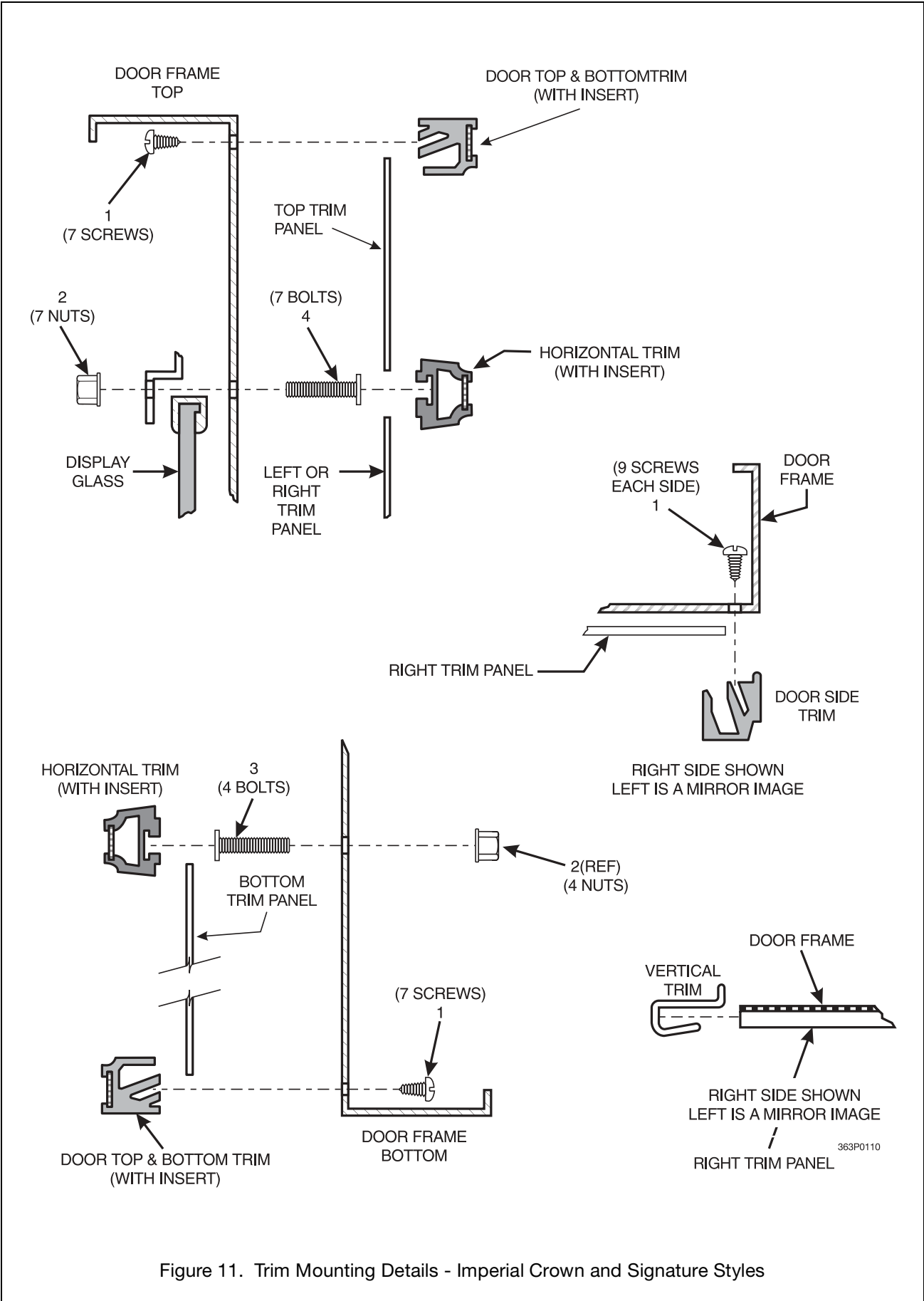


Figure 11. Trim Mounting Details - Imperial Crown and Signature Styles

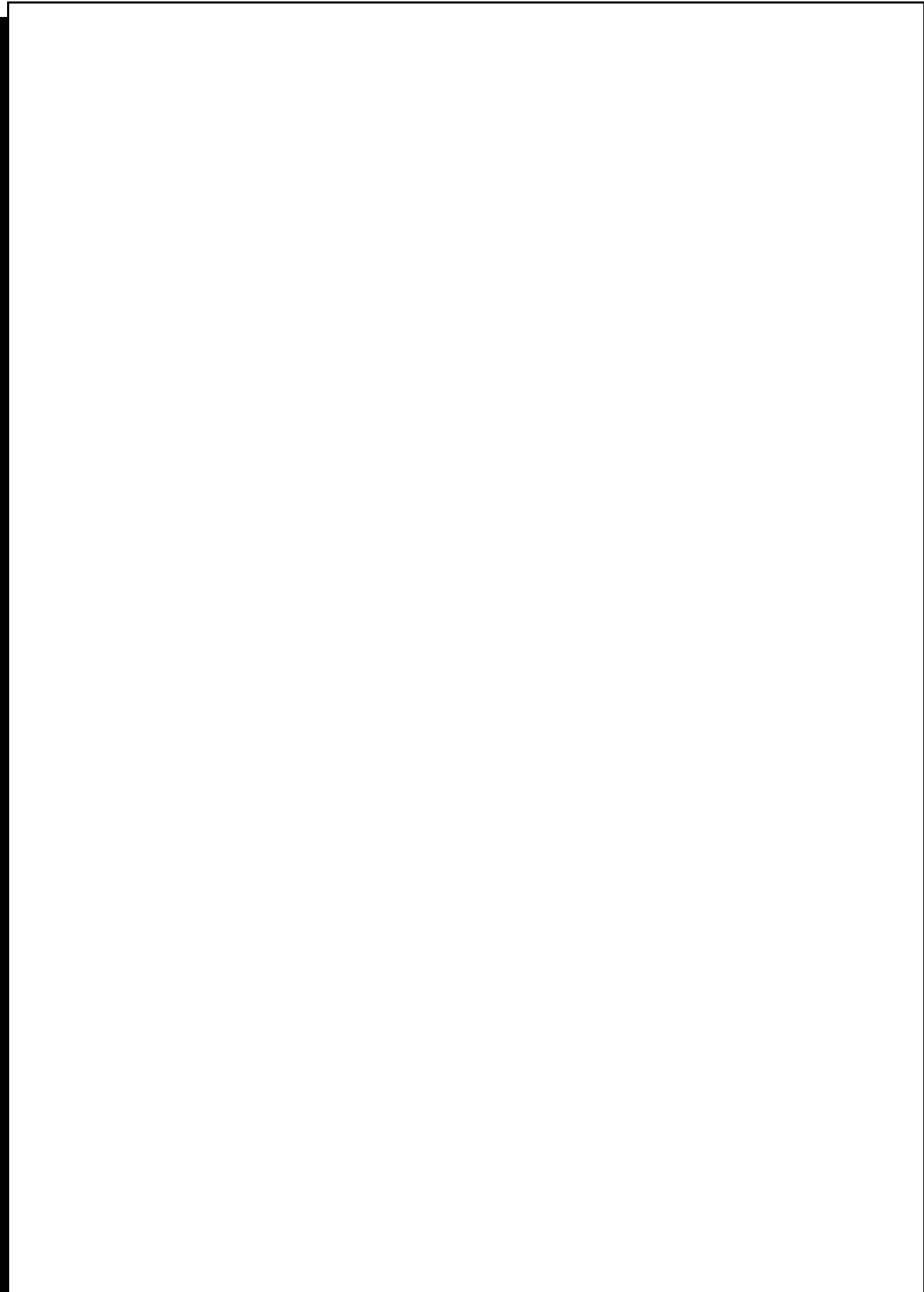


TABLE 11. TRIM MOUNTING DETAILS - IMPERIAL CROWN AND SIGNATURE STYLES

INDEX	PART NUMBER	DESCRIPTION	QTY
1	9900011	SCREW #6 X 3/8 RHS T/C	32
2	9900081	NUT #8-32 W/LW	11
3	2222110	T-BOLT TRIM - 3/8"	4
4	3102162	T-BOLT TRIM - 1/2"	7

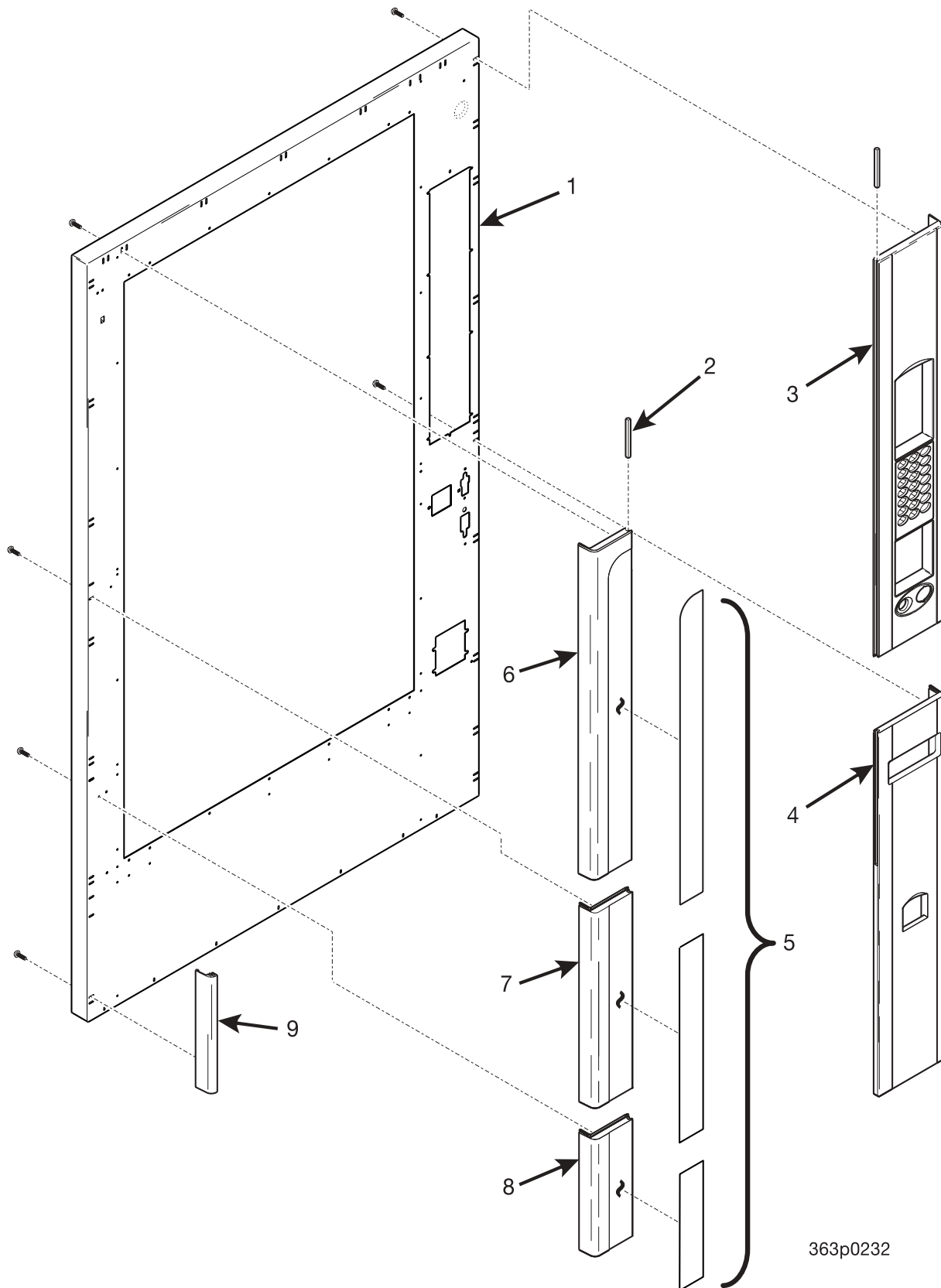


Figure 12. Trim - Millenia Style (Part 1 of 3)

TABLE 12. TRIM - MILLENIA STYLE (PART 1 OF 3)

INDEX	PART NUMBER	DESCRIPTION	QTY
1	3282001	DOOR WELD ASSEMBLY	1
2	1572259	FILLER - GROOVE - SHORT	2
3	3632137	RIGHT PANEL MONETARY & BUTTON ASSEMBLY	1
4	1572214	RIGHT HAND TRIM - LOWER - "B"	1
5	1572258	DECAL - DOOR TRIM VERTICAL ASSEMBLY	1
6	4552058	TRIM - UPPER - LEFT HAND - "C"	1
7	4552059	TRIM - MIDDLE - LEFT HAND - "D"	1
8	4552060	TRIM - BOTTOM - LEFT HAND - "E"	1
9	1572267	TRIM - LOWER - DOOR SIDE - GRAY	1

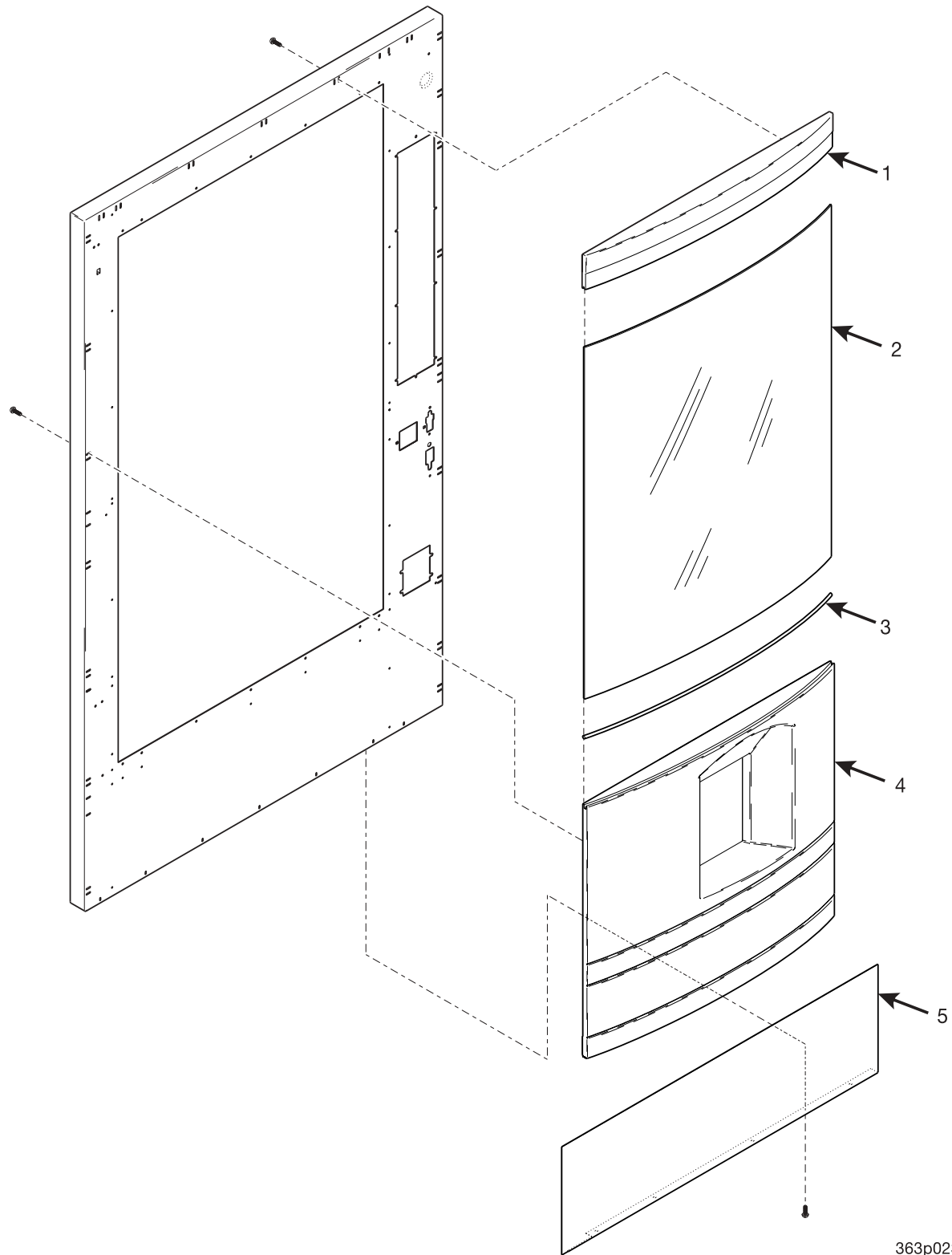


Figure 13. Trim - Millenia Style (Part 2 of 3)

Twin Drink Center Parts Manual

TABLE 13. TRIM - MILLENIA STYLE (PART 2 OF 3)

INDEX	PART NUMBER	DESCRIPTION	QTY
1	1582086	DECAL - TRIM HORIZONTAL - 32" FADED DOT	1
	1582200	HORIZONTAL TRIM - TOP - 32" - "H"	
2	3632033	GLASS - CURVED FRONT - 42.13" TWIN	1
3	3632135	GASKET - GLASS	1
4	2342203	HORIZONTAL TRIM - 42" TWIN - "R2"	1
5	3632133	PANEL - BOTTOM - PAINTED	1

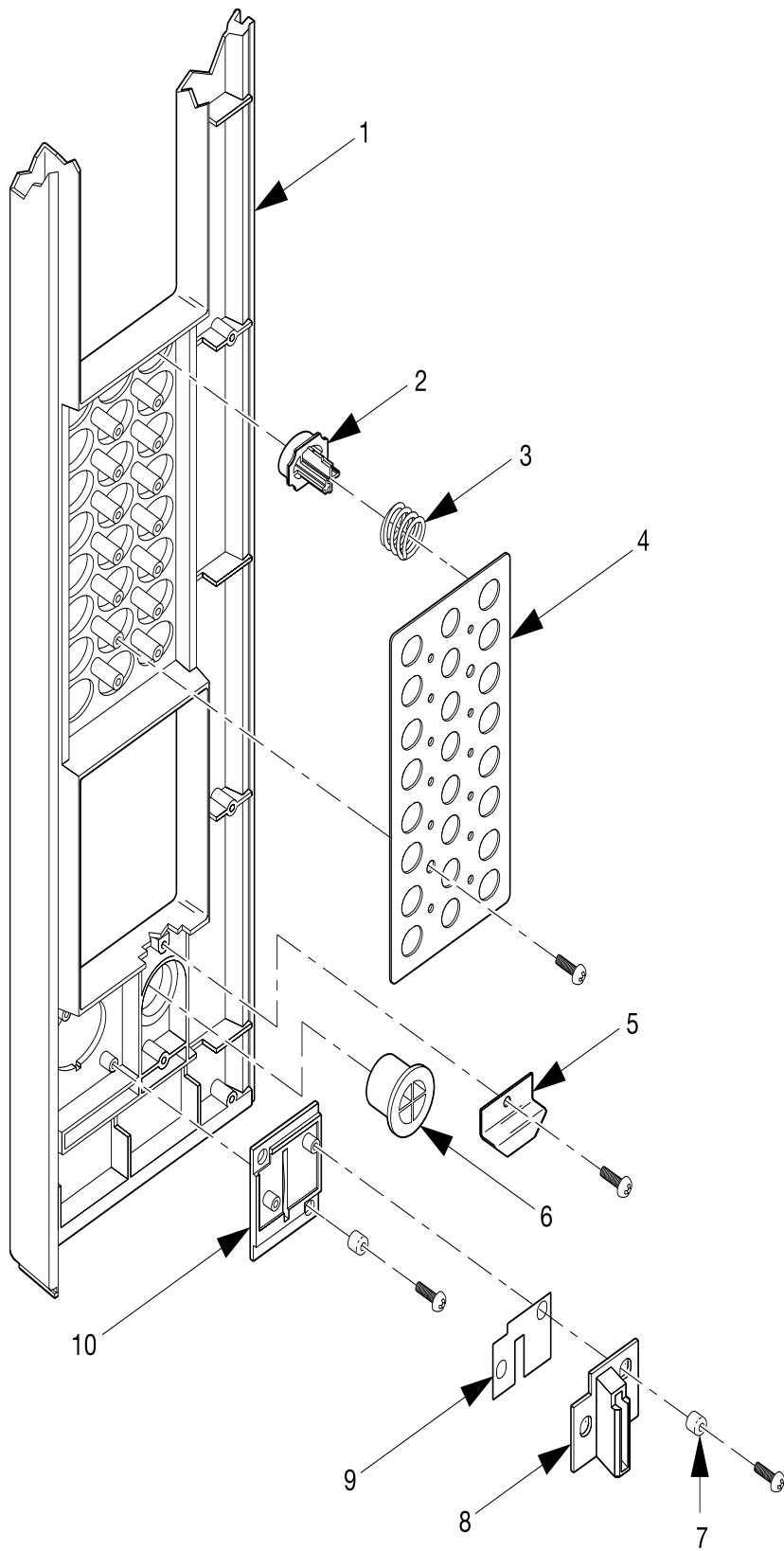
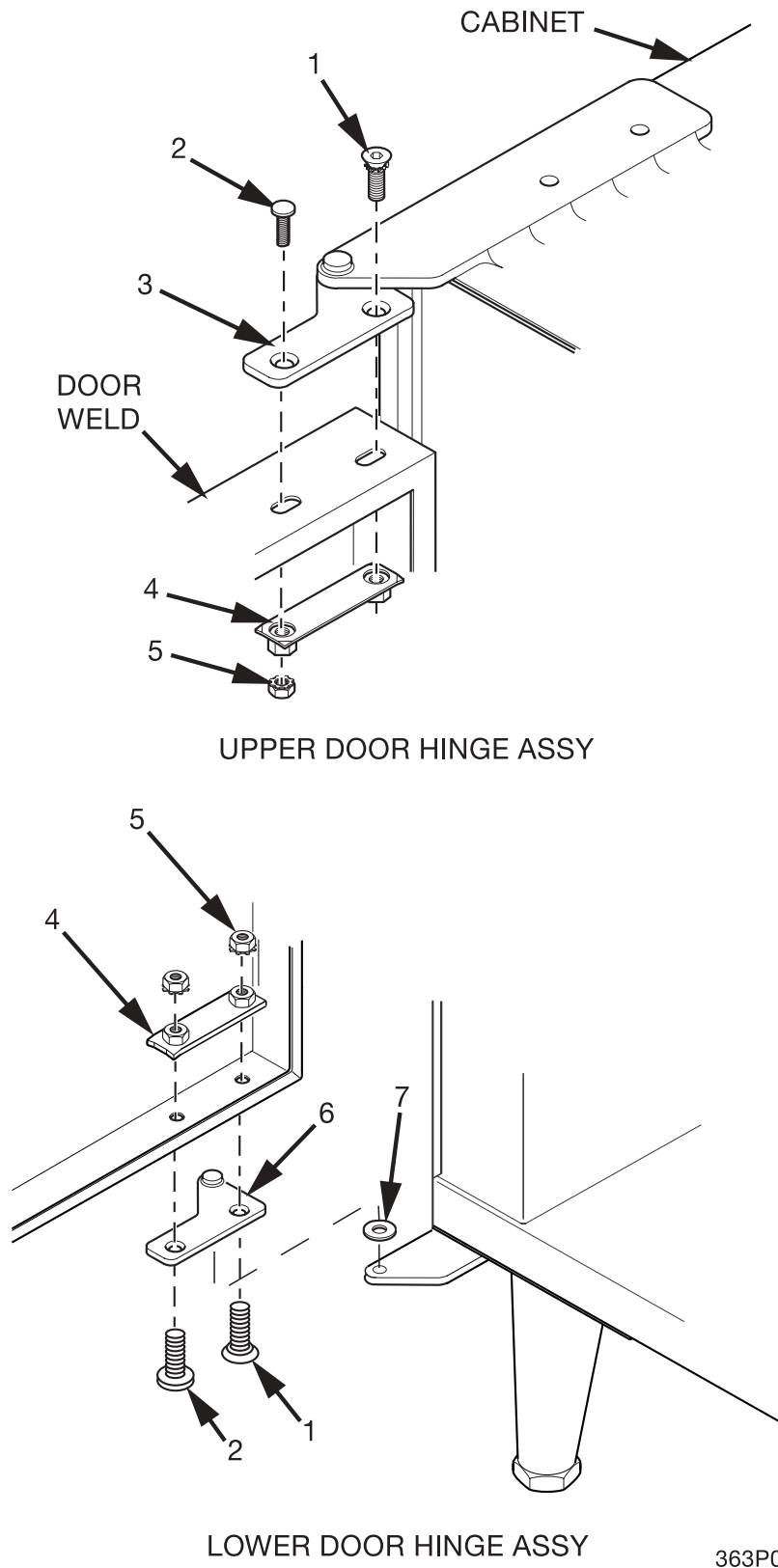


Figure 14. Trim - Millenia Style (Part 3 of 3)

363p023C

TABLE 14. TRIM - MILLENIA STYLE (PART 3 OF 3)

INDEX	PART NUMBER	DESCRIPTION	QTY
1	3632114	R.H. TRIM - UPPER - "A-24"	1
2	1572212	ARRAY - PUSH BUTTON SELECTION	1
3	1572224	SPRING - PUSH BUTTON	24
4	1572223	PLATE - STOP BUTTONS	1
5	1572292	RETAINER - RETURN BUTTON	1
6	1572210	COIN RETURN BUTTON - "A-2"	1
7	2302053	SPACER CUP	4
8	1572323	EXTENSION - COIN INSERT	1
9	1472222	COIN BLOCK	1
10	1572209	COIN INSERT - "A-1"	1



LOWER DOOR HINGE ASSY

363P0113

Figure 15. Door Hinge Assemblies

TABLE 15. DOOR HINGE ASSEMBLIES

INDEX	PART NUMBER	DESCRIPTION	QTY
1	6232036	SCREW - 5/16 - 18 X .75 FLT.HD SOCKET	4
2	6232208	WELD SCREW - #1/4-20 X 1" LG	2
3	3631025	HINGE ASSEMBLY - UPPER	1
4	6232028	PLATE ASSEMBLY - HINGE MOUNTING	2
5	1211105	1/4 - 20 KEPS NUT EXT LW ZP	2
6	6232031	HINGE ASSEMBLY - DOOR - LOWER	1
7	4242145	BEARING - THRUST - LOWER HINGE	1

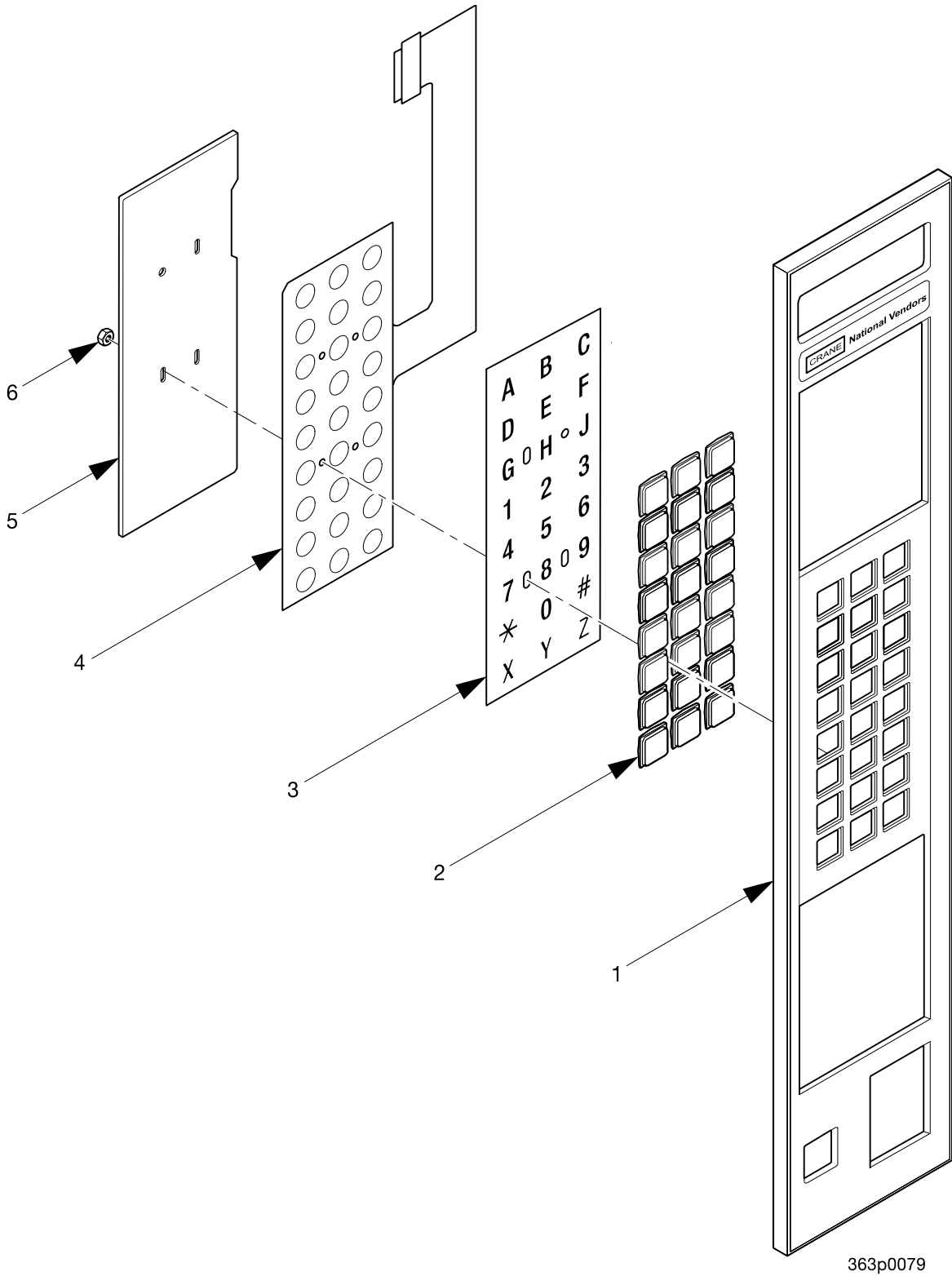
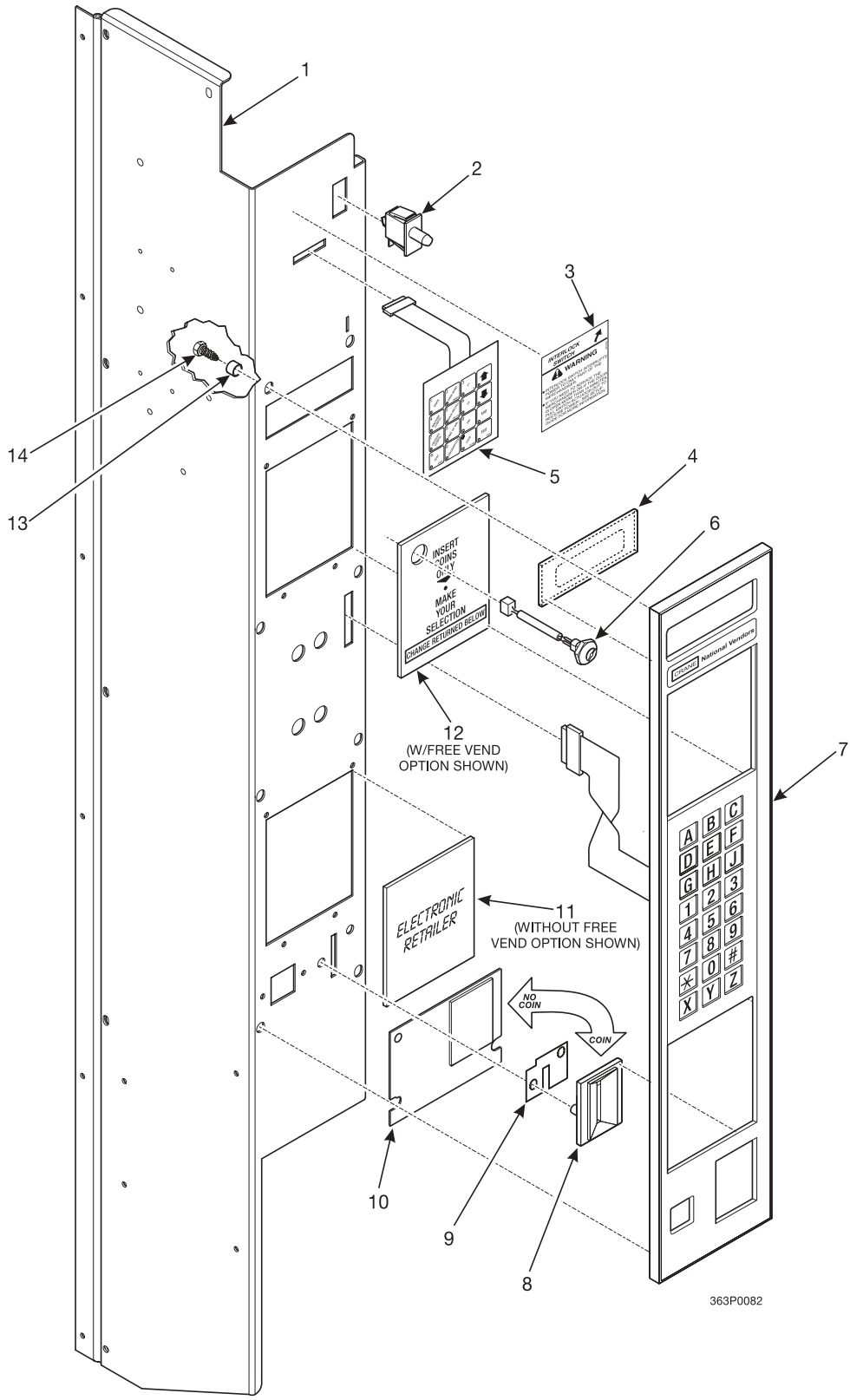


Figure 16. Monetary Panel Assembly (Part 1 of 3)

TABLE 16. MONETARY PANEL ASSEMBLY (PART 1 OF 3)

INDEX	PART NUMBER	DESCRIPTION	QTY
-	3635015	FACEPLATE ASSEMBLY	1
1	3635004	PANEL - SELECTION - MONETARY	1
2	1472251	LENS - PUSHBUTTON	24
3	1575058	LETTER SHEET - SELECTION SWITCH	1
4	9984630	MEMBRANE SWITCH ASSEMBLY -SELECT	1
5	1575091	PLATE - SELECT SWITCH - BACK UP	1
6	1475089	1/8" NUT - SELF-THREADING	4



363P0082

Figure 16. Monetary Panel Assembly (Part 2 of 3)

Twin Drink Center Parts Manual

TABLE 16. MONETARY PANEL ASSEMBLY (PART 2 OF 3)

INDEX	PART NUMBER	DESCRIPTION	QTY.
1	1575094	PANEL - WELD ASSEMBLY - MONETARY	1
2	1401110	SWITCH	1
3	3631096	LABEL - INTERLOCK SWITCH - (INTERNATIONAL ONLY)	1
4	1572013	LENS - DISPLAY	1
5	6335002	SERVICE KEYPAD ASSEMBLY	1
6	9989639	SWITCH ASSEMBLY - FREE VEND	OPT.
7	3635015	FACEPLATE ASSEMBLY	1
8	1472223	COIN INSERT	1
9	1472222	COIN BLOCK	1
10	1575044	COVER PLATE ASSEMBLY	1 OR 2
11	-	PLATE - LOWER (SEE TABLE 16 A FOR DETAILS)	OPT.
12	-	PLATE - UPPER (SEE TABLE 16 A FOR DETAILS)	OPT.
13	2302053	SPACER CUP	-
14	1437204	SCREW - #8-10X.38 HEX HD.TF	-

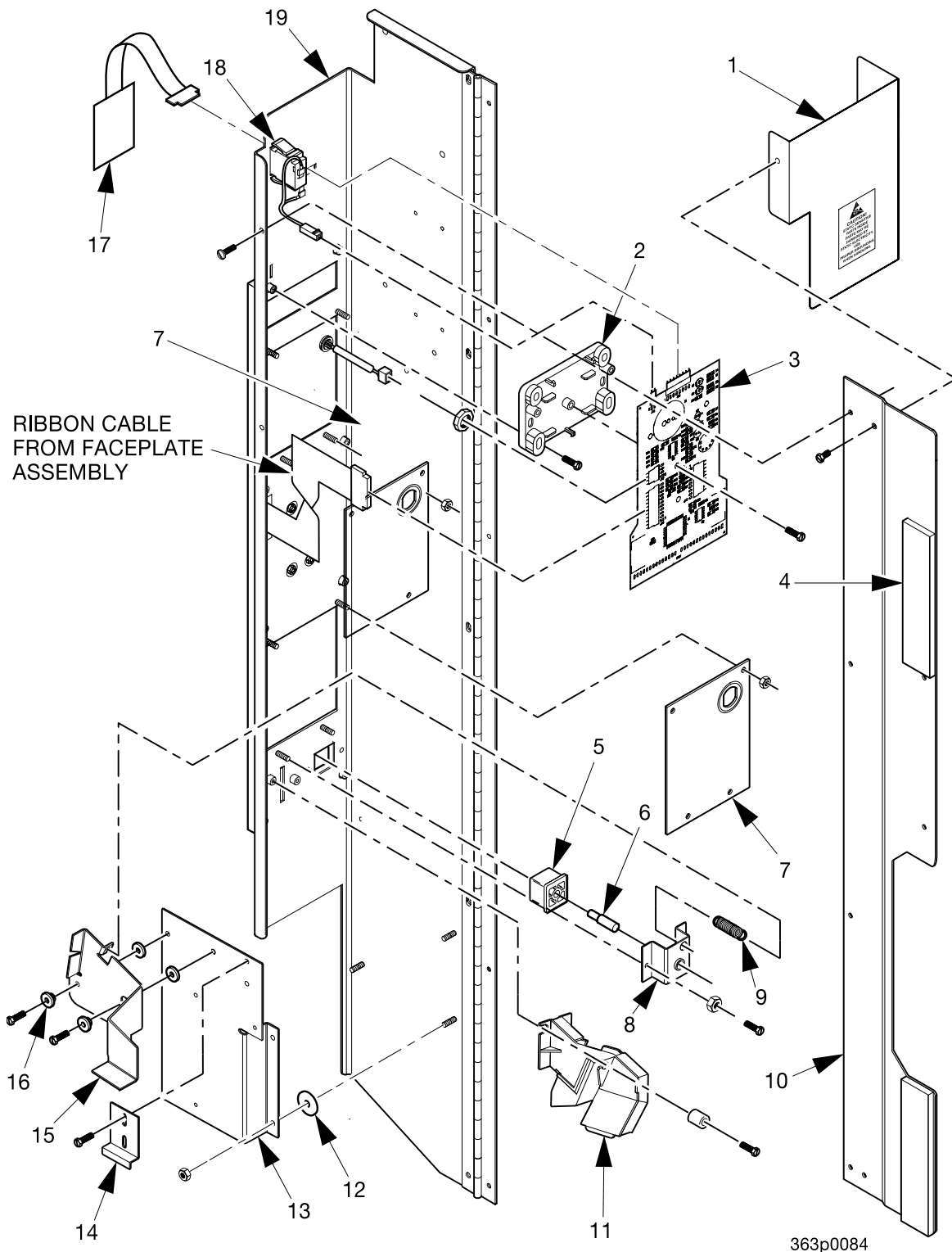


Figure 16. Monetary Panel Assembly (Part 3 of 3)

Twin Drink Center Parts Manual

TABLE 16. MONETARY PANEL ASSEMBLY (PART 3 OF 3)

INDEX	PART NUMBER	DESCRIPTION	QTY.
1	1575029	COVER - DISPLAY	1
2	1475099	BRACKET - PCB - DISPLAY	1
3	9989685	PCB ASSEMBLY - DISPLAY	1
4	3122056	MAGNET RETAINER COIN CHANGER	1
5	1475026	BUTTON - COIN RETURN	1
6	1475072	SHAFT - RETURN BUTTON	1
7	-	UPPER OR LOWER MONETARY POSITION (SEE TABLE 17 FOR DETAILS)	-
8	1571079	BRACKET - COIN RETURN BUTTON	1
9	1127808	SPRING SHELF RESET	1
10	1575057	PLATE - MAGNET MOUNTING	1
11	1575003	COIN CHUTE ASSEMBLY	OPT.
12	9900067	WASHER STEEL 7/16 X.203 X.062	2
13	1571081	BRACKET ASSEMBLY - COIN MECHANISM	OPT.
14	6231037	CLAMP - CABLE	1
15	1571113	ARM - SCAVENGER	1
16	2204093	WASHER - SCAVENGER BAR	1
17	6335002X	SERVICE KEYPAD ASSEMBLY	1
	6335005	SERVICE KEYPAD ASSY-SPANISH	
18	1401110	SWITCH	1
19	1575094	PANEL WELD ASSEMBLY - MONETARY	1

Twin Drink Center Parts Manual

TABLE 16 A. MONETARY LOCATION OPTIONS

MONETARY CAPABILITY	MONETARY PANEL LOCATION		WITH COIN?
	UPPER	LOWER	
COIN - VAL - CARD	CARD READER	UPSTACK VALIDATOR	YES
COIN - VAL - CARD	DOWNSTACK VALIDATOR	CARD READER	YES
COIN - VAL	INSERT INSTRUCTIONS BACK-UP PLATE (1575048)	UPSTACK VALIDATOR	YES
COIN - VAL	DOWNSTACK VALIDATOR	INSERT INSTRUCTIONS BACK-UP PLATE (1575048)	YES
COIN - CARD	INSERT INSTRUCTIONS BACK-UP PLATE (1575048)	CARD READER	YES
COIN - CARD	CARD READER	INSERT INSTRUCTIONS BACK-UP PLATE (1575048)	YES
VAL - CARD	DOWNSTACK VALIDATOR	CARD READER	NO
VAL - CARD	CARD READER	DOWNSTACK VALIDATOR	NO
COIN ONLY	INSERT INSTRUCTIONS BACK-UP PLATE (1575048)	INSERT INSTRUCTIONS BACK-UP PLATE (1575048)	YES
VAL ONLY	INSERT INSTRUCTIONS BACK-UP PLATE (1575048)	UPSTACK VALIDATOR	NO
VAL ONLY	DOWNSTACK VALIDATOR	INSERT INSTRUCTIONS BACK-UP PLATE (1575048)	NO
CARD ONLY	CARD READER	INSERT INSTRUCTIONS BACK-UP PLATE (1575048)	NO
CARD ONLY	INSERT INSTRUCTIONS BACK-UP PLATE (1575048)	CARD READER	NO

TABLE 16 B. BILL VALIDATOR OPTIONS

PART NUMBER	DESCRIPTION	UPSTACK OR DOWNSTACK	HARNESS PART NUMBER
1475053	MAKA VALIDATOR - MASK K (NB-1KB-400)	UPSTACK	1579006
3152391	VALIDATOR - MARS - VFM3-S1-U4C-CNS	UPSTACK	1579028
3152444	VALIDATOR - MARS - VFM1-S1-U4C-CNS	UPSTACK	1579005
5900182	VALIDATOR - COINCO - BA30SA	UPSTACK	1579028
5900193	VALIDATOR - MARS - S2000-VN2511U5E-CNS	UPSTACK	1579028
5900198	VALIDATOR - MARS - S2000-VN2311-U5E 11	UPSTACK	1579005
5900205	VALIDATOR - MARS VN2512-U5E 24	UPSTACK	1579032
5900210	VALIDATOR - MARS - VN2512-U5M/500 "MDB"	UPSTACK	-
5900221	VALIDATOR - COINCO - BA32SA-24V	UPSTACK	1579032
5900233	VALIDATOR - CONLUX MKA2152-12B 120V	UPSTACK	1579028
5900234	VALIDATOR - CONLUX 2162-24V-300	UPSTACK	1579050
5900247	VALIDATOR - MARS AE2612 - U5M - MDB	UPSTACK	1579028
5900248	VALIDATOR - MARS AE2611 - U5E - MDB	UPSTACK	-

TABLE 16 C. COIN MECHANISM OPTIONS

PART NUMBER	DESCRIPTION
5900096	COINCO 9340L COIN UNIT
5900097	COIN UNIT - COINCO 9340L-BRC
5900112	MARS MC5000 COIN UNIT
5900116	MARS TRC6000 COIN UNIT
5900192	COIN UNIT - CONLUX USLX00401F
5900209	COIN UNIT - CONLUX USLZ-001 "MDB"
5900243	COIN UNIT - MARS TRC6510 - "MDB"
5900213	COIN UNIT - COINCO - 9302-GX "MDB"
5900214	COIN UNIT - MARS - VN4510 - MDB
5900216	COIN UNIT - MARS - VN4000, 110V
5900217	COIN UNIT - MARS - VN4010XV-24V
5900237	COIN MECH - CONLUX USLX-OO1 12
6400002	COIN CHANGER - MARS #TRC6010XV
6400003	COIN CHANGER - COINCO #9302LF-24

NOTE
NATIONAL VENDORS DOES NOT SELL EXEC COIN MECHANISMS FOR THE INTERNATIONAL MARKET

TABLE 16 D. CARD READERS

PART NUMBER	DESCRIPTION	HARNESS PART NUMBER
1475107	DEBITEK # VIS-MM-NAT SYSTEM III	6330828
6231515	PLATE ASSEMBLY - DEBIT CONTROLLER MOUNTING	-

Twin Drink Center Parts Manual

TABLE 16 E. MONETARY CAPABILITY (PART 1)

COUNTRY/LANGUAGE		COIN VAL CARD	COIN VAL	COIN CARD
U.S. ENGLISH:	NO FREEVEND	N/A	1575012	1575013
U.S. ENGLISH:	FREEVEND	N/A	1575025	1575026
U.K.:	NO FREEVEND	N/A		
U.K.:	FREEVEND	N/A		
GERMANY:	NO FREEVEND	N/A		
GERMANY:	FREEVEND	N/A		
MEXICO:	NO FREEVEND	N/A		
MEXICO:	FREEVEND	N/A		
FRANCE:	NO FREEVEND	N/A		
FRANCE:	FREEVEND	N/A		
AUSTRALIA/ N.Z.:	NO FREEVEND	N/A		
AUSTRALIA/ N.Z.:	FREEVEND	N/A		
ARGENTINA:	NO FREEVEND	N/A		
BRAZIL:	NO FREEVEND	N/A		
SAUDI ARABIA:	NO FREEVEND	N/A	1575012	
SAUDI ARABIA:	FREEVEND	N/A	2271408	
SPAIN:	NO FREEVEND	N/A		
SPAIN:	FREEVEND	N/A		

Twin Drink Center Parts Manual

TABLE 16 E. MONETARY CAPABILITY (PART 2)

VAL CARD	COIN	VAL	TOKEN OR CARD	VAL CARD
N/A	1575013		1575035	N/A
	1575035			
N/A	1575026		1575035	N/A
	1575035			
N/A	1575013			N/A
	1575036			
N/A	1575026			N/A
	1575036			
N/A	1572014			N/A
	1571038			
N/A	1575023			N/A
	1571038			
N/A	1575014			N/A
	1575040			
N/A	1575022			N/A
	1575040			
N/A	1572015			N/A
	1672027			
N/A	1575024			N/A
	1672027			
N/A	1575013			N/A
	1575035			
N/A	1575026			N/A
	1575035			
N/A	1575015			N/A
	1575012			
N/A			1572016	N/A
			1575034	
N/A	1575013			N/A
	1575035			
N/A	1575026			N/A
	1575035			
N/A	1575014			N/A
	1672027			
N/A	1575022			N/A
	1672027			

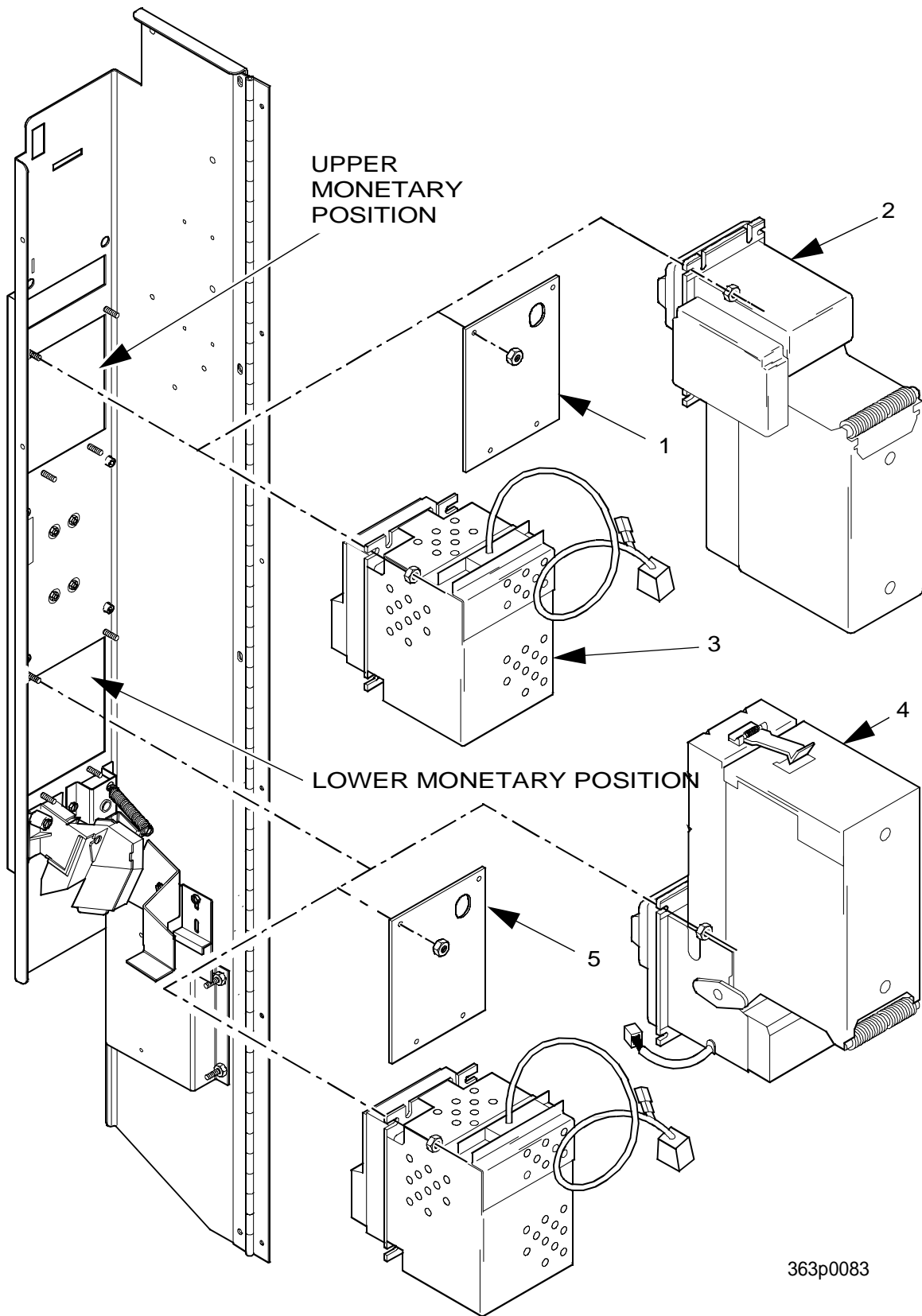


Figure 17. Card Reader and Bill Validator Combinations

TABLE 17. CARD READER AND BILL VALIDATOR COMBINATIONS

INDEX	PART NUMBER	DESCRIPTION	QTY
1	1575048	INSTRUCTION INSERT BACKING PLATE	0*, 1*, 2*
2	-	DOWNSTACK BILL VALIDATOR (SEE TABLE 16 A FOR DETAILS)	OPT
3	-	DEBIT CARD READER (SEE TABLE 16 A FOR DETAILS)	OPT
4	-	UPSTACK BILL VALIDATOR (SEE TABLE 16 A FOR DETAILS)	OPT
5	1575094	MONETARY PANEL WELD ASSEMBLY	REF

* - QUANTITY VARIES WITH THE MONETARY COMPONENTS CONFIGURATION

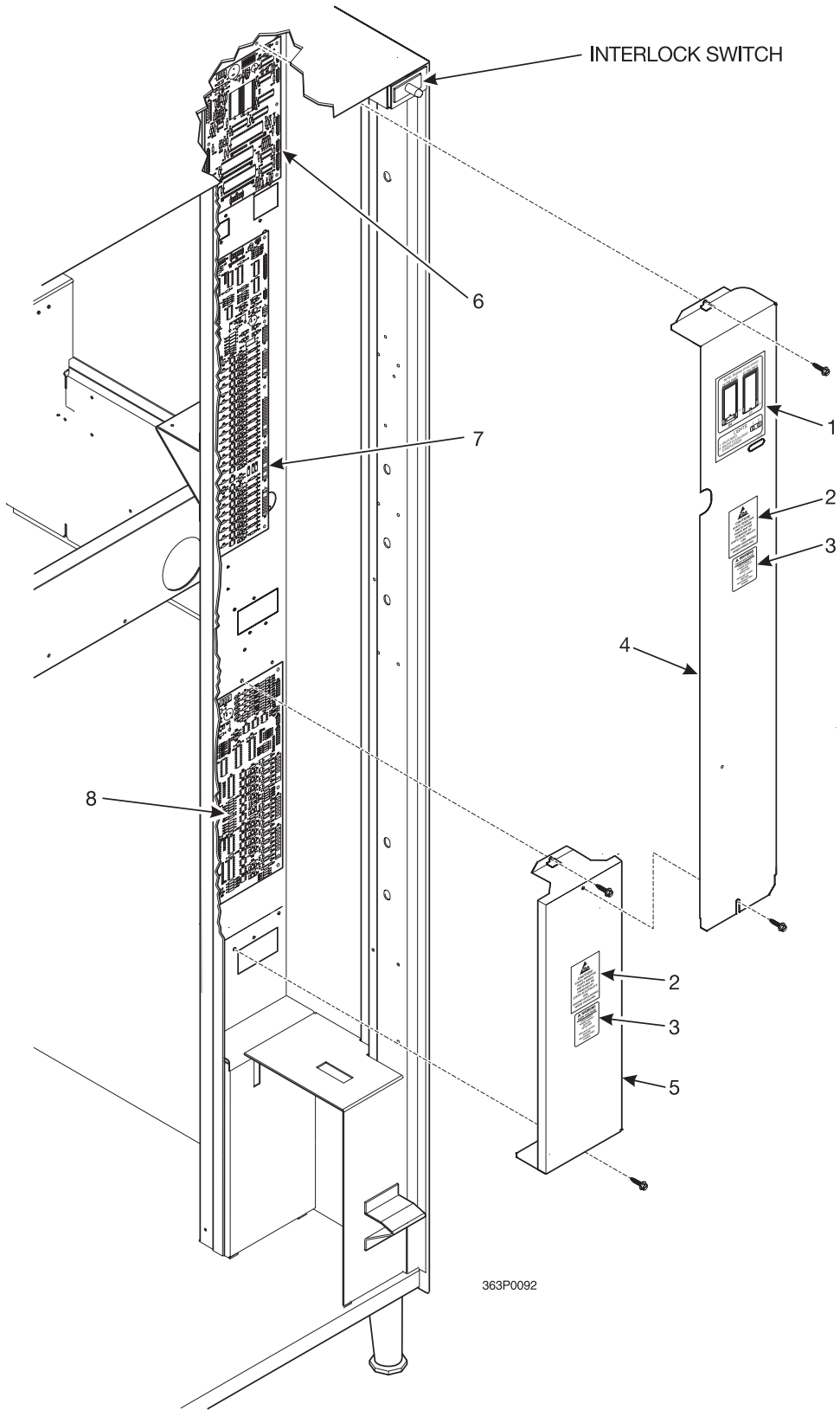
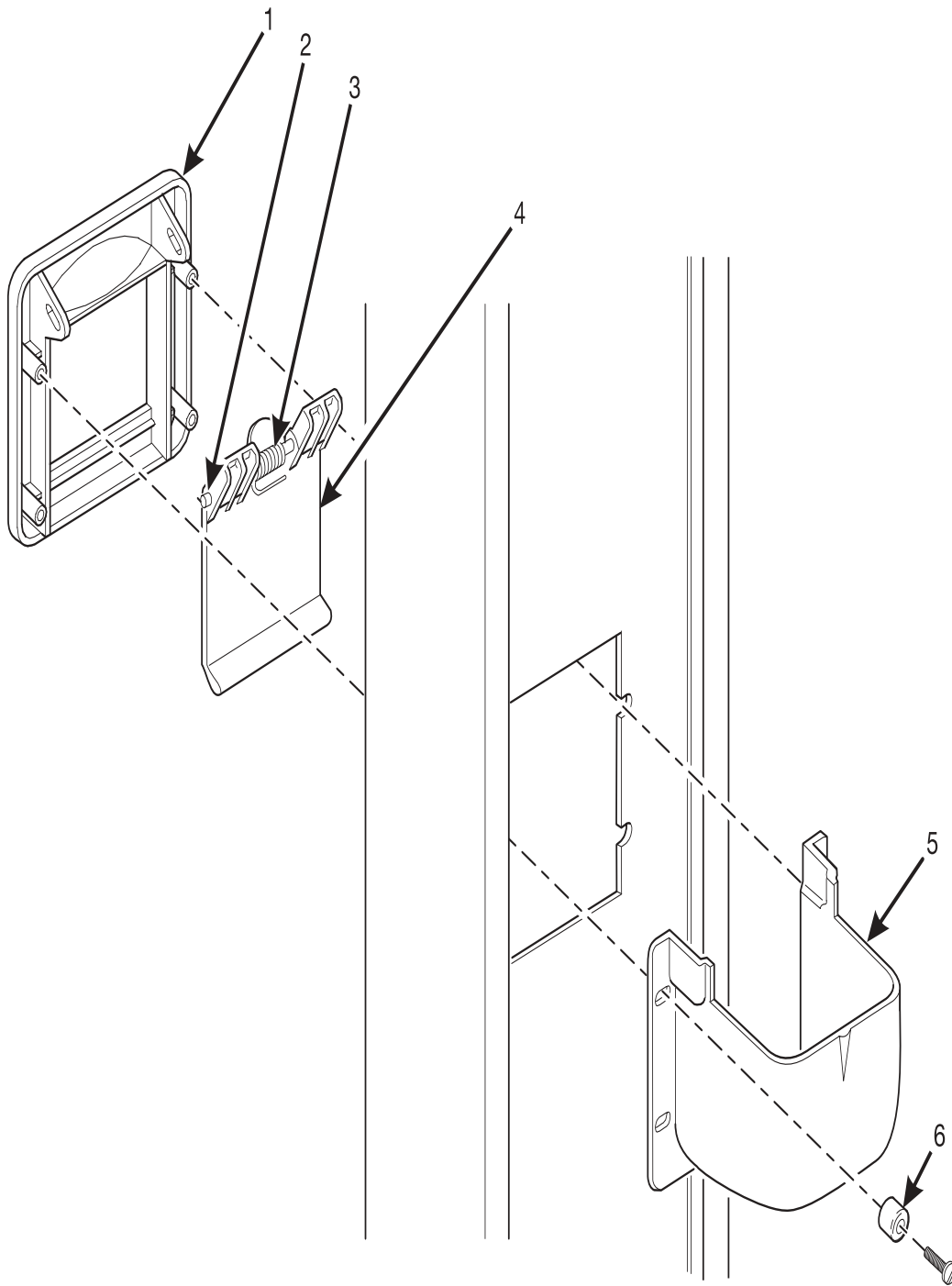


Figure 18. Monetary Channel Assembly

TABLE 18. MONETARY CHANNEL ASSEMBLY

INDEX	PART NUMBER	DESCRIPTION	INDEX
1	1211141	SWITCH	1
2	1571042	LABEL - LED & EPROM - ENGLISH	2
3	2342216	LABEL - STATIC - CAUTION - ENGLISH	3
4	6231189	LABEL - WARNING - HIGH VOLTAGE - ENGLISH	4
5	3631037	COVER - PCB - UPPER	5
6	3631038	COVER - PCB - LOWER	6
7	9989678	PCB ASSEMBLY - MAIN CONTROLLER	7
8	6336000	PCB ASSEMBLY - HOT DRINK INTERFACE	8
9	3636000	PCB ASSEMBLY - TWIN/EURO - INTERFACE	9

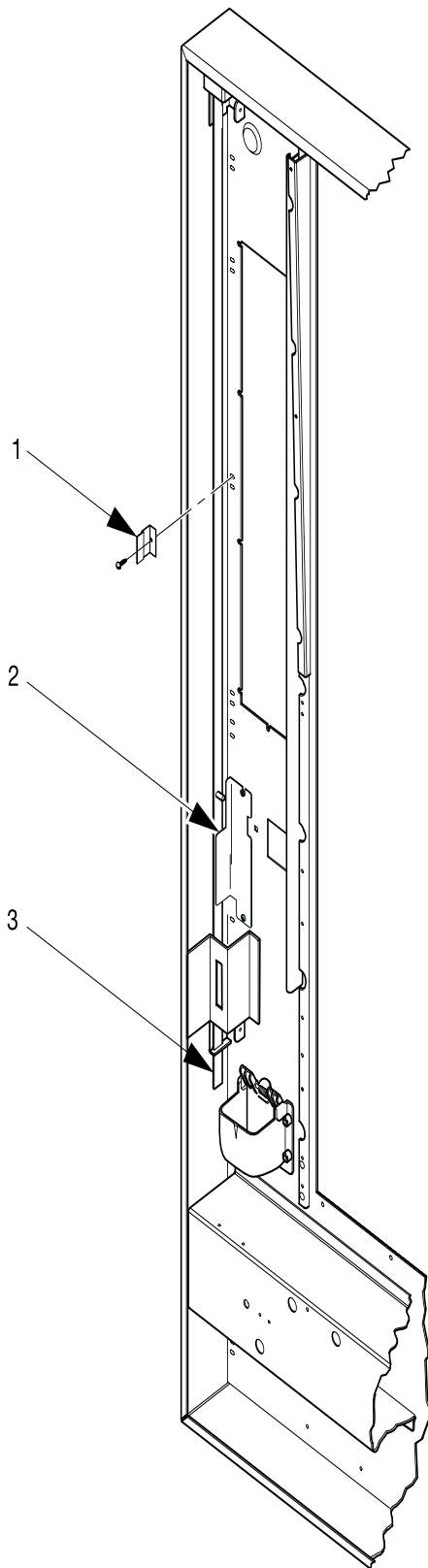


363P0052

Figure 19. Coin Receptacle Assembly

TABLE 19. COIN RECEPTACLE ASSEMBLY

INDEX	PART NUMBER	DESCRIPTION	QTY.
1	1572011	TRIM - COIN RECEPTACLE	1
2	4245084	SHAFT - DOOR - COIN RETURN	1
3	4245083	SPRING - COIN RETURN DOOR	1
4	4245082	GATE COIN RETURN	1
5	1572010	CUP - COIN RETURN	1
6	2302053	SPACER - CUP	4
7	-	SCREW, #8-32 X 1/2 PHS S/T	4



363p023f

Figure 20. Door Lock Assembly

TABLE 20. DOOR LOCK ASSEMBLY

INDEX	PART NUMBER	DESCRIPTION	QTY.
1	1472250	GUIDE - LOCK BAR	1
2	-	SCREW	1
3	1572196	CHANNEL - FILLER - LOCK (MILLENIA STYLE ONLY)	1
4	1472178	LOCKBAR ASSEMBLY	1

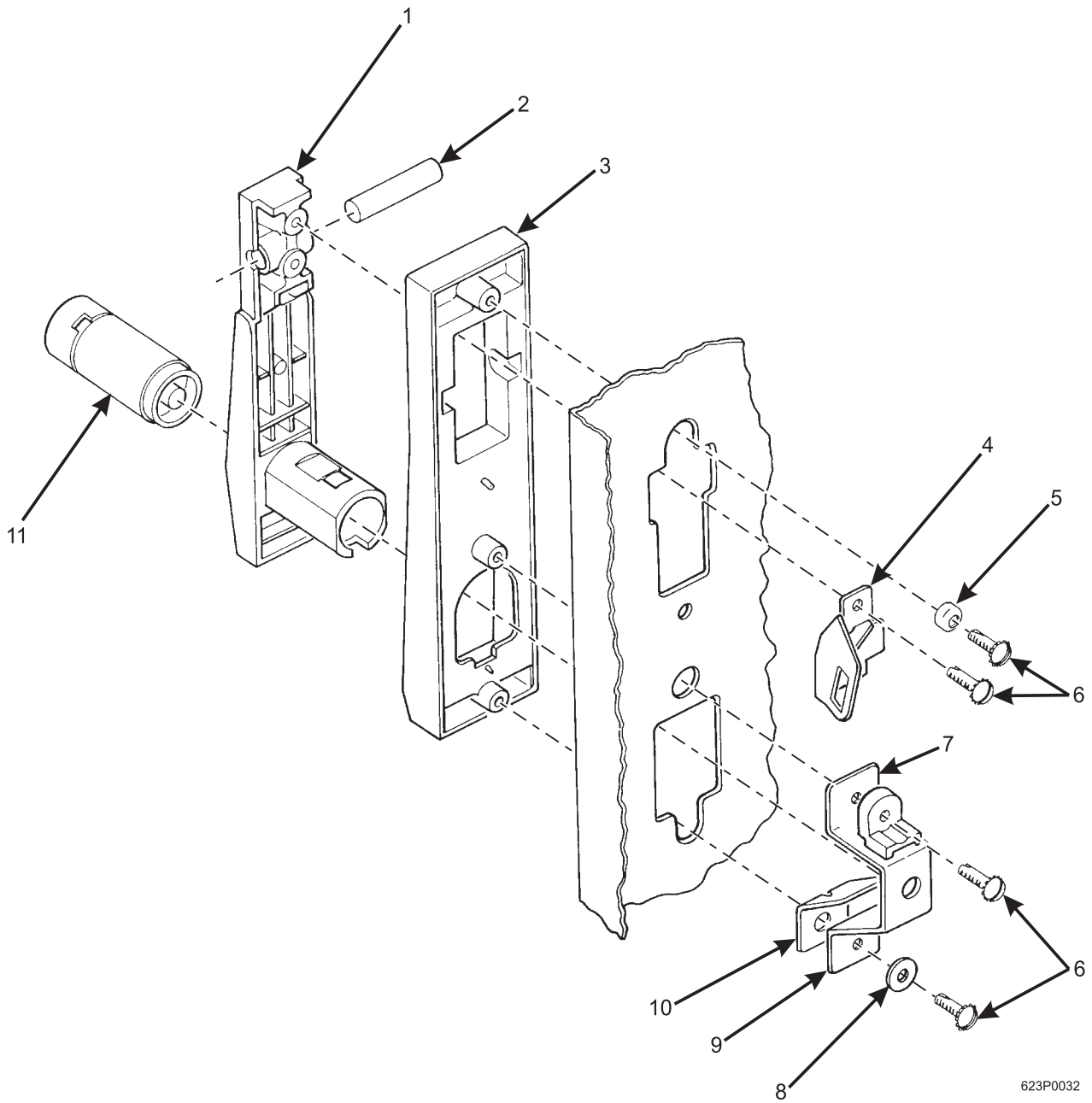


Figure 21. Standard Door Lock and Handle Assembly

TABLE 21. STANDARD DOOR LOCK AND HANDLE ASSEMBLY

INDEX	PART NUMBER	DESCRIPTION	QTY.
1	1172190	LEVER - LOCK	1
2	1302291	PIVOT - LEVER LOCK	1
3	1172191	BASE - LEVER LOCK	1
4	2272052	ACTUATOR ASSEMBLY - LOCK BAR	1
5	1302289	CUP SPACER	2
6	1217161	SCREW, #10-32 X 1/2 RHS W/LW	5
7	1302326	SHIELD - LATCH	1
8	9900121	WASHER - STEEL - 7/16 X .203 X .032	1
9	1302324	CATCH - DOOR LATCH	1
10	1302290	LATCH - LOCK LOWER	1
11	9992400	CYLINDER - LOCK	1
	3112163	VAN LOCK	(OPT)
-	3112164	KEY (NOT SHOWN) VAN LOCK APPLICATION (NOT SHOWN)	1 (OPT)

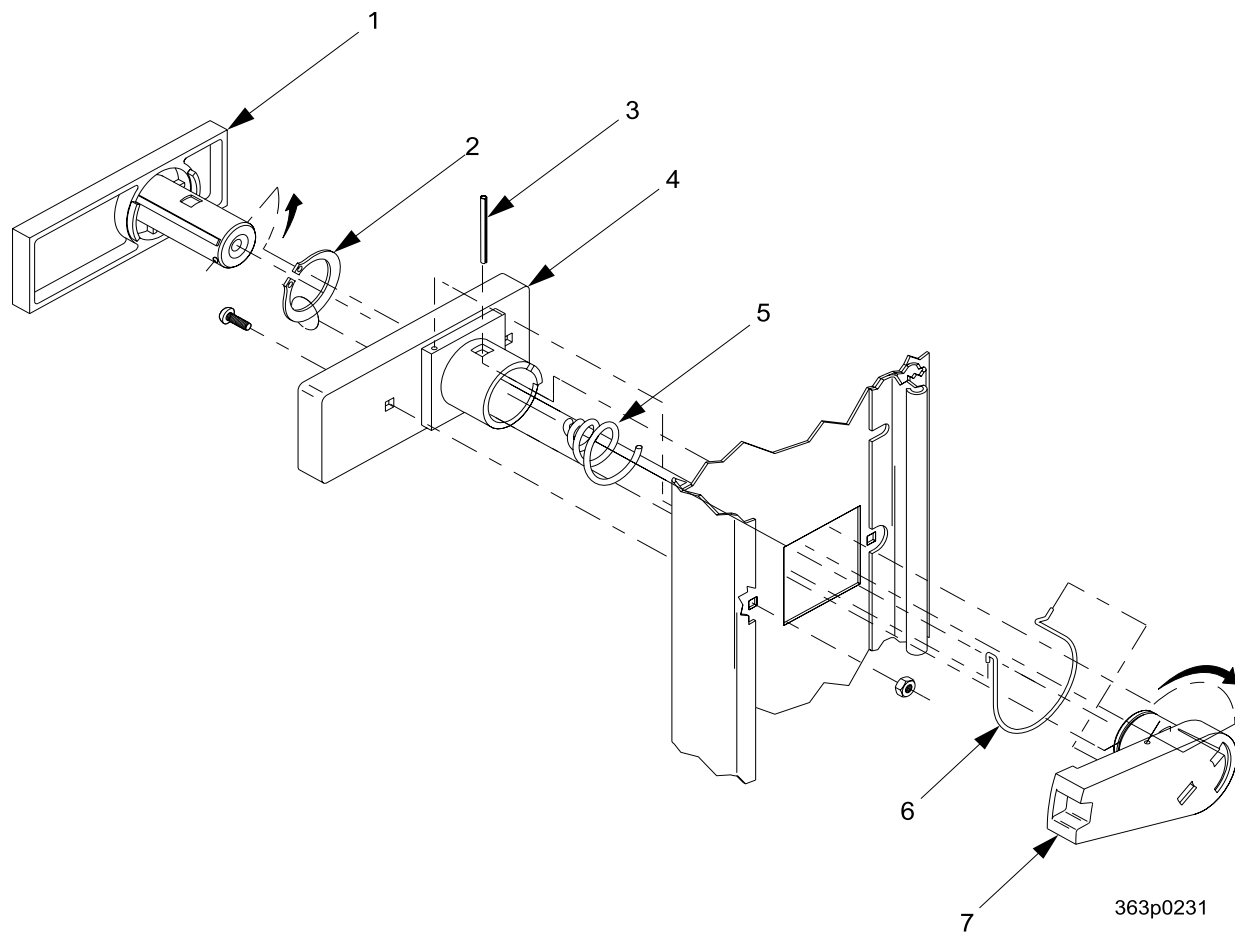


Figure 22. Millennium Door Lock and Handle Assembly

TABLE 22. MILLENNIA DOOR LOCK AND HANDLE ASSEMBLY

INDEX	PART NUMBER	DESCRIPTION	QTY.
1	1572201	LEVER - HANDLE	1
2	1572199	RETAINING RING - LOCK ACTUATOR	1
3	4047061	ROLL PIN 1/8X1 1/8	1
4	1572200	BASE - LOCK HANDLE	1
5	1572203	SPRING - LOCK	1
6	1572202	ACTUATOR - LOCK BAR	1
7	1572204	SPRING - LIFT - ACTUATOR	1

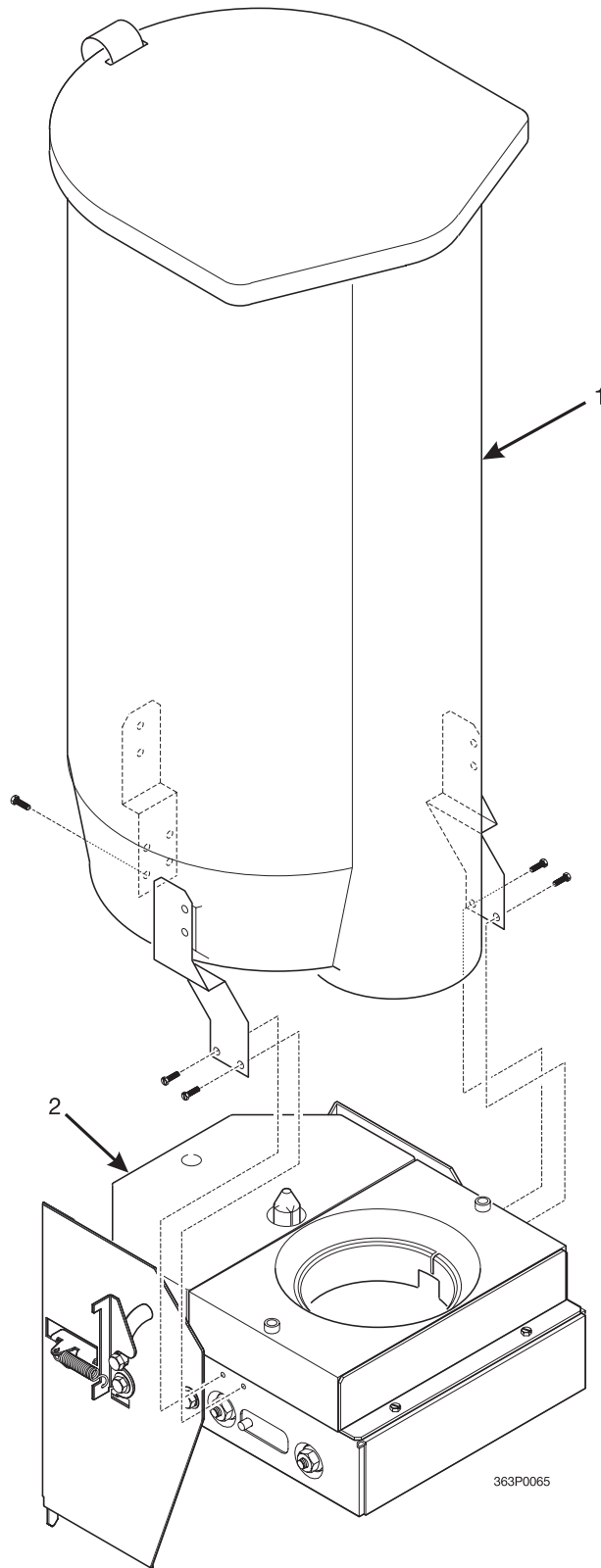


Figure 23. Mech and Canister Assembly - 4 Column 12/18 oz.

Twin Drink Center Parts Manual

TABLE 23. MECH AND CANISTER ASSEMBLY - 4 COLUMN 12/18 OZ.

INDEX	PART NUMBER	DESCRIPTION	QTY.
-	3633021	MECH AND CANISTER ASSEMBLY - 4 COLUMN 12/18 OZ.	1
1	3633001	TURRET AND CANISTER ASSEMBLY (SEE FIGURE 24 FOR DETAILS)	1
2	3633020	MECHANISM ASSEMBLY - 4 COLUMN - 12/18 OZ (SEE FIGURE 25 FOR DETAILS)	1

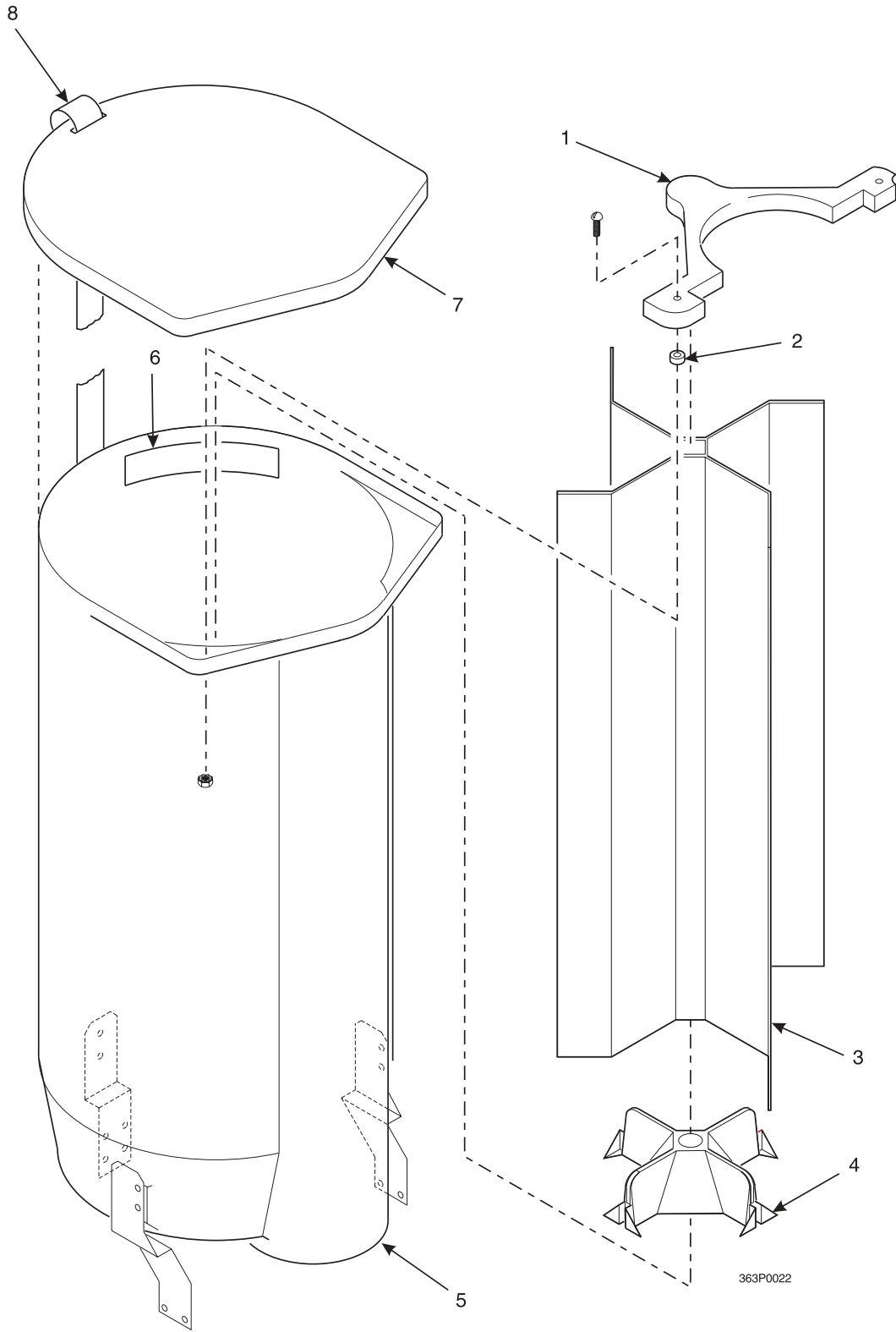


Figure 24. Turret and Canister Assembly - 12/18 oz.

Twin Drink Center Parts Manual

TABLE 24. TURRET AND CANISTER ASSEMBLY - 12/18 OZ.

INDEX	PART NUMBER	DESCRIPTION	QTY.
-	3633012	TURRET & CANISTER ASSEMBLY	1
1	3633008	BEARING - TURRET TOP	1
2	2302053	SPACER CUP	1
3	3633007	CENTER VANE - TURRET	1
4	6233048	BASE - TURRET	1
5	3633005	CANISTER - CUP - 4 COL - 12/18 OZ	1
6	6233095	LABEL - FILL LINE	1
7	3633006	LID - CANISTER - 4 - 12/18	1
8	6333003	STRAP - CANISTER	1
-	6114121	WASHER - ROLLER	6
-	6138181	WASHER - PLATE	2
-	9900081	NUT #8-32 KEPS ZINC PLATE	1

Twin Drink Center Parts Manual

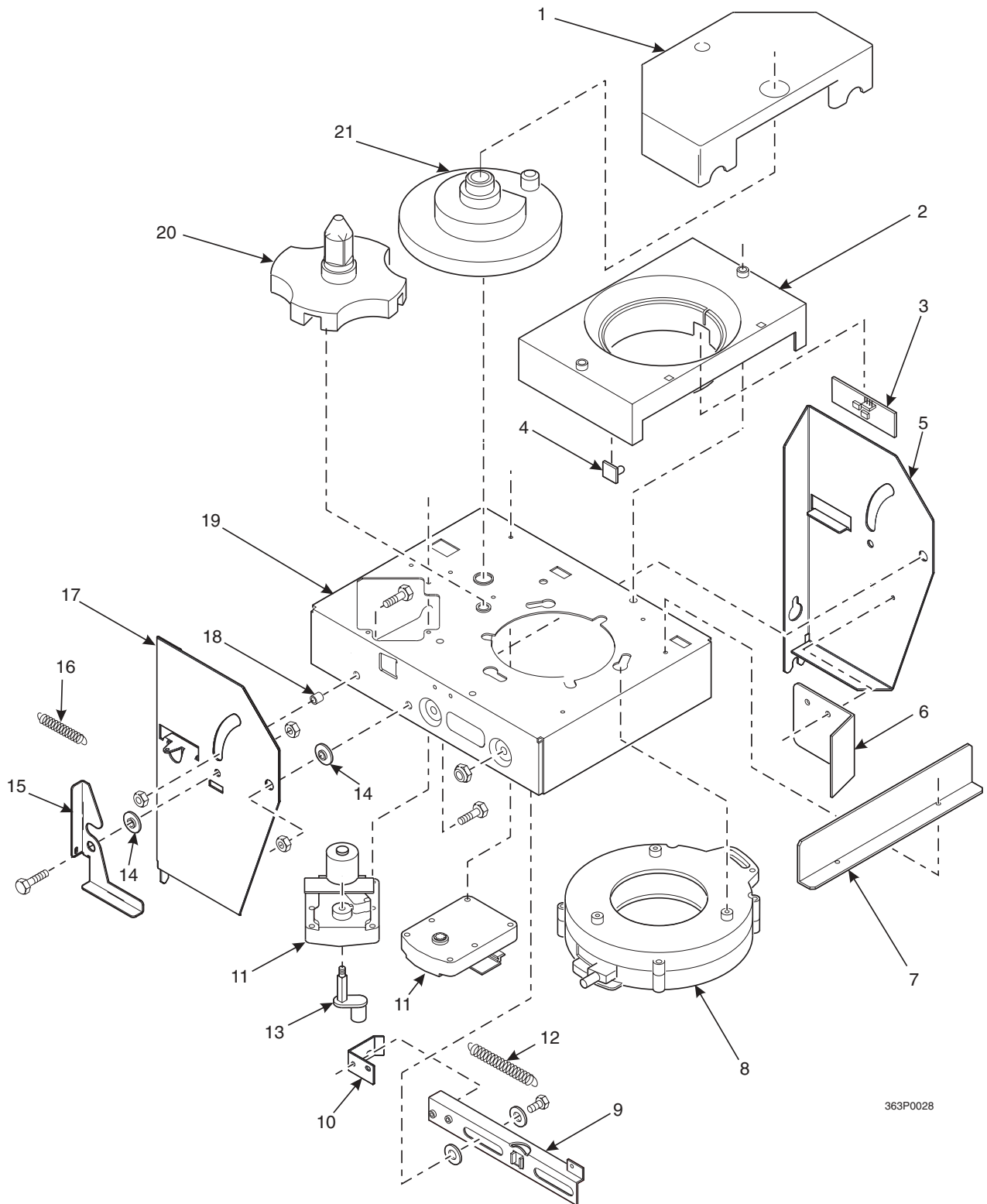


Figure 25. 12 - 18 oz. Mechanism Assembly

Twin Drink Center Parts Manual

TABLE 25. 12 - 18 OZ. MECHANISM ASSEMBLY

INDEX	PART NUMBER	DESCRIPTION	QTY
-	3633020	MECHANISM ASSEMBLY - 4 COLUMN - 12/18 OZ	OPT.
1	6233010	COVER - END	1
2	6233012	COVER - CENTER	1
3	6233105	PCB ASSEMBLY - DETECTOR CUP SENSOR	1
4	6233107	PCB ASSEMBLY - LED - CUP SENSOR	1
5	3633019	BRACKET - MECH. MOUNTING - RIGHT	1
6	3631109	BRACKET - CUP DELIVERY ASSEMBLY	1
7	3633013	BRACKET - BASE COLUMN	1
8	3143055	CUP RING ASSEMBLY - 14 OZ /16 OZ (SEE FIGURE 26 FOR DETAILS)	1
9	3633014	ACTUATOR - CUP RING	1
10	3633017	ACTUATOR - RAMP	1
11	1577035	MOTOR & PCB ASSEMBLY	2
12	4733035	SPRING - CUP RELEASE ARM	1
13	6233058	CRANK ARM & ROLLER ASSEMBLY	1
14	6233028	BUSHING	2
15	3633022	LATCH	1
16	2301057	SPRING ELEVATOR STOP	1
17	3633018	BRACKET - MECH. MOUNTING - LEFT	1
18	6233062	SPACER - 0.260 ID X 0.34 OD X 0.312	1
19	3633002	PLATE - BASE - COLUMN	1
20	6233013	DRIVER - GENEVA	1
21	6233014	INDEX PLATE - GENEVA	1
-	1141054	SCREW 1/4-20 X 3/4 HEX HD ZP (NOT SHOWN)	-
-	1451097	SCREW - #8-32 X 0.31 HEX HD.TF - BL	-
-	1457027	SCREW - #8-32 X 0.81 HEX HD.-T/	6
-	3639011	HARNESS - CUP MECHANISM - TWIN (NOT SHOWN)	1
-	4041241	NUT 1/4-20 SELF LOCKING	7
-	6233021	SCREW - 1/4 X 20 X 0.5 HEX HD	6
-	6233065	SCREW - #8-16 X 0.38 PLAST. HHS	2
-	6233072	GROMMET - STRAIN RELIEF (NOT SHOWN)	1
-	6233077	BOLT - #1/4 X 20 X 2.38 HHS	2
-	6233106	HARNESS - CUP DETECTOR/LED JUMPER (NOT SHOWN)	1
-	6404034	WASHER - .687 O.D. X .265 I.D.	3
-	9900034	WASHER - STEEL 3/8 X 0.170 X .032	-

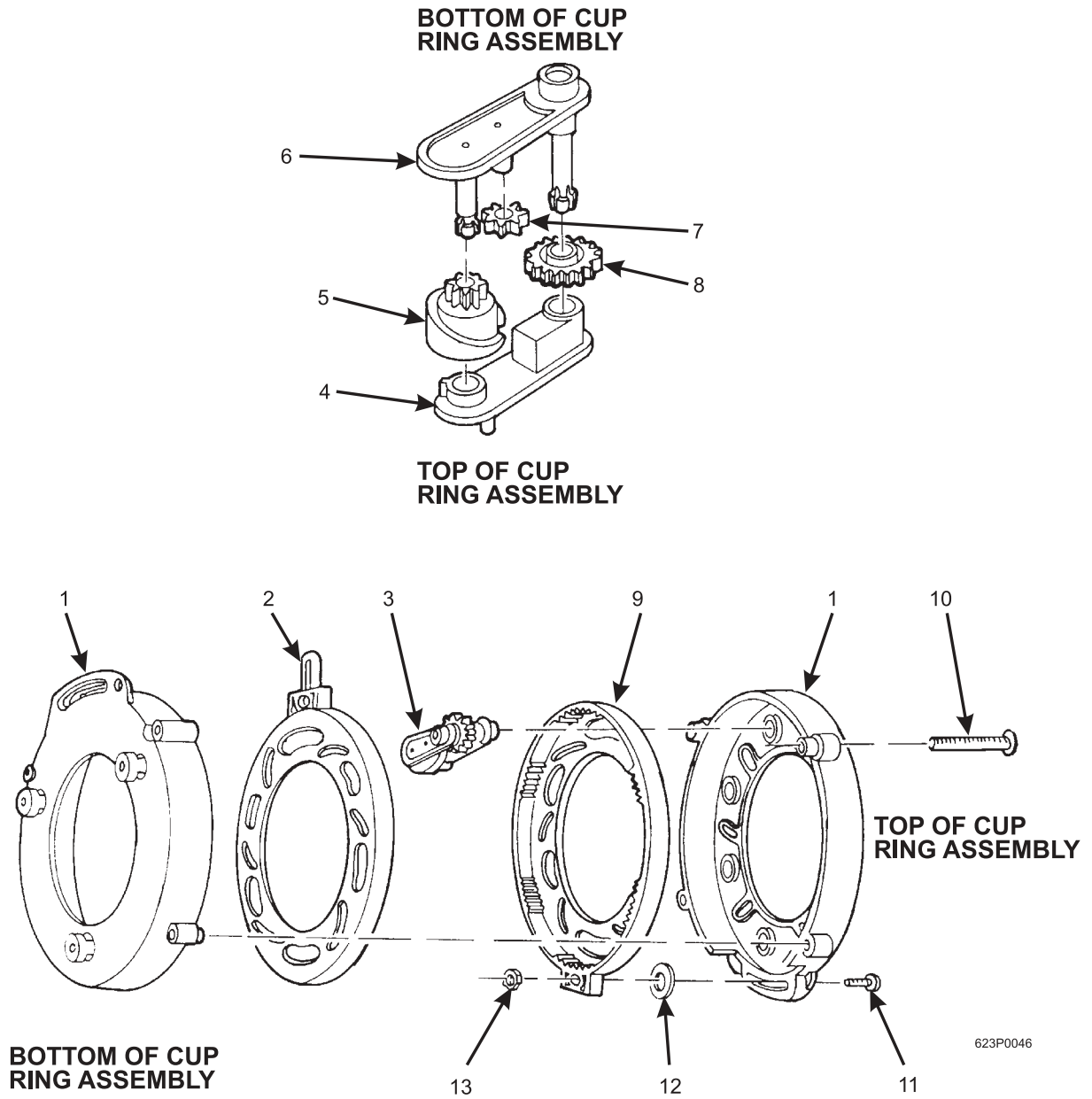


Figure 26. Cup Ring Assembly - 12-16 oz.

Twin Drink Center Parts Manual

TABLE 26. CUP RING ASSEMBLY - 12-16 OZ.

INDEX	PART NUMBER	DESCRIPTION	QTY.
-	3143055	CUP RING ASSEMBLY (14 OZ. TO 16 OZ.)	REF
1	3143056	HOUSING - CUP RING	2
2	3143057	GEAR - INTERNAL	1
3	3143130	CAM AND GEAR ASSEMBLY (INCLUDES INDEX NUMBERS 4 THROUGH 8)	6
4	3143017	RETAINER - CAM	1
5	3143129	CAM - CUP	1
6	3143013	ARM - CAM	1
7	3143015	GEAR - 10 TOOTH	1
8	3143016	GEAR - 18 TOOTH	1
9	3143058	GEAR - INTERNAL - ADJUSTER	1
10	3143010	SCREW - #8-16 X 1.12 PHS	4
11	3143009	SCREW - #8-32 X .50 PHS	1
12	6114121	WASHER ROLLER	1
13	3143011	NUT - #8-32 SELF LOCKING	1

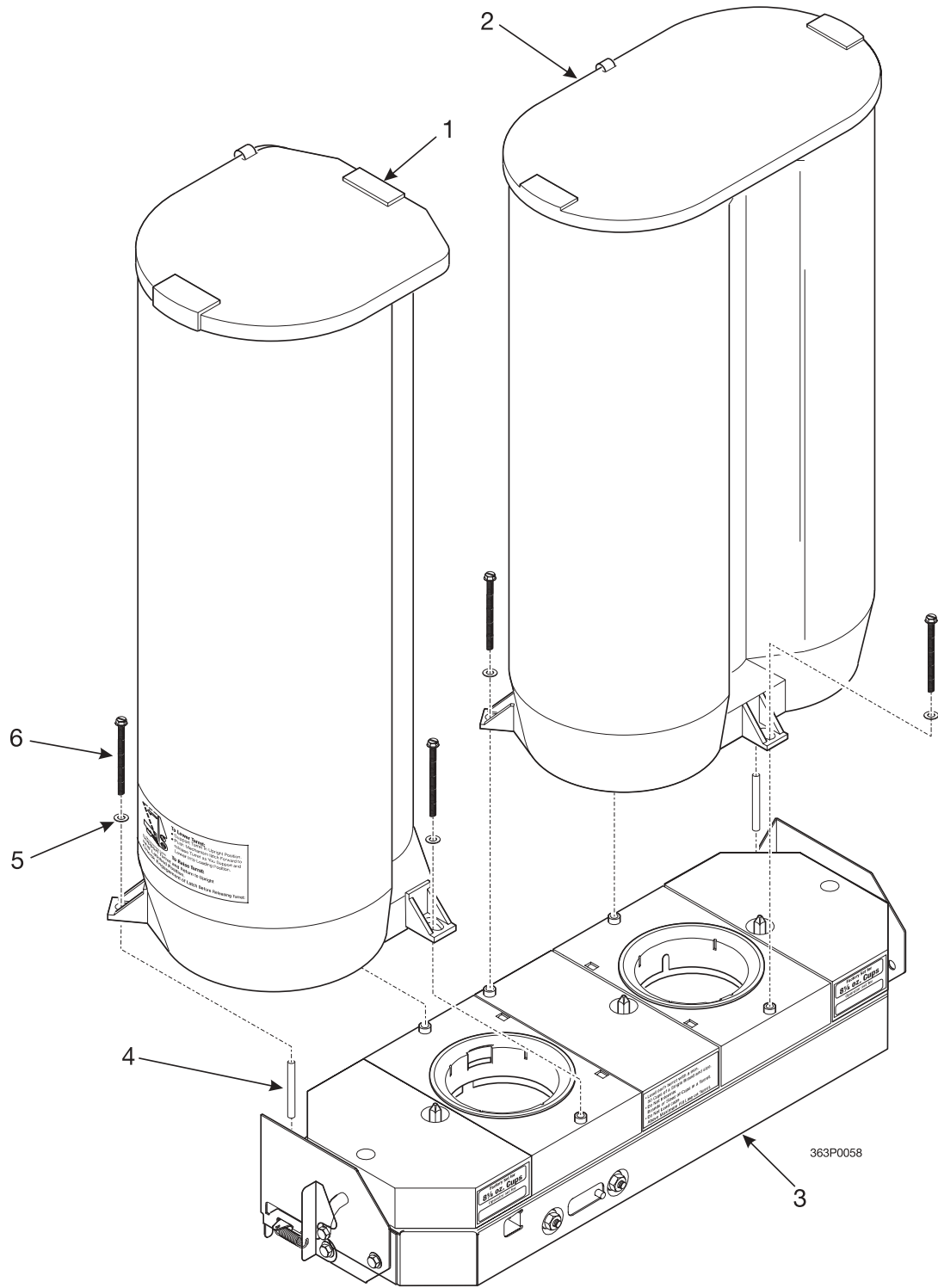


Figure 27. Mech and Canister Assembly - 11 Column

TABLE 27. MECH AND CANISTER ASSEMBLY - 11 COLUMN

INDEX	PART NUMBER	DESCRIPTION	QTY.
-	6233100	MECH & CANISTER ASSEMBLY - 11 COLUMN	1
1	6233103	TURRET & CANISTER ASSEMBLY - 4 COLUMN (SEE FIGURE 29 FOR DETAILS)	1
2	6233102	TURRET & CANISTER ASSEMBLY - 7 COLUMN (SEE FIGURE 28 FOR DETAILS)	1
3	6233101	MECHANISM ASSEMBLY - 11 COLUMN (SEE FIGURE 30 FOR DETAILS)	1
4	6263002	SPACER-.277ID X .375OD X 1.94	2
5	6233077	WASHER 5/8X.265X.048 ZINC/YE	7
6	6131066	BOLT - #1/4 X 20 X 2.38 HHS	4
7	6233007	FUNNEL - 3.25 CUP DIAMETER (NOT SHOWN)	2

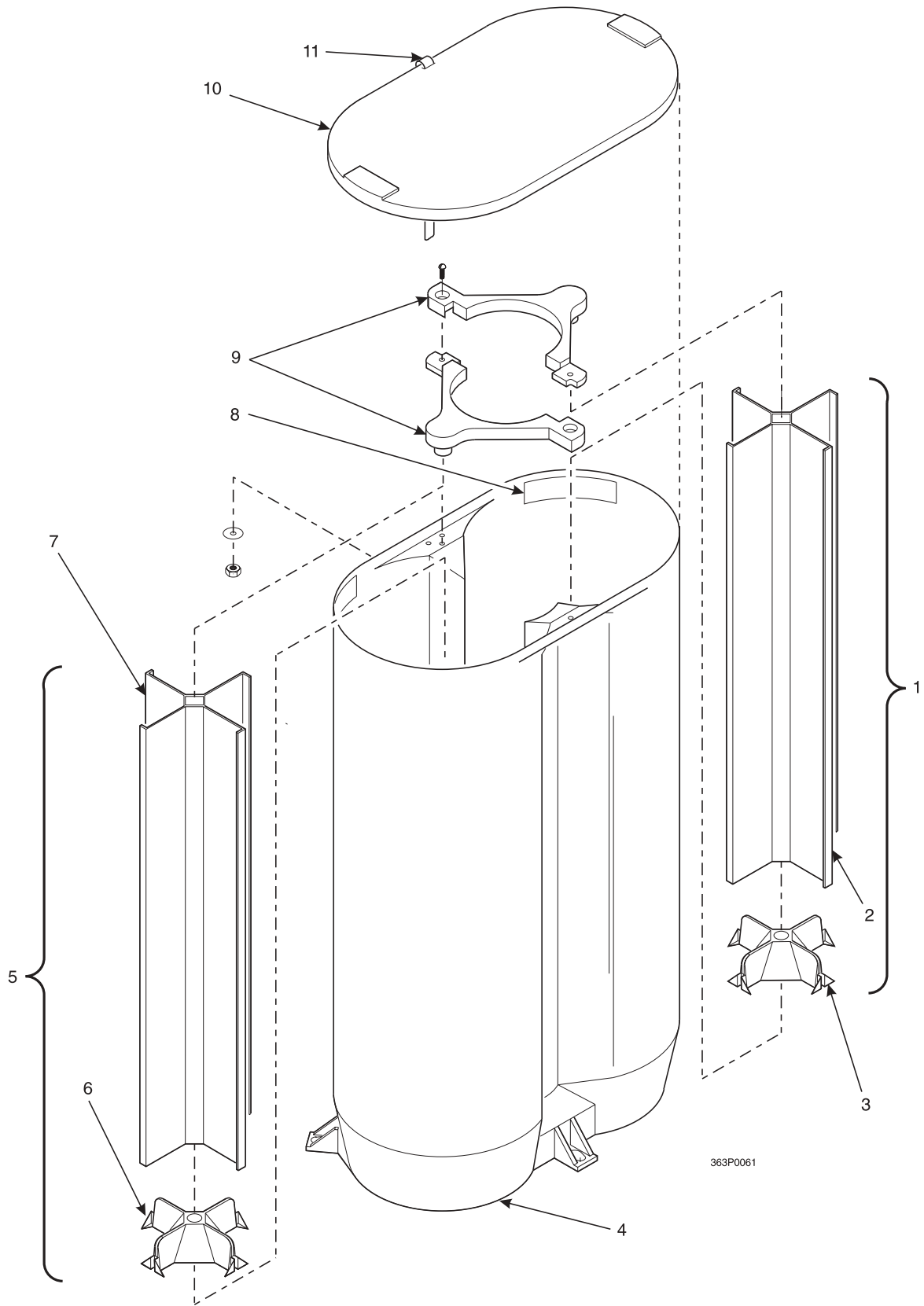


Figure 28. Turret and Canister Assembly - 7 Column

TABLE 28. TURRET AND CANISTER ASSEMBLY - 7 COLUMN

INDEX	PART NUMBER	DESCRIPTION	QTY.
-	3633012	TURRET & CANISTER ASSEMBLY	-
1	6233108	TURRET ASSEMBLY 1A (INCLUDES THE NEXT 2 ITEMS)	1
2	6233061	TURRET - CENTER	1
3	6233048	BASE - TURRET	1
4	6233092	CANISTER - CUP - 7 COLUMN	1
5	6233109	TURRET ASSEMBLY 1B (INCLUDES THE NEXT 2 ITEMS)	1
6	6233048	BASE - TURRET	1
7	6233061	TURRET - CENTER	1
8	6233095	LABEL - FILL LINE	1
9	6233030	BEARING - TURRET TOP	2
10	6233093	LID - CANISTER - 7 COLUMN	1
11	6333003	STRAP - CANISTER	1
-	6138181	WASHER - PLATE	2
-	9900081	NUT - #8-32 KEPS ZINC PLATE	-

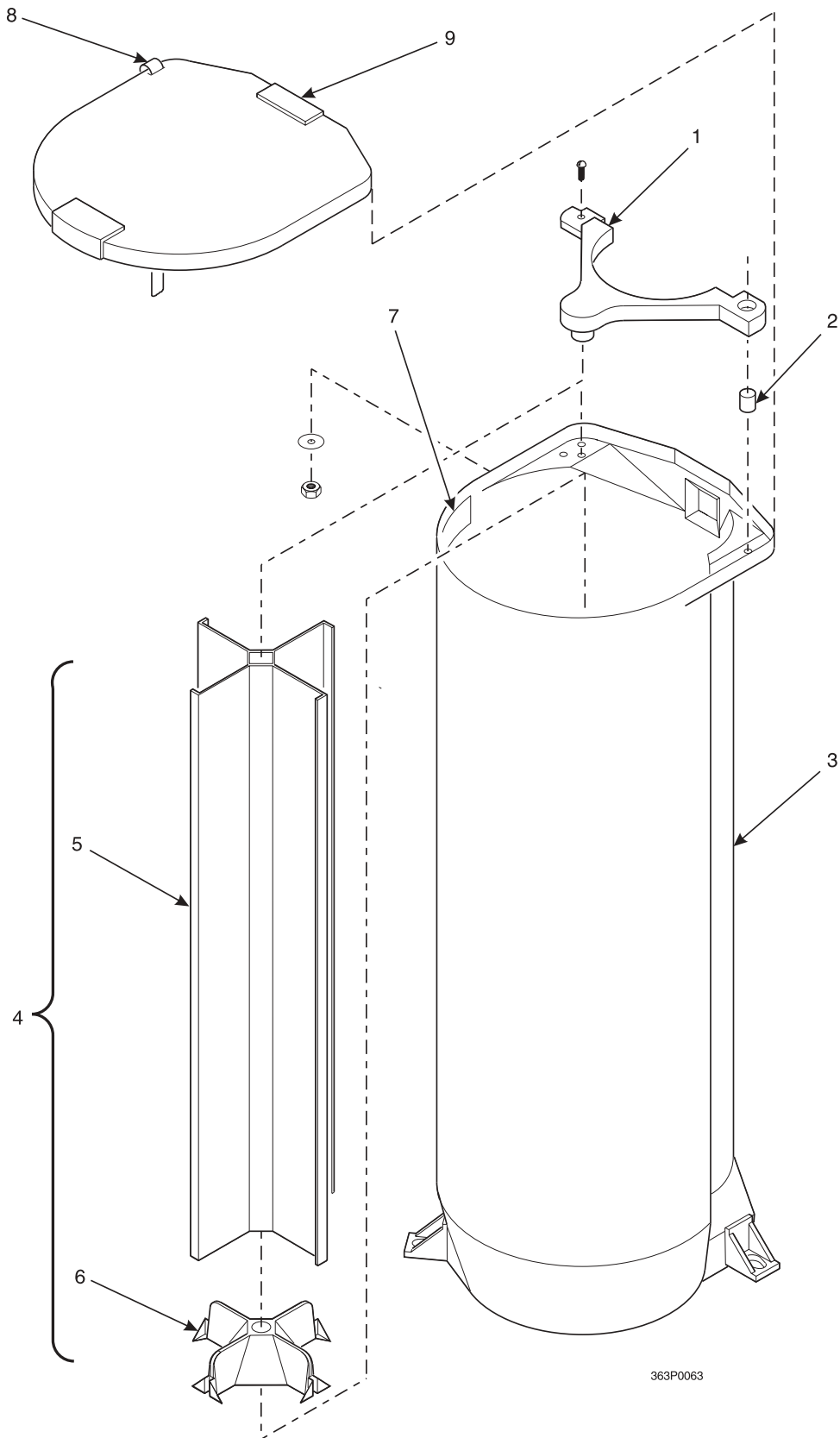


Figure 29. Turret and Canister Assembly - 4 Column

TABLE 29. TURRET AND CANISTER ASSEMBLY - 4 COLUMN

INDEX	PART NUMBER	DESCRIPTION	QTY.
-	6233103	TURRET & CANISTER ASSEMBLY - 4 COLUMN	1
1	6233030	BEARING - TURRET TOP	1
2	2302053	SPACER - CUP	1
3	6233088	CANISTER - CUP - 4 COLUMN	1
4	6233109	TURRET ASSEMBLY 1B (CONTAINS THE NEXT 2 ITEMS)	1
5	6233061	TURRET - CENTER	1
6	6233048	BASE - TURRET	1
7	6233095	LABEL-FILL LINE	1
8	6333003	STRAP - CANISTER	1
9	6233089	LID - CANISTER - 4 COLUMN	1
-	6138181	WASHER - PLATE	2
-	9000081	NUT - #8-32 KEPS ZINC PLATE	-
-	9900115	SCREW - #8-32 X 3/4 RHS	-

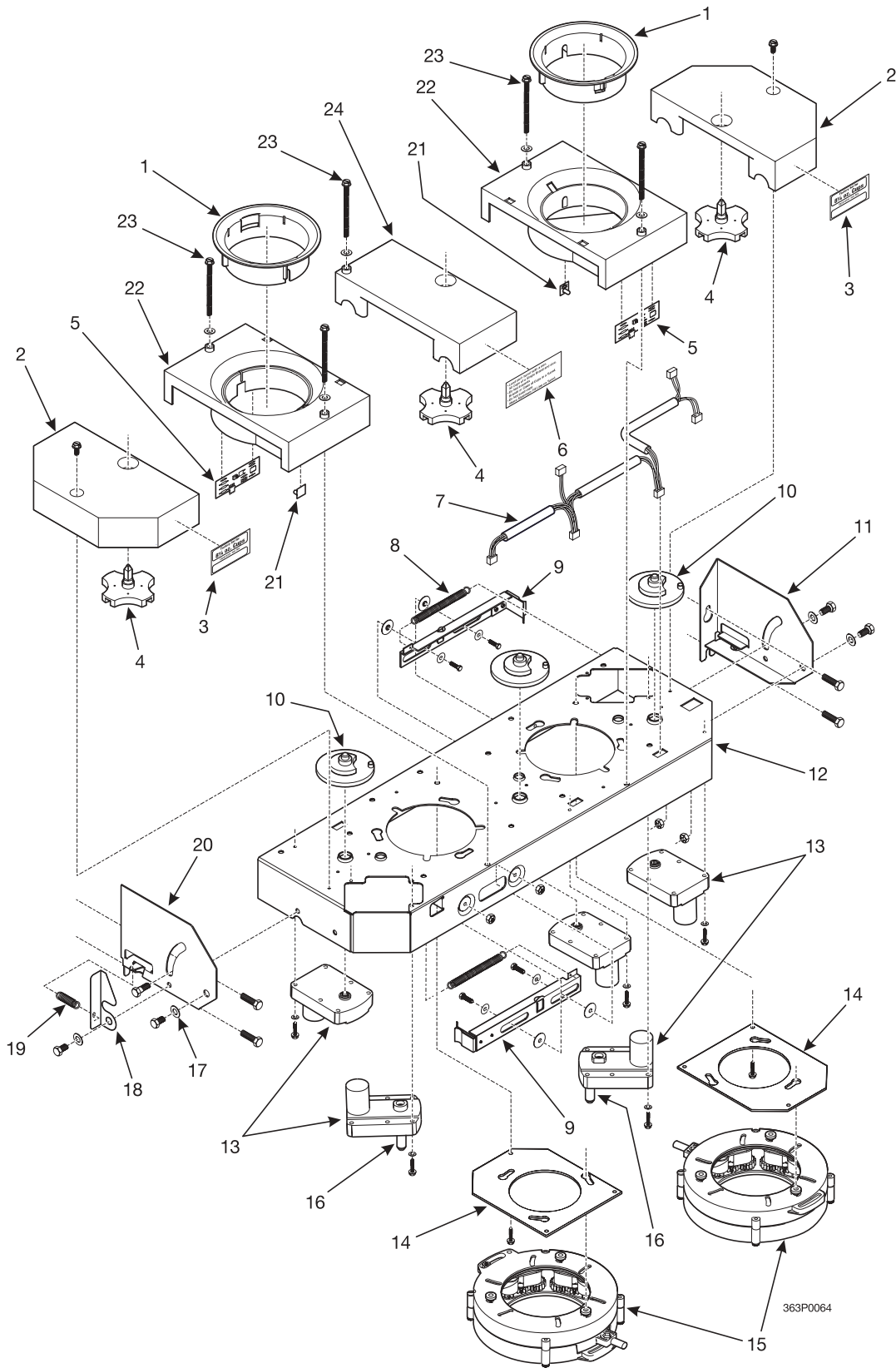


Figure 30. Mechanism Assembly - 11 Column

TABLE 30. MECHANISM ASSEMBLY - 11 COLUMN

INDEX	PART NUMBER	DESCRIPTION	QTY.
-	6233101	MECHANISM ASSEMBLY - 11 COLUMN	1
1	6233007	FUNNEL - 3.25 CUP DIAMETER	2
2	6233010	COVER - END	2
3	6233073	LABEL - CUP SIZE	2
4	6233014	INDEX PLATE - GENEVA	3
5	6233105	PCB ASSEMBLY - DETECTOR CUP SENSOR	2
6	6233074	LABEL - CUP TURRET LOADING	1
7	6239048	HARNESS - CUP MECHANISM	1
8	4733035	SPRING - CUP RELEASE ARM	2
9	6233031	ACTUATOR ASSEMBLY - CUP RING	2
10	6233013	DRIVER - GENEVA	3
11	6233019	BRACKET - MECHANISM MOUNTING - LEFT	1
12	6233016	BASE PLATE - 11 COLUMN	1
13	1577035	MOTOR & PCB ASSEMBLY	5
14	6233001	PLATE - CUP RING MOUNTING	2
15	3143005	CUP RING ASSEMBLY - 7 - 12 OZ (SEE FIGURE 31 FOR DETAILS)	2
16	6233058	CRANK ARM & ROLLER ASSEMBLY	2
17	6233028	BUSHING	8
18	6233037	LATCH	1
19	2301057	SPRING ELEVATOR STOP	1
20	6233018	BRACKET - MECHANISM MOUNTING - RIGHT	1
21	6233107	PCB ASSEMBLY - LED - CUP SENSOR	2
22	6233012	COVER - CENTER	2
23	6233077	BOLT - #1/4 X 20 X 2.38 HHS	3
24	6233082	COVER - CENTER - MOTOR	1

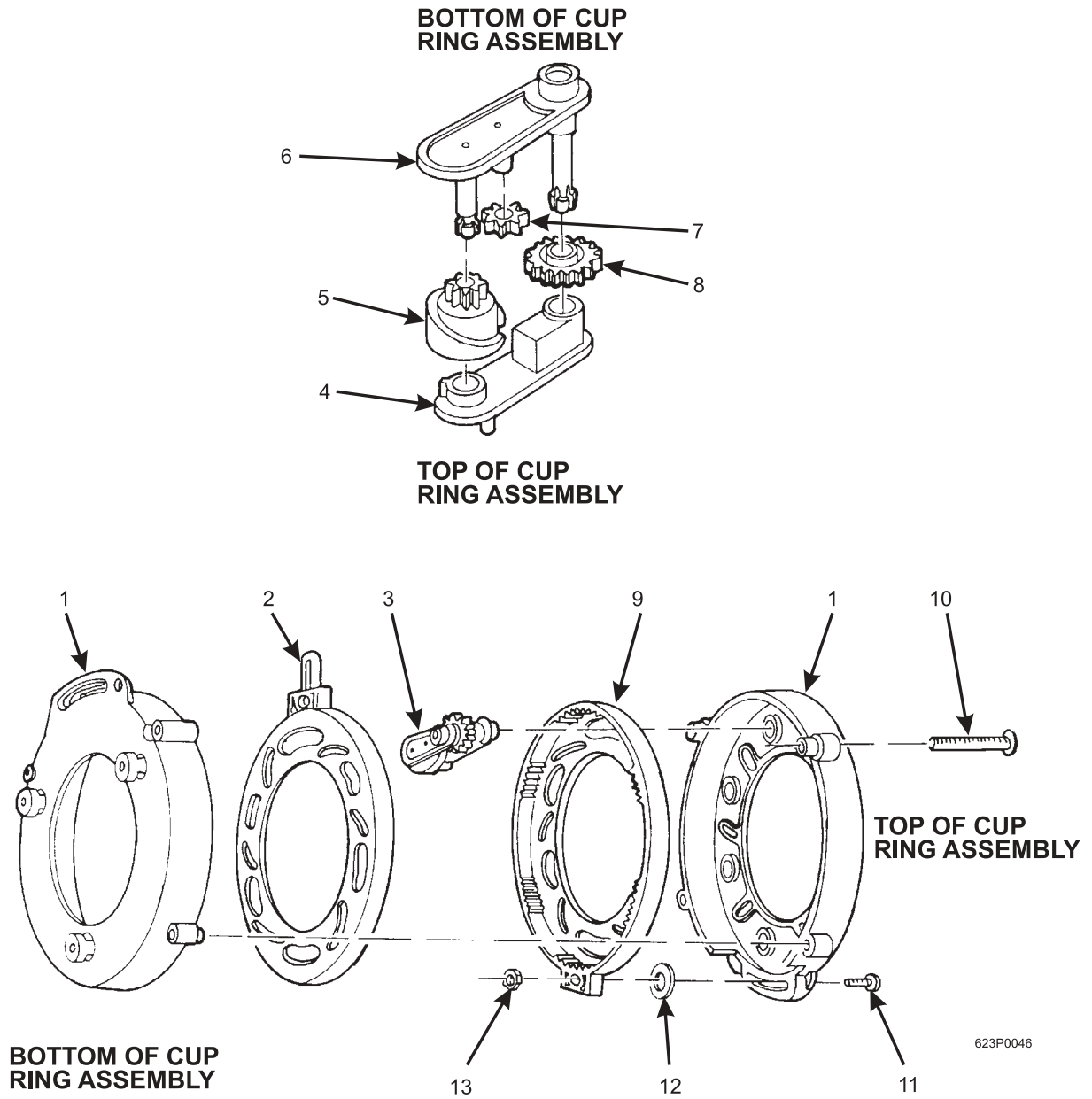


Figure 31. Cup Ring Assembly (5 oz to 12 oz)

Twin Drink Center Parts Manual

TABLE 31. CUP RING ASSEMBLY (5 OZ TO 12 OZ)

INDEX	PART NUMBER	DESCRIPTION	QTY.
-	3143005	CUP RING ASSEMBLY (5 OZ. TO 12 OZ.)	REF
1	3143006	HOUSING - CUP RING	2
2	3143007	GEAR - INTERNAL	1
3	3143130	CAM AND GEAR ASSEMBLY (INCLUDES INDEX NUMBERS 4 THROUGH 8)	6
4	3143017	RETAINER - CAM	1
5	3143129	CAM - CUP	1
6	3143013	ARM - CAM	1
7	3143015	GEAR - 10 TOOTH	1
8	3143016	GEAR - 18 TOOTH	1
9	3143008	GEAR - INTERNAL - ADJUSTER	1
10	3143010	SCREW - #8-16 X 1.12 PHS	4
11	3143009	SCREW - #8-32 X .50 PHS	1
12	6114121	WASHER ROLLER	1
13	3143011	NUT - #8-32 SELF LOCKING	1

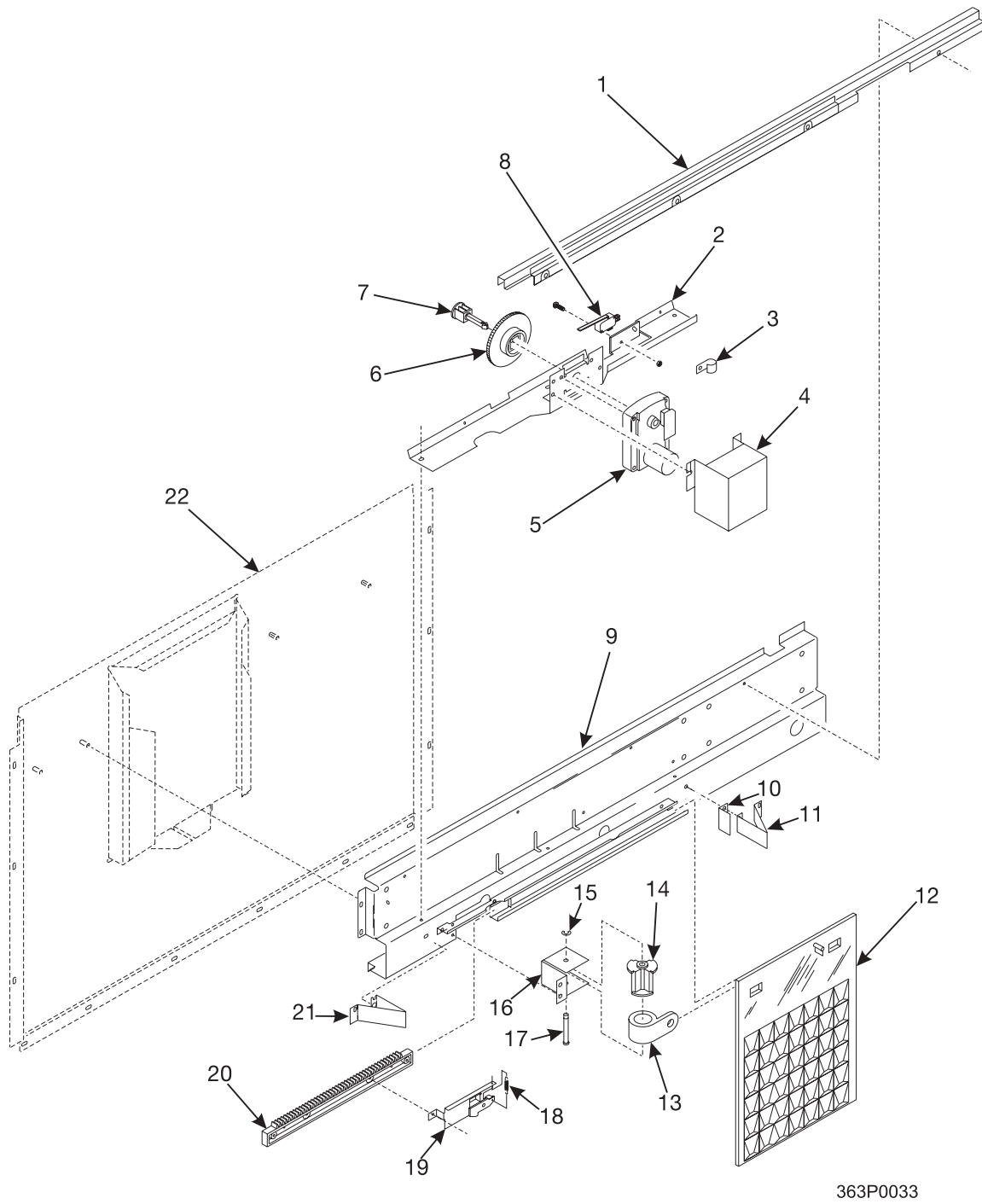
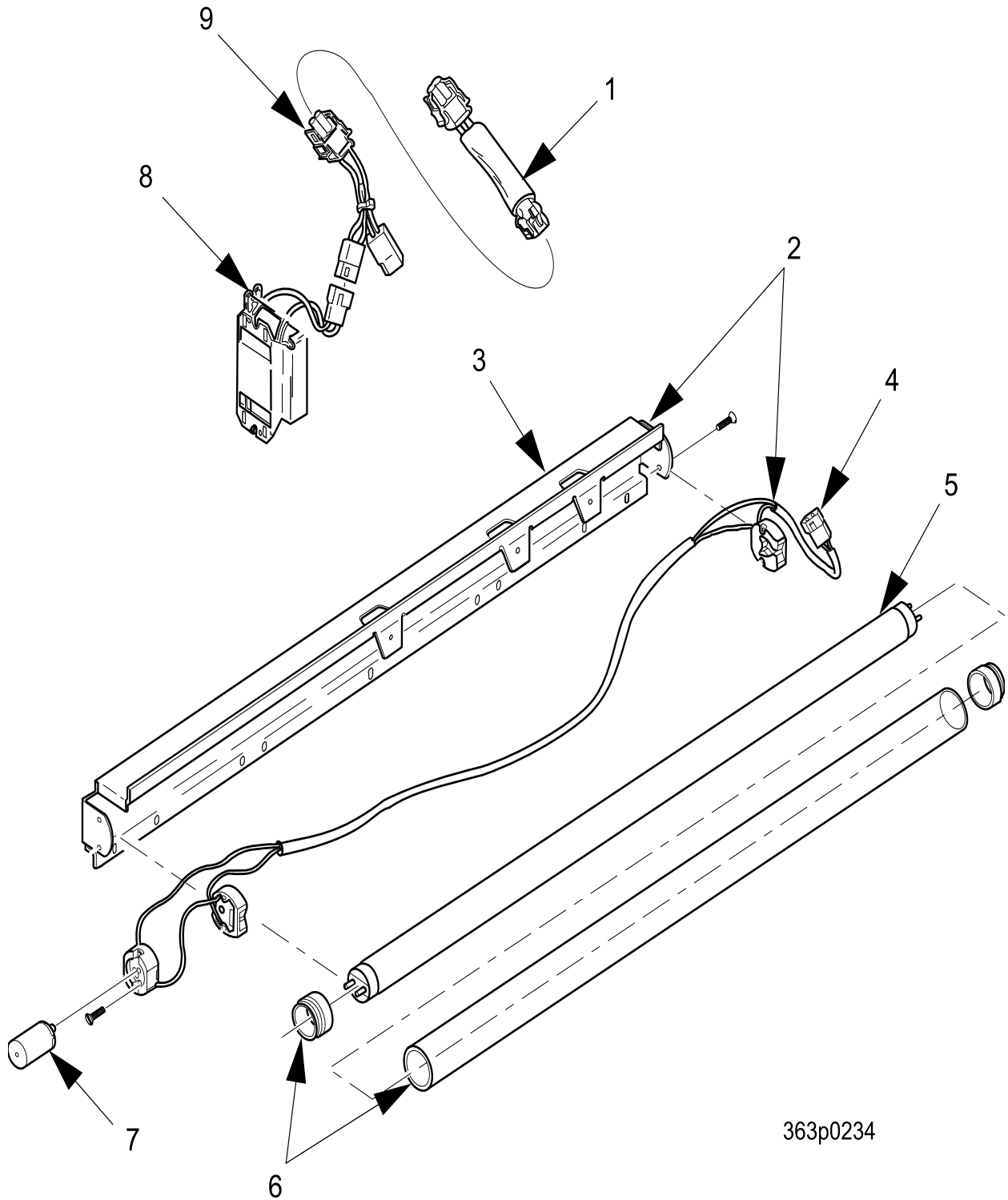


Figure 32. Automatic Delivery Door

TABLE 32. AUTOMATIC DELIVERY DOOR

INDEX	PART NUMBER	DESCRIPTION	QTY.
-	6230805	AUTOMATIC DELIVERY DOOR	OPT.
1	6232047	MOUNT ASSEMBLY-LOWER	1
2	6232079	BRACKET-MOTOR	1
3	2342315	CLIP-WIRE HARNESS	1
4	6232263	COVER-MOTOR-VEND DOOR	1
5	1577035	MOTOR & PCB ASSEMBLY	1
6	1477020	GEAR-TRAY	1
7	1477113	COUPLING-SPIRAL	1
8	5220108	SWITCH	1
9	3632020	BRACE & TRACK ASSEMBLY	1
10	6232096	STOP-DOOR VEND	1
11	6232065	DOOR-VEND	1
12	6232091	SPRING-VEND DOOR	1
13	6232084	SPOOL-SPRING	1
14	9900425	RETAINING RING REINF E TYP.250	1
15	6232089	HOUSING-SPRING	1
16	6232085	SHAFT-SPOOL	1
17	3108141	SPRING COVER AIR GAP	1
18	6232160	PLATE ASSEMBLY-RACK	1
19	6234106	RACK-BREWER	1
20	3632023	CENTER PLATE ASSEMBLY	1



363p0234

Figure 33. Fluorescent Lamp Assembly and Ballast

TABLE 33. FLUORESCENT LAMP ASSEMBLY AND BALLAST

INDEX	PART NUMBER	DESCRIPTION	QTY.
1	3156032	JUMPER - FILTER AND FLUORESCENT LIGHT	1
2	1451124	SUPPRESSION NETWORK ASSEMBLY	1
	6332010	SUPPRESSION ASSEMBLY - 230V	
3	3151058	BALLAST ASSEMBLY - 14/20 WATT	1
	6332009	BALLAST ASSEMBLY - 18 WATT - 230V	
4	6332006	LIGHT BRACKET ASSEMBLY	1
5	6232068	BRACKET - LIGHT TUBE (STANDARD STYLING ONLY)	1
6	6339006	HARNESS - FLUORESCENT LIGHT	1
7	3632138	BRACKET - LIGHT TUBE (MILLENNIA ONLY)	1
8	2222535	FLUORESCENT LAMP - 19 WATT - 26"L	1
9	6232158	SAFETY SLEEVE - LAMP	1
10	6232159	END CAP - SLEEVE	2
11	2222095	FLUORESCENT LAMP STARTER	1

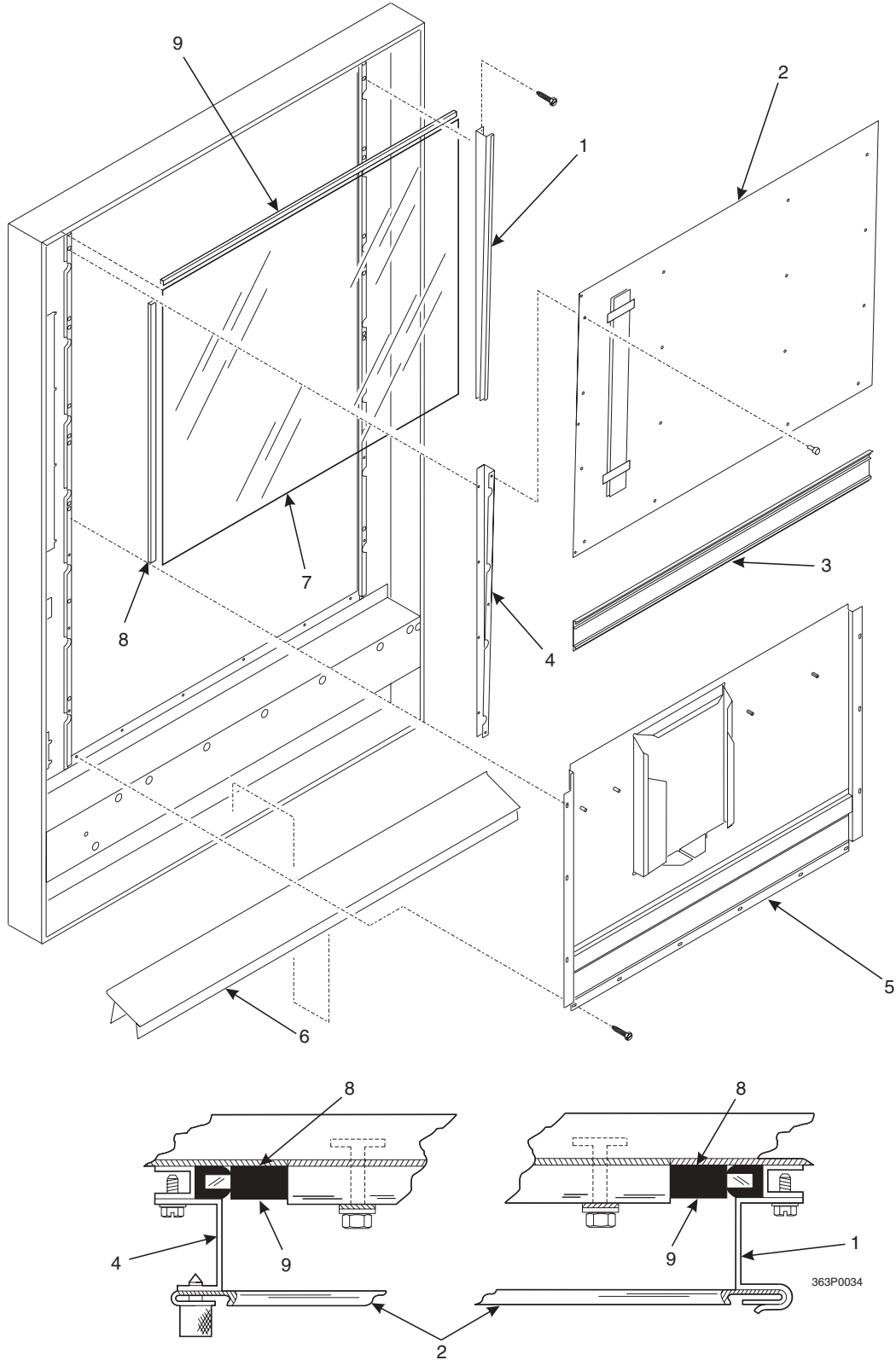
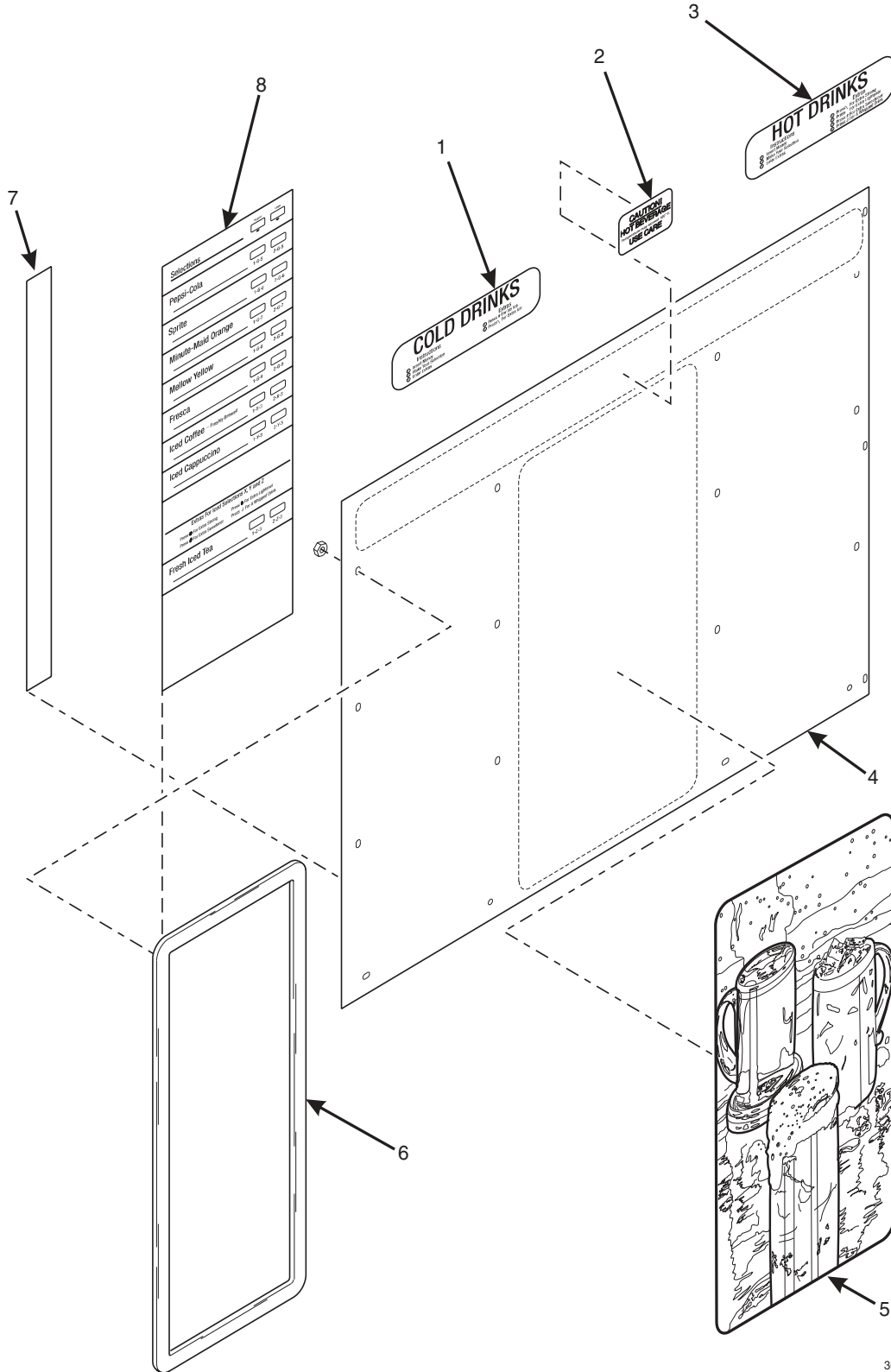


Figure 34. Display Assembly (Part 1 of 2)

TABLE 34. DISPLAY ASSEMBLY (PART 1 OF 2)

INDEX	PART NUMBER	DESCRIPTION	QTY.
1	6232043	MOUNT - DISPLAY-RIGHT	1
2	3632008	PANEL - DISPLAY - PRODUCT	1
3	3632007	TRIM - HORIZONTAL - GLASS	1
4	6232042	MOUNT - DISPLAY - LEFT	1
5	3632023	CENTER PLATE ASSEMBLY	1
6	1452151	FILLER STRIP - SANITATION	1
7	3632022	GLASS - DISPLAY	1
8	6232071	CHANNEL - GLASS - VERTICAL	2
9	6232070	CHANNEL - GLASS - HORIZONTAL	2



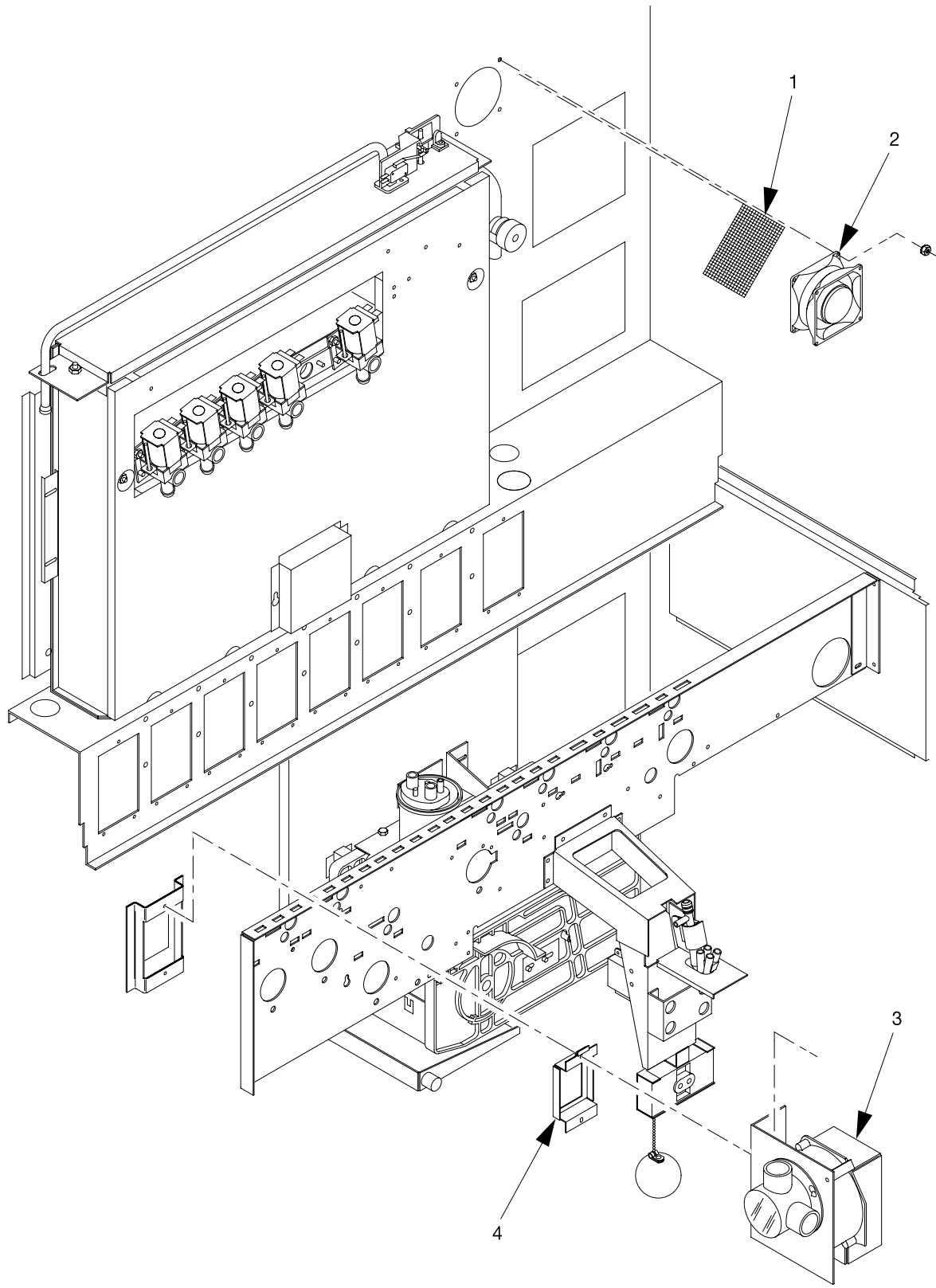
363P0031

Figure 35. Display Assembly (Part 2 of 2)

TABLE 35. DISPLAY ASSEMBLY (PART 2 OF 2)

INDEX	PART NUMBER	DESCRIPTION	QTY.
1	3632049	LABEL - INSTRUCTIONS - COLD DRINKS - ENGLISH	1
2	6272001	LABEL - CAUTION - HOT BEVERAGES	1
3	3632050	LABEL - INSTRUCTIONS - HOT DRINKS - ENGLISH	1
4	3632008	PANEL - DISPLAY - PRODUCT	1
5	3632264	DISPLAY - PHOTO - P.O.P.	1
6	6232044	FRAME - PRODUCT IDENTIFIER	2
7	6232219	FILLER - FRAME	2
8	-	MENU INSERTS (SEE BAG ASSEMBLY TABLES FOR DETAILS)	-

Twin Drink Center Parts Manual



363p011c

Figure 36. Miscellaneous Mounted Parts - Cabinet (Part 1 of 6)

TABLE 36. MISCELLANEOUS MOUNTED PARTS - CABINET (PART 1 OF 6)

INDEX	PART NUMBER	DESCRIPTION	QTY.
1	6231528	SCREEN - EXHAUST FAN	1
2	6231526	EXHAUST FAN	1
3	6331089	BRACKET, BLOWER & COVER ASSEMBLY (U.S.)	1
	6331090	BRACKET, BLOWER & COVER ASSEMBLY (INTERNATIONAL)	
4	1471055	BEZEL - EXHAUST FAN	1

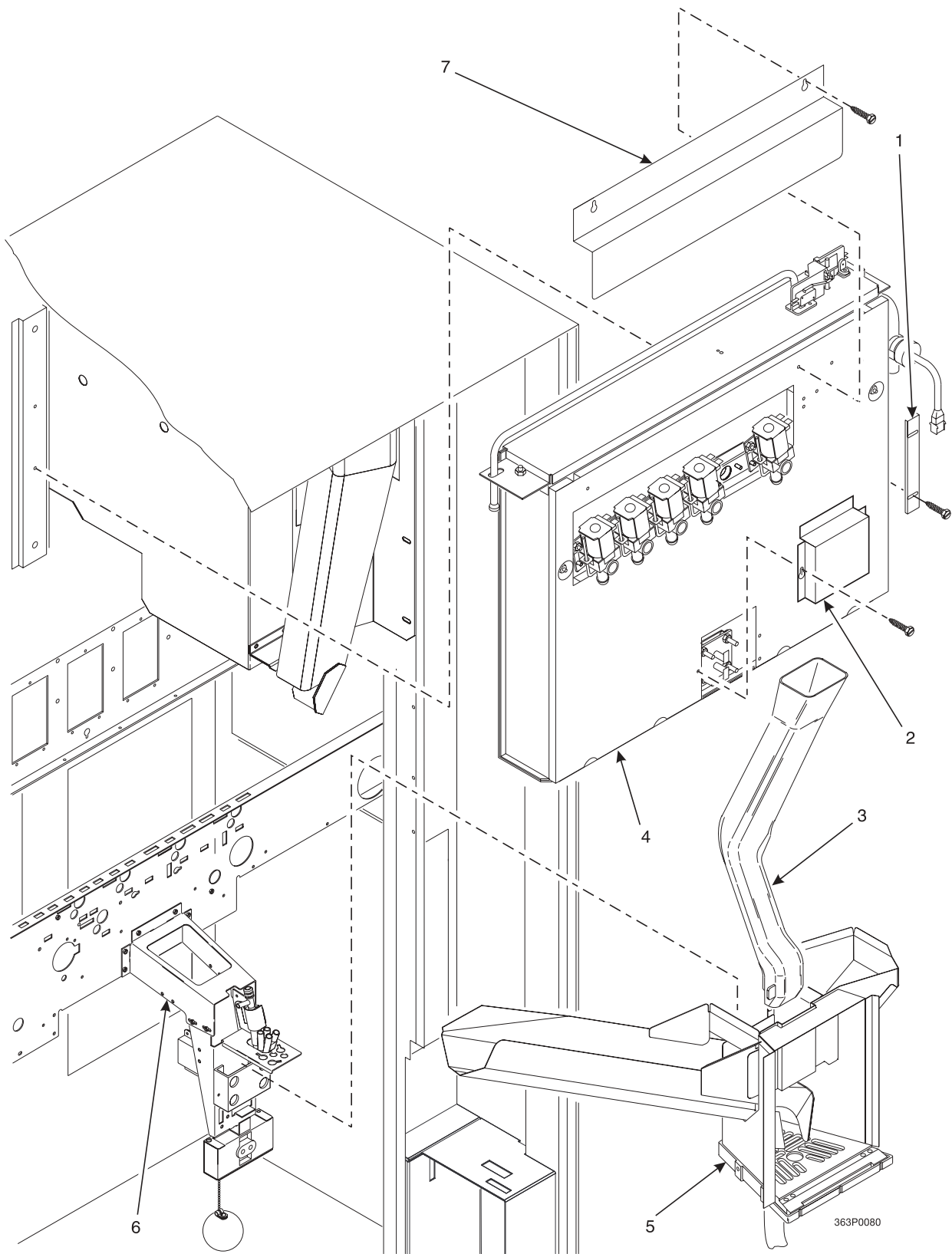
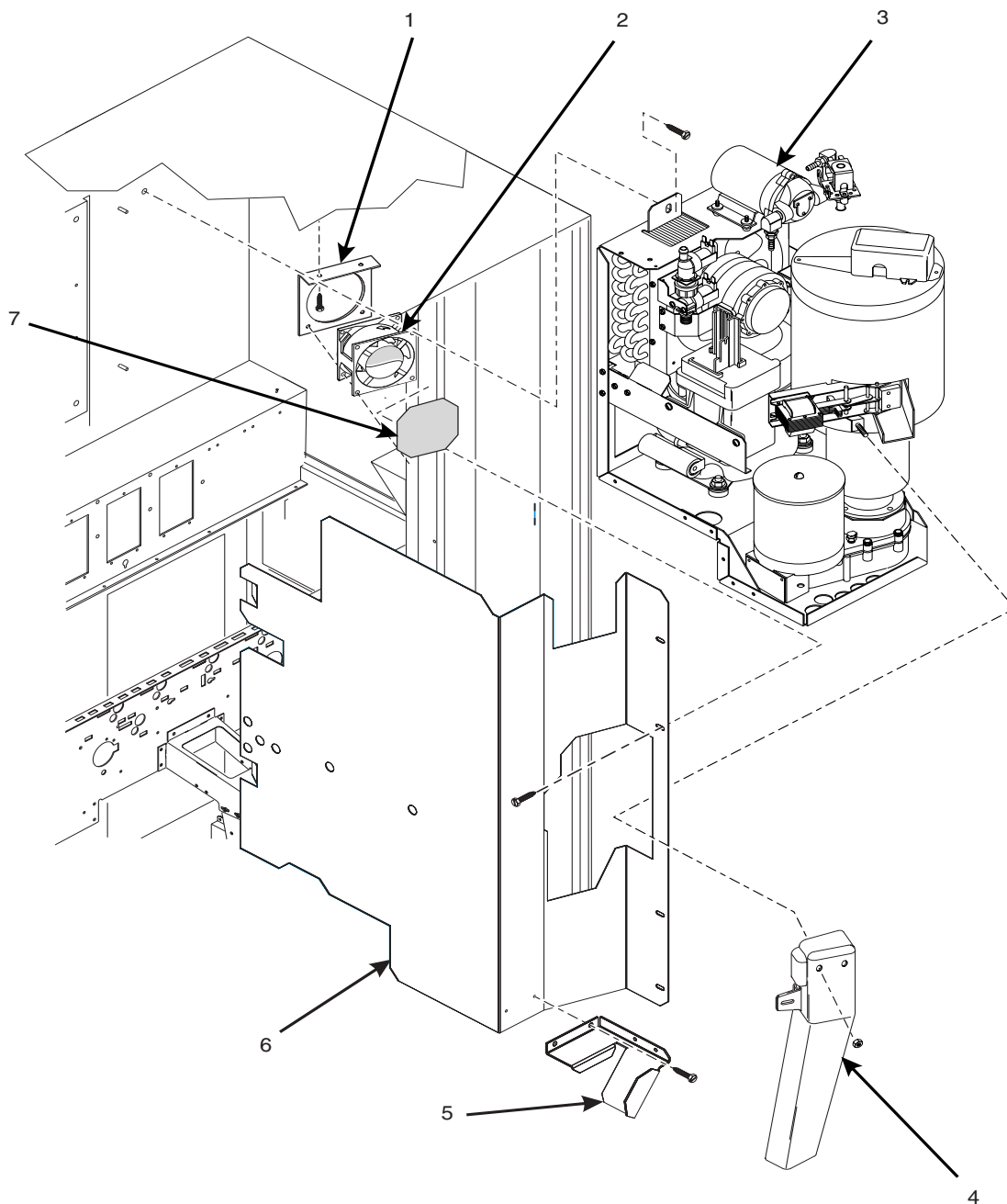


Figure 37. Miscellaneous Mounted Parts - Cabinet (Part 2 of 6)

TABLE 37. MISCELLANEOUS MOUNTED PARTS - CABINET (PART 2 OF 6)

INDEX	PART NUMBER	DESCRIPTION	QTY.
1	6231036	CLAMP-WATER TANK	-
2	6238104	COVER - HEATER - WATER TANK	-
3	3634042	ICE CHUTE - LOWER	-
4	6338044	WATER TANK ASSEMBLY (SEE FIGURE 43 FOR DETAILS)	-
5	3631130	CUP DELIVERY ASSEMBLY (SEE FIGURE 47 FOR DETAILS)	-
6	-	CUP STATION SUPPORT ASSEMBLY (SEE FIGURE 48 FOR DETAILS)	-
7	6238105	COVER - HOT WATER VALVES (U.S.)	-
	6338032	COVER - HOT WATER VALVES (INTERNATIONAL)	

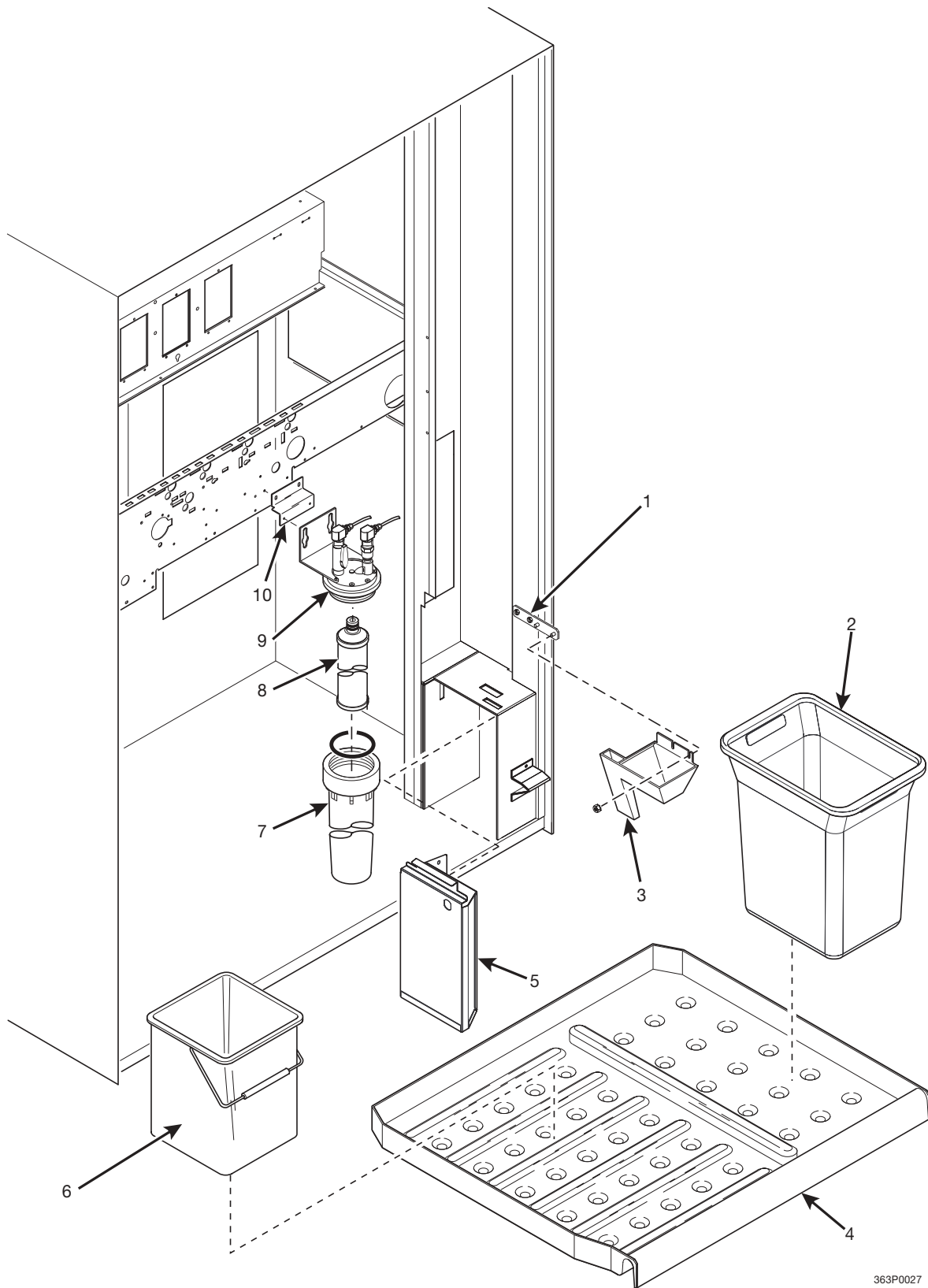


363P0081

Figure 38. Miscellaneous Mounted Parts - Cabinet (Part 3 of 6)

TABLE 38. MISCELLANEOUS MOUNTED PARTS - CABINET (PART 3 OF 6)

INDEX	PART NUMBER	DESCRIPTION	QTY.
1	3634172	BRACKET - EXHAUST FAN - ICE HOPPER	-
2	6231526	EXHAUST FAN	-
3	3634160	ICEMAKER - FINAL ASSEMBLY - COOL SAN (SEE FIGURE 49 FOR DETAILS)	-
4	3631151	ICE CHUTE - UPPER	-
5	3634170	SUPPORT - ICE CHUTE	-
6	3634151	COVER - ICEMAKER	-
7	3634171	SCREEN - EXHAUST FAN - ICE HOPPER	-



363P0027

Figure 39. Miscellaneous Mounted Parts - Cabinet (Part 4 of 6)

Twin Drink Center Parts Manual

TABLE 39. MISCELLANEOUS MOUNTED PARTS - CABINET (PART 4 OF 6)

INDEX	PART NUMBER	DESCRIPTION	QTY.
1	3631036	BRACKET -COIN CHUTE	1
2	3631172	BUCKET - GROUNDS	1
3	6231242	CHUTE - PAYOUT	1
4	3631051	LINER - FLOOR	1
5	3631160	MONEY BOX ASSEMBLY	1
6	4751162	PAIL - 8.5" SQUARE X 13.0"	1
7	6408028	HOUSING, CARTRIDGE, "O" RING - HLV192H HYDRO LIFE #G6721	1
8	6408027	CARTRIDGE - FILTER - HLV 192H "A" HYDRO LIFE #G6446	1
-	1470761	MONEY BOX LOCK OPTION (NOT SHOWN) INCLUDES THE FOLLOWING 4 ITEMS:	OPT.
-	1101906	MONEY BOX LOCK - CHICAGO LOCK #18	1
-	2221920	KEY - CHICAGO LOCK #1801 NV407	1
-	2222603	NUT - LOCK RETAINING	1
-	2222604	WASHER - LOCK BARREL - #2693	1
9	-	WATER SUPPLY - WITH HYDROLIFE WATER FILTER OPTION (SEE FIGURE 99 FOR DETAILS)	-
10	3634168	BRACKET - MOUNTING - WATER FILTER	1

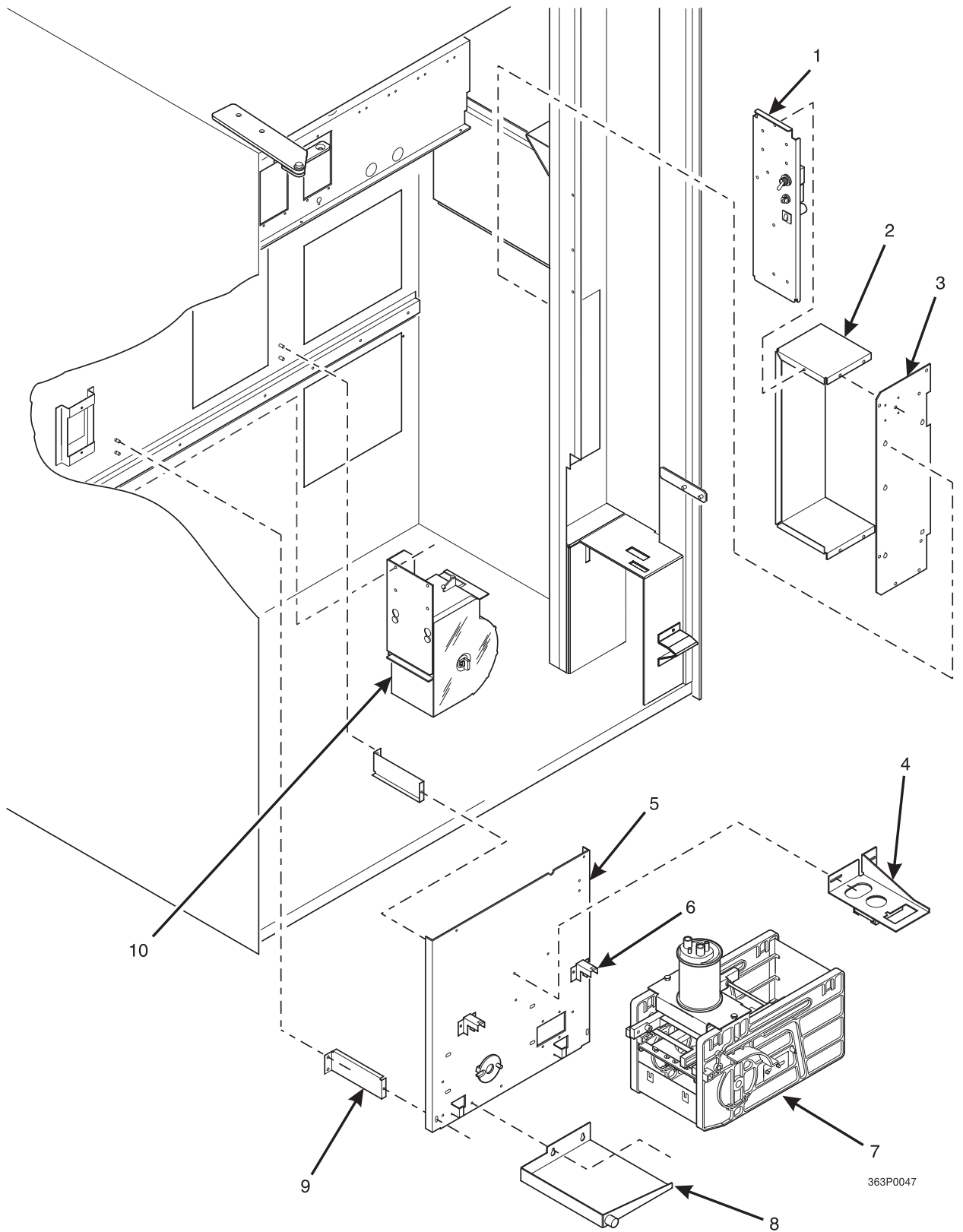


Figure 40. Miscellaneous Mounted Parts - Cabinet (Part 5 of 6)

Twin Drink Center Parts Manual

TABLE 40. MISCELLANEOUS MOUNTED PARTS - CABINET (PART 5 OF 6)

INDEX	PART NUMBER	DESCRIPTION	QTY.
1	3631079	POWER PANEL ASSEMBLY (U.S.)	1
	1571083	POWER PANEL ASSEMBLY (U.K.)	
	1571084	POWER PANEL ASSEMBLY (FRANCE/GERMANY)	
2	3631116	HOUSING - POWER PANEL	1
3	3631019	PLATE - POWER PANEL	1
4	6237352	LOCATOR & BRACKET ASSEMBLY	1
5	6334005	BREWER DRIVE ASSEMBLY (U.S.)	1
	6334002	BREWER DRIVE ASSEMBLY (INTERNATIONAL)	
6	6234294	MOUNTING BRACKET - BREWER	1
7	6234000	SINGLE BREWER ASSEMBLY WITH FILTER	1
8	3634011	DRAIN PAN ASSEMBLY - BREWER	1
9	6234516	BRACKET - MOUNTING PLATE	1
10	-	FILTER PAPER CANISTER (SEE FIGURE 67 FOR DETAILS)	OPT.

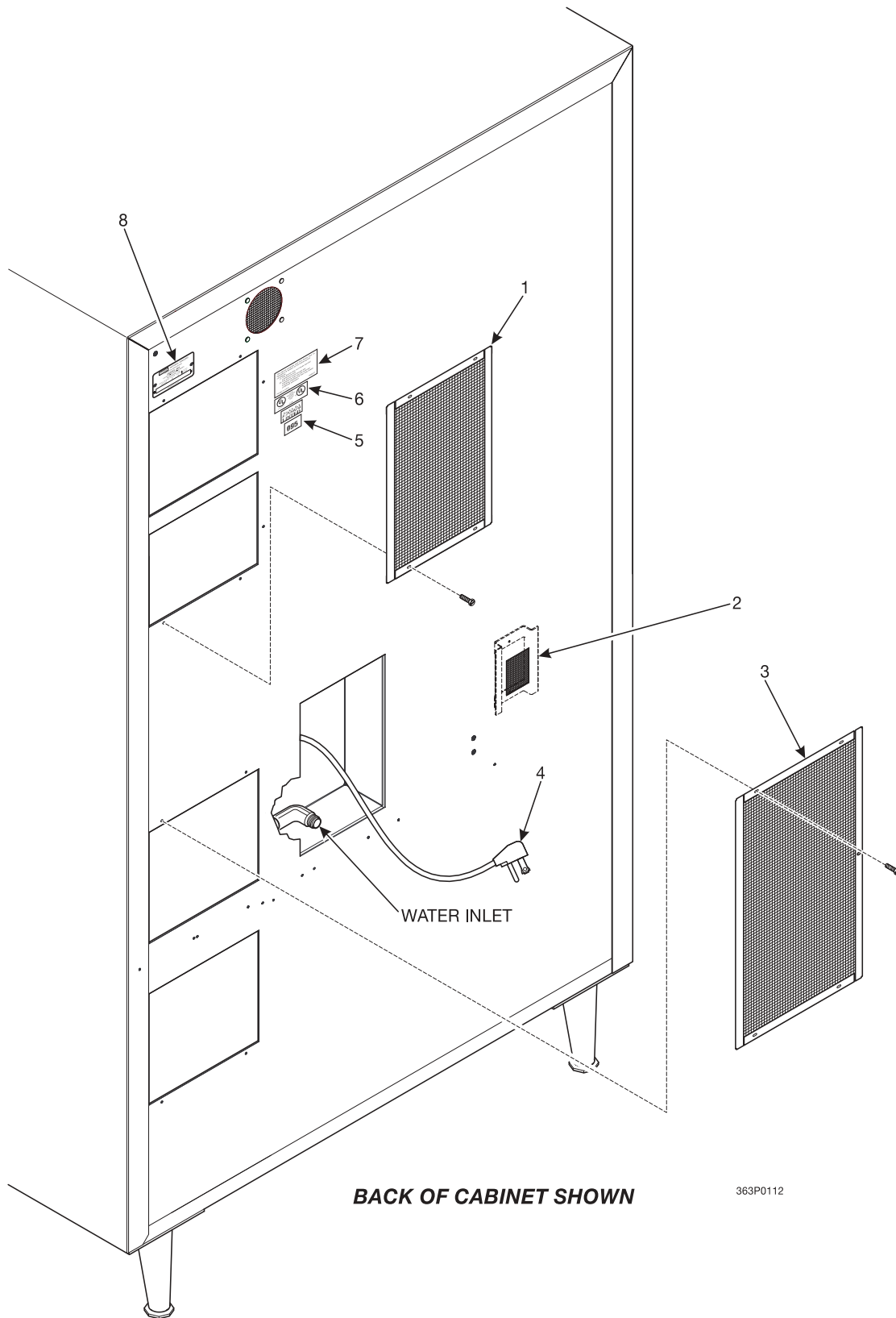


Figure 41. Miscellaneous Mounted Parts - Cabinet (Part 6 of 6)

TABLE 41. MISCELLANEOUS MOUNTED PARTS - CABINET (PART 6 OF 6)

INDEX	PART NUMBER	DESCRIPTION	QTY.
1	3631147	SCREEN ASSEMBLY	1
2	1471054	BRACKET AND SCREEN ASSEMBLY - EXHAUST	1
3	3631028	SCREEN ASSEMBLY	1
4	6231098	POWER CORD ASSEMBLY - DOMESTIC	1
5	9989682	LABEL - DATE CODE	1
6	4111093	LABEL - U.L. AND U.L. CANADA	1
7	5580121	LABEL - FCC APPROVAL	1
8	3641001	TAG - ELECTRICAL RATING - 115V	1

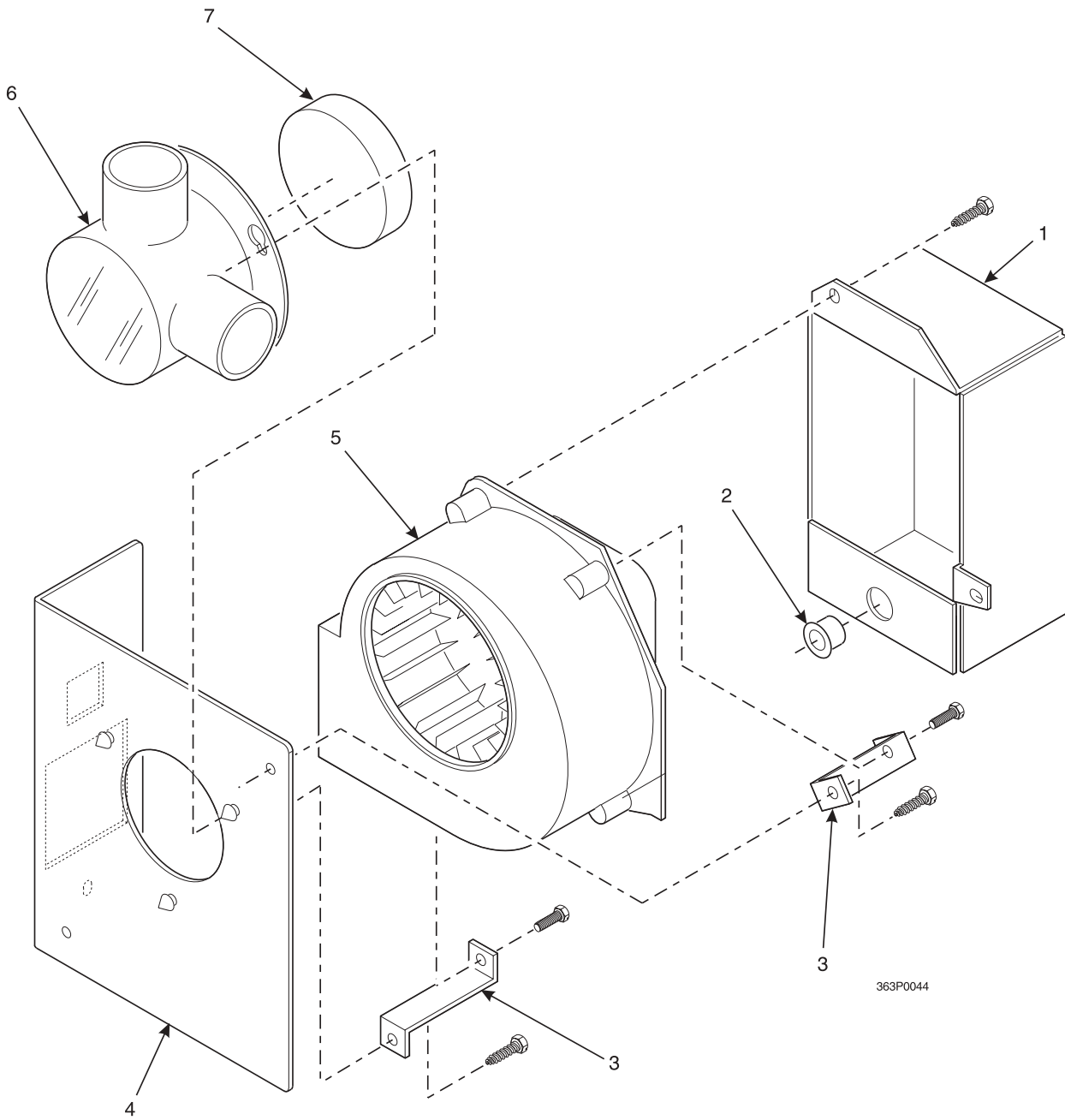


Figure 42. Bracket, Blower, and Cover Assembly

TABLE 42. BRACKET, BLOWER, AND COVER ASSEMBLY

INDEX	PART NUMBER	DESCRIPTION	QTY.
-	6331089	BRACKET, BLOWER & COVER ASSEMBLY (U.S.)	1
	6331090	BRACKET, BLOWER & COVER ASSEMBLY - 230 VOLTS (AUS./BRZ./FR./GER./L.A./N.Z./SP./SW./U.K.)	
1	6231074	GUARD - BLOWER MOTOR	1
2	3502097	BUSHING #OCB-500	2
3	6231553	TIE DOWN - BLOWER ASSEMBLY	1
4	6231550	BRACKET ASSEMBLY - BLOWER MOUNTING	1
5	6231548	BLOWER ASSEMBLY - 120V (U.S.)	1
	6401088	BLOWER ASSEMBLY - 230V (AUS./BRZ./FR./GER./L.A./N.Z./SP./SW./U.K.)	
6	6237342	HOUSING - EXHAUST BLOWER	1
7	6237340	FILTER - EXHAUST BLOWER	1

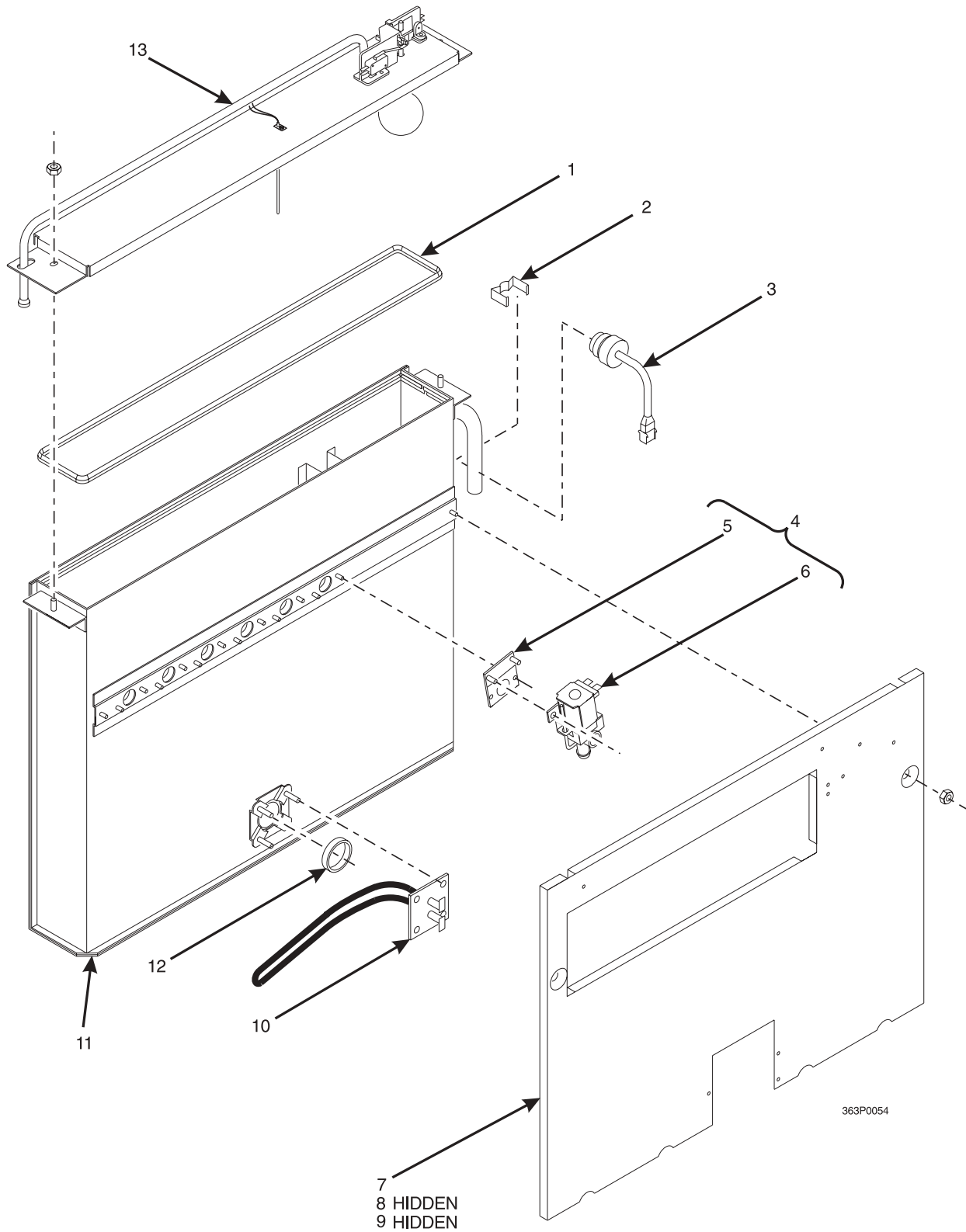


Figure 43. Hot Water Tank Assembly

TABLE 43. HOT WATER TANK ASSEMBLY

INDEX	PART NUMBER	DESCRIPTION	QTY.
-	6338044	WATER TANK ASSEMBLY - BASIC - DOM	-
1	6238026	GASKET - VULCANIZED - WATER TANK	1
2	6338002	CLAMP - THERMOSTAT - 5/8 O.D.	1
3	6338003	THERMOSTAT ASSEMBLY - AUTO RESET	1
4	6238112	VALVE ASSEMBLY - H.W.T. - 115V (INCLUDES THE FOLLOWING 5 ITEMS)	3
5	6238113	VALVE - MOUNTING PLATE & STUD ASSEMBLY	1
6	6338053	VALVE - 120V - HWT	1
-	6118106	TUBING - PLASTIC 1/4 OD X 1/8 ID (NOT SHOWN)	3
-	6238074	"O"RING - .48 ID X .10 (NOT SHOWN)	1
-	9900081	NUT - #8-32 KEPS ZINC PLATE (NOT SHOWN)	1
7	6238075	COVER - FRONT-WATER TANK	1
8	6238137	INSULATION - TOP - HOT WATER TANK (NOT SHOWN)	1
9	6238136	INSULATION - BOTTOM - HOT WATER TANK (NOT SHOWN)	1
10	6338041	HEATER - 1250W - 120V	1
11	6338007	WELD ASSEMBLY - WATER TANK	1
12	6238042	GASKET - HEATER	1
13	6338046	LID ASSEMBLY - FINAL - H.W.T.	1

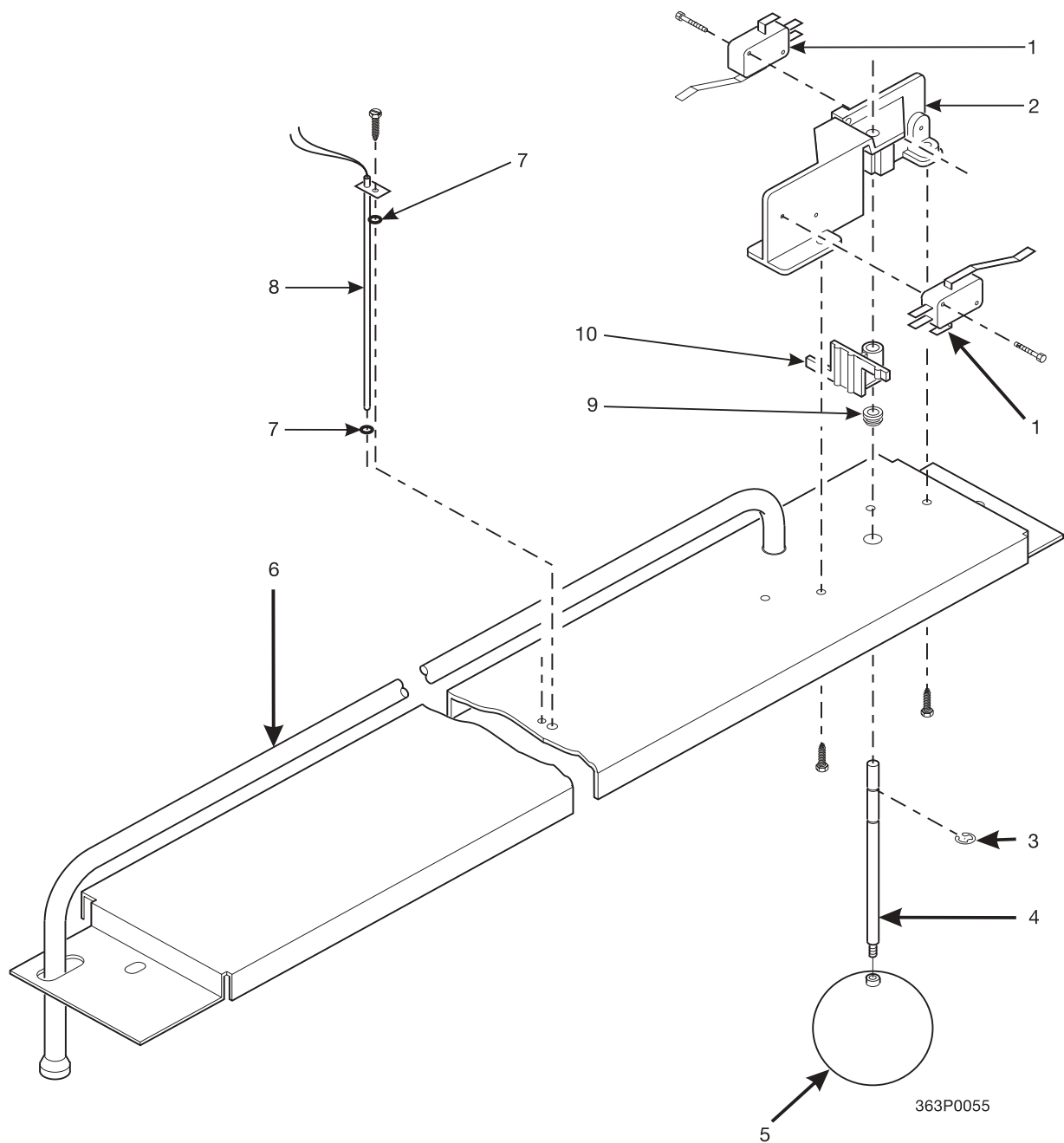


Figure 44. Water Tank Lid Assembly

TABLE 44. WATER TANK LID ASSEMBLY

INDEX	PART NUMBER	DESCRIPTION	QTY.
-	6338046	LID ASSEMBLY - FINAL - H.W.T.	-
1	6238084	SWITCH - LEVER - 10 GRAM	2
2	6238068	BRACKET - MOUNTING - SWITCH	1
3	6124073	RETAINING RING REINF E TYP.156	1
4	6338049	SHAFT - FLOAT	1
5	6508033	FLOAT - WATER TANK	1
6	6338047	WELD ASSEMBLY - COVER - LG. INLET - W.T.	1
7	6138287	O RING	2
8	6338051	SENSOR - TEMPERATURE - H.W.T.	1
9	6338050	BEARING - LID - HOT WATER TANK	1
10	6138183	ACTUATOR - SWITCH	1

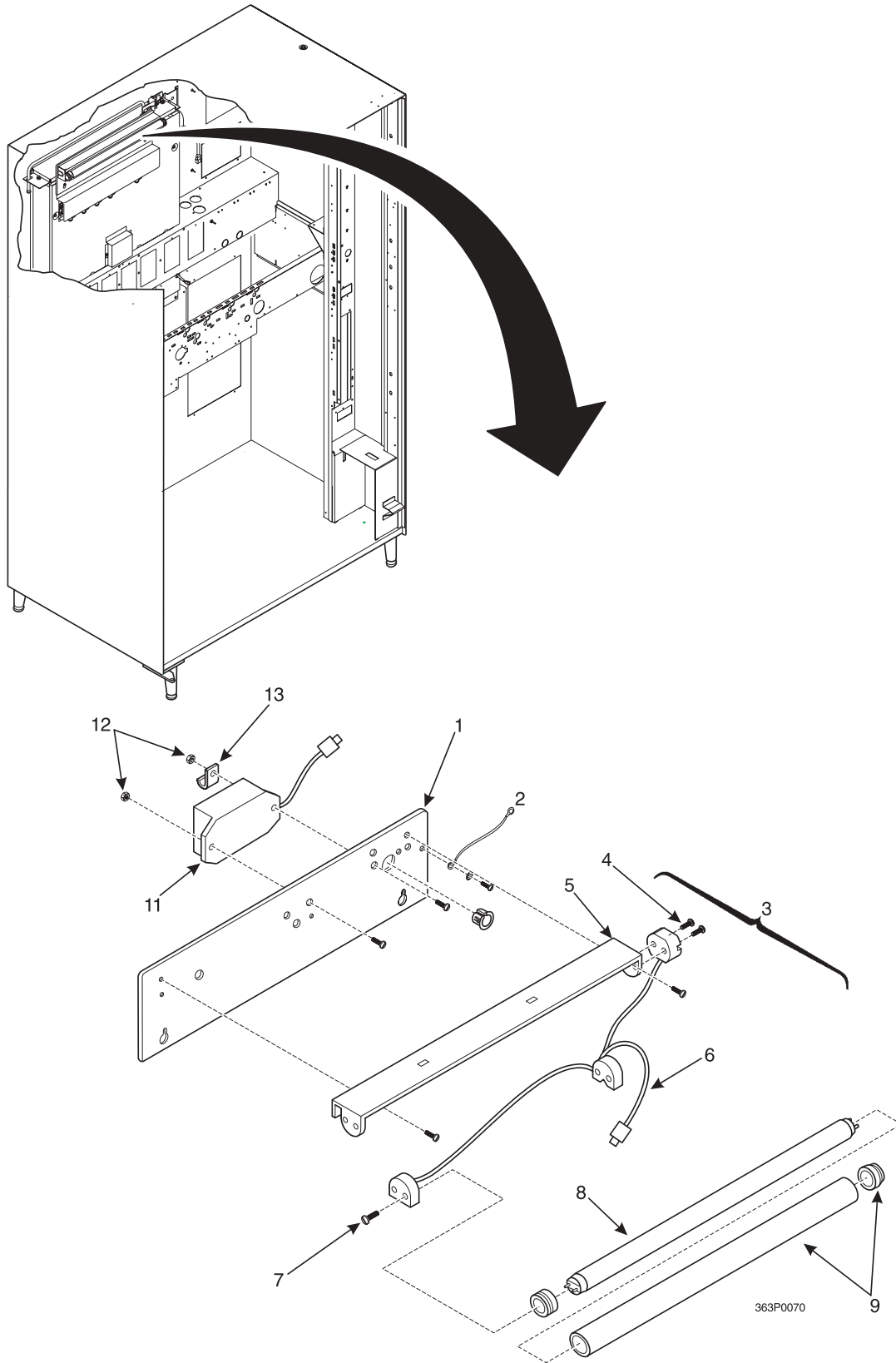


Figure 45. Service Light/Bracket Assembly

TABLE 45. SERVICE LIGHT/BRACKET ASSEMBLY

INDEX	PART NUMBER	DESCRIPTION	QTY.
-	6231372	SERVICE LIGHT/BRACKET ASSEMBLY - U.S.	1
1	6231559	BRACKET - SERVICE LIGHT	1
2	9984165	JUMPER - GROUND WIRE	1
3	6231232	LIGHT ASSEMBLY - FLUORESCENT (INCLUDES INDEX NUMBERS 4 - 7)	1
4	3107171	SCREW - #4-36 X 5/8 RHS	2
5	2272036	BRACKET - LOWER LIGHT	1
6	2346016	HARNESS - FLUORESCENT LIGHT	1
7	1452076	SCREW-#4-36 X .437 RHS	2
8	2222096	FLUORESCENT LAMP	1
9	6232305	LAMP SLEEVE & MALE END CAP ASSEMBLY	1
10	3106154	BUSHING #SB875-11	1
11	3151058	BALLAST ASSEMBLY - 14/20 WATT	1
12	9900081	NUT #8-32 KEPS ZINC PLATE	1
13	1452139	RETAINER HARNESS	1
-	1170206	SCREW #8-32X3/8 THS BLACK (NOT SHOWN)	-
-	1451124	SUPPRESSION NETWORK ASSEMBLY (NOT SHOWN)	1
-	3157060	SCREW-#8-32 X .31 HEX W/ HD. (NOT SHOWN)	3
-	3157068	SCREW-#8-32 X.31 HXHD T/F 3/ (NOT SHOWN)	1
-	4305043	HARNESS CLIP-1.00 (NOT SHOWN)	1

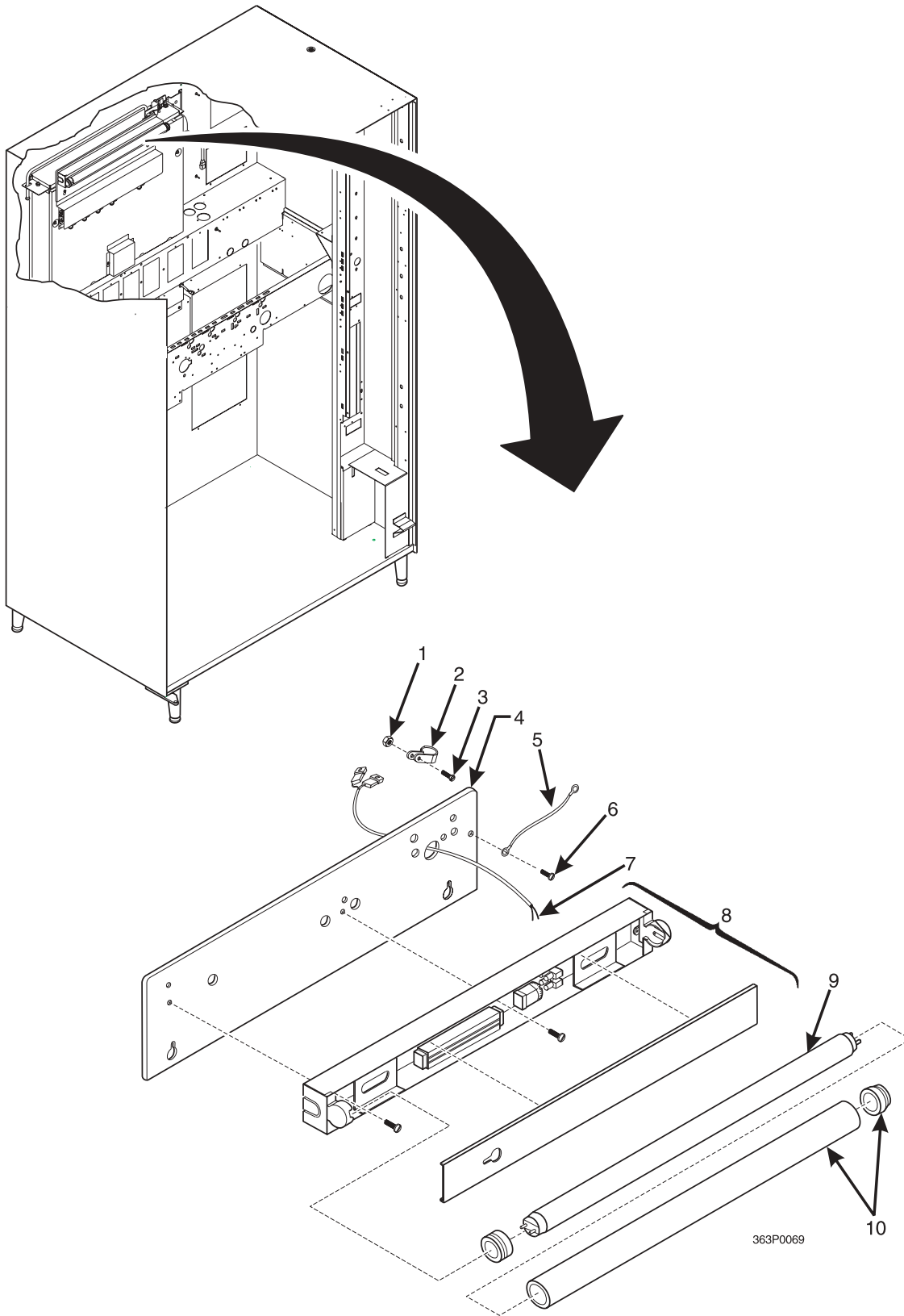
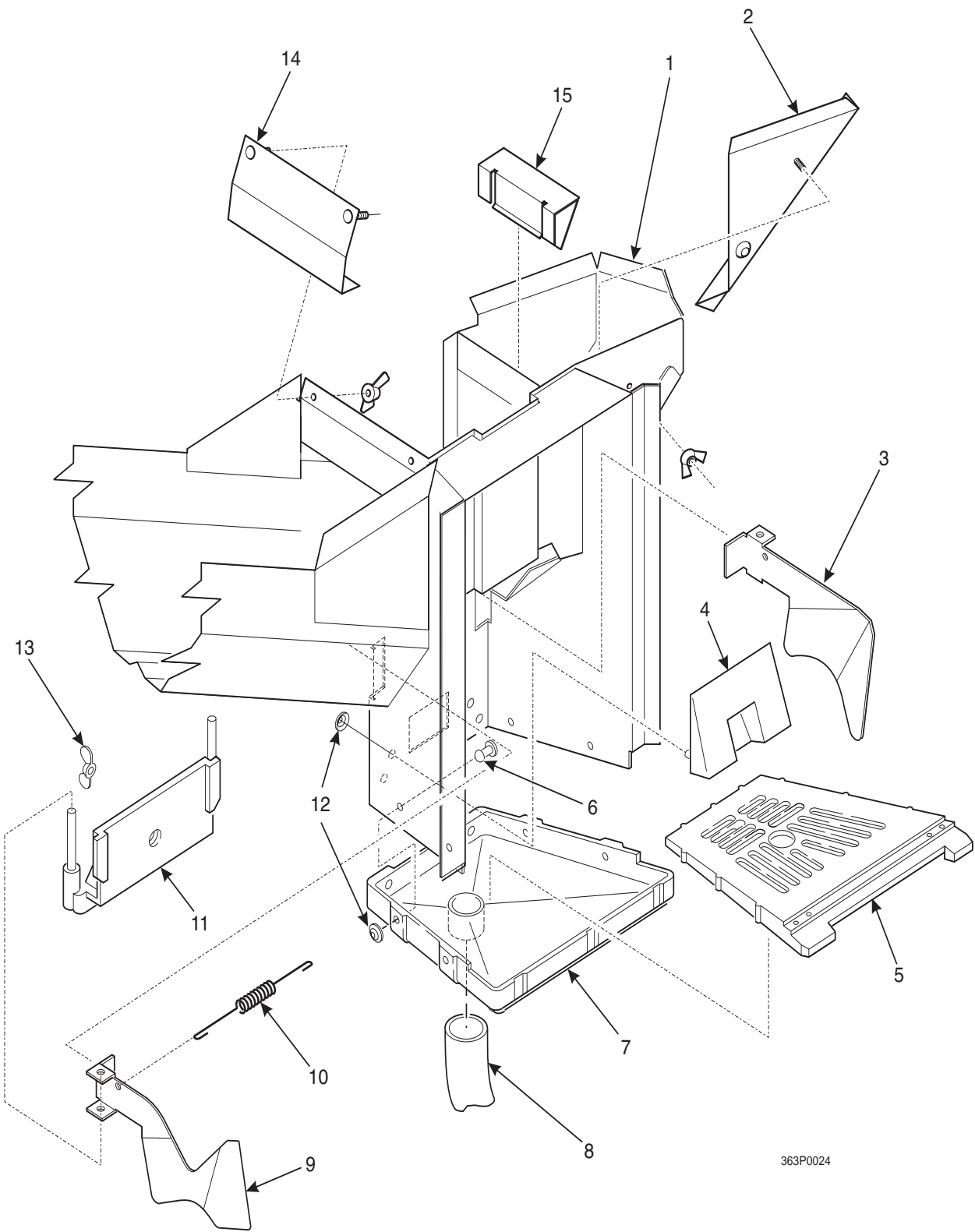


Figure 46. Service Light/Bracket Assembly - 230 Volts

TABLE 46. SERVICE LIGHT/BRACKET ASSEMBLY - 230 VOLTS

INDEX	PART NUMBER	DESCRIPTION	QTY.
-	6239053	SERVICE LIGHT/BRACKET ASSEMBLY - U.S.	1
1	9900081	NUT #8-32 KEPS ZINC PLATE	1
2	1211161	CABLE CLAMP - RICHCO#N4	1
3	9900118	SCREW #8-32 X 3/8 PHS	1
4	6231559	BRACKET - SERVICE LIGHT	1
5	9984165	JUMPER - GROUND WIRE	1
6	3157060	SCREW - #8-32 X .31 HEX W/ HD.	3
7	6239009	JUMPER - SERVICE LIGHT	1
8	6239053	LIGHT ASSEMBLY - FLUORESCENT - 230V	1
9	2222096	FLUORESCENT LAMP	1
10	6232305	LAMP SLEEVE AND END CAPS ASSEMBLY	1



363P0024

Figure 47. Cup Delivery Assembly

TABLE 47. CUP DELIVERY ASSEMBLY

INDEX	PART NUMBER	DESCRIPTION	QTY.
-	3631130	CUP DELIVERY ASSEMBLY	1
1	3631128	WELD ASSEMBLY - CUP DELIVERY	1
2	6231413	CHUTE ADAPTER ASSEMBLY - RH - INTERNATIONAL	1
3	3631071	CUP DEFLECTOR - RIGHT	1
4	6231443	CUP SPACER/SENSOR LENS	1
5	6231432	DRAIN TRAY - CUP DELIVERY COMP.	1
6	6231492	PUSH - IN FASTENER - CUP DELIVERY	6
7	6231489	BASE - CUP DELIVERY STATION	1
8	6231430	TUBE - DRAIN	1
9	3631070	CUP DEFLECTOR - L.H.	1
10	6231495	SPRING - CUP DEFLECTOR	1
11	6231488	MOUNTING ASSEMBLY - CUP DEFLECTOR	1
12	6231431	RETAINER - .188 - CUP DELIVERY	10
13	3103133	WING NUT #8-32 STAINLESS	1
14	3631176	DEFLECTOR - ADAPTER - LH - 5/12 OZ	1
15	3631175	DEFLECTOR - ADAPTER - RH - 5/8 OZ	1

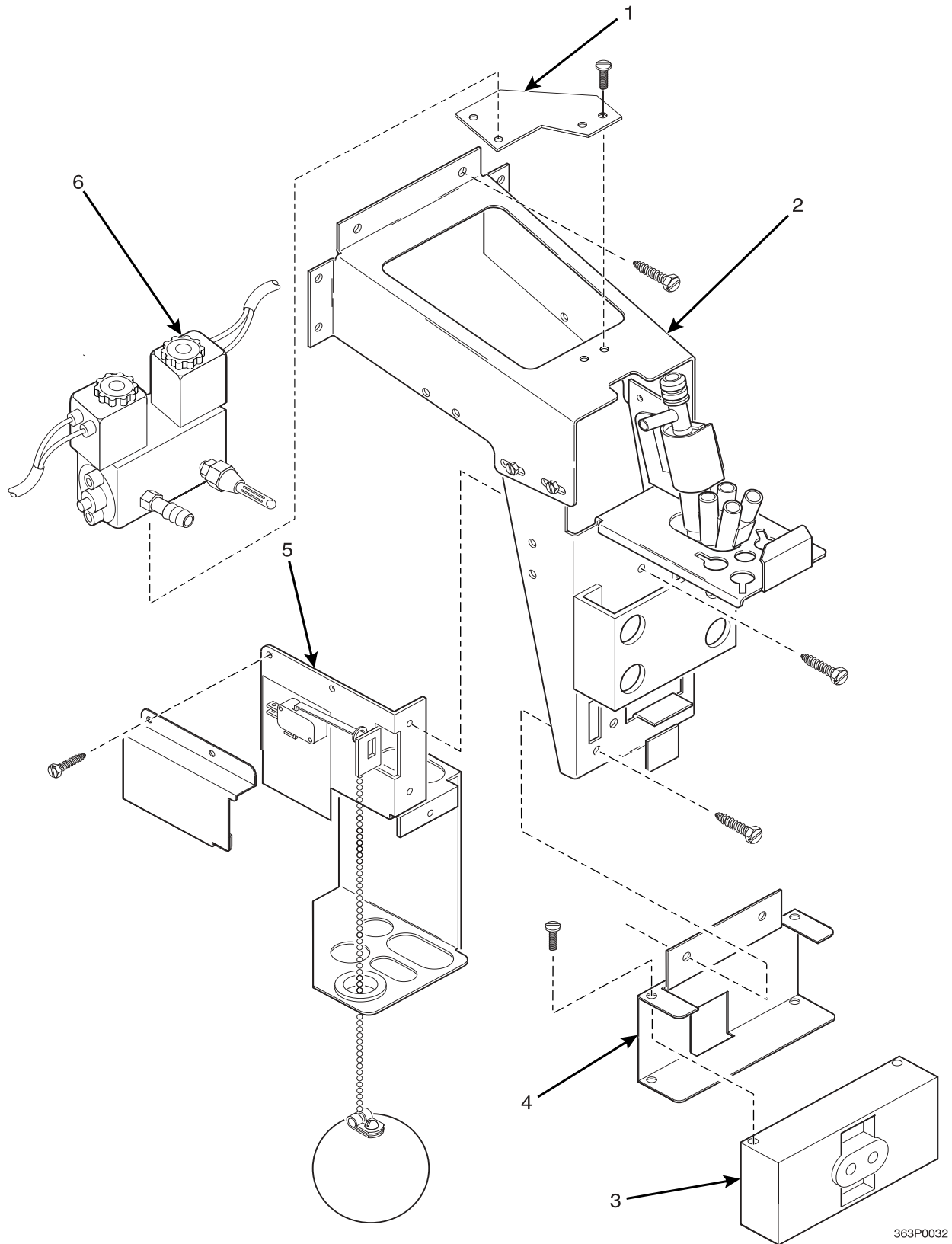


Figure 48. Cup Station Support, Overflow Switch, and Cup Sensor

TABLE 48. CUP STATION SUPPORT, OVERFLOW SWITCH, AND CUP SENSOR

INDEX	PART NUMBER	DESCRIPTION	QTY.
1	3631166	BRACKET - VALVE MOUNTING	
2	-	CUP STATION SUPPORT ASSEMBLY (SEE FIGURE 49 FOR DETAILS)	1
3	6231537	SENSOR ASSEMBLY - MUG	1
4	6231539	BRACKET - CUP SENSOR	1
5	3631076	OVERFLOW SWITCH ASSEMBLY (SEE FIGURE 50 FOR DETAILS)	1
6	3638088	VALVE ASSEMBLY - DUAL SOLENOID	1

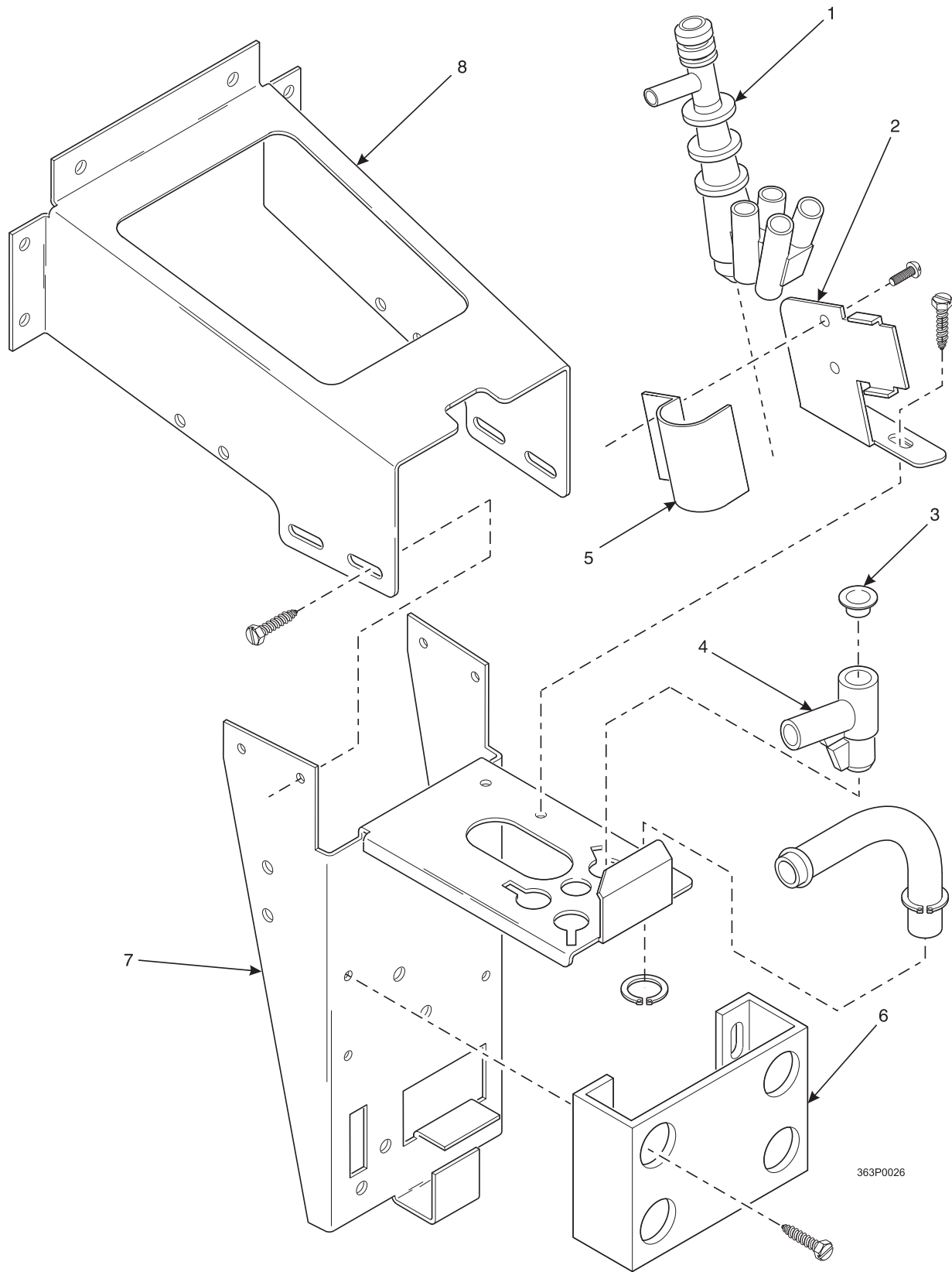


Figure 49. Support Assembly - Cup Station

TABLE 49. SUPPORT ASSEMBLY - CUP STATION

INDEX	PART NUMBER	DESCRIPTION	QTY.
1	3638070	HOLDER/SPOUT & "O" RING ASSEMBLY	1
2	3631061	BRACKET - NOZZLE - COLD DRINK	1
3	4711020	CAPLUG - SPOUT - NATURAL	1
4	6117010	SPOUT - DISPENSING	1
5	3617008	CLAMP - NOZZLE	1
6	3631060	RETAINER - CUP - STATION	1
7	3631127	SUPPORT - CUP STATION	1
8	3631119	SUPPORT - CUP STATION	1

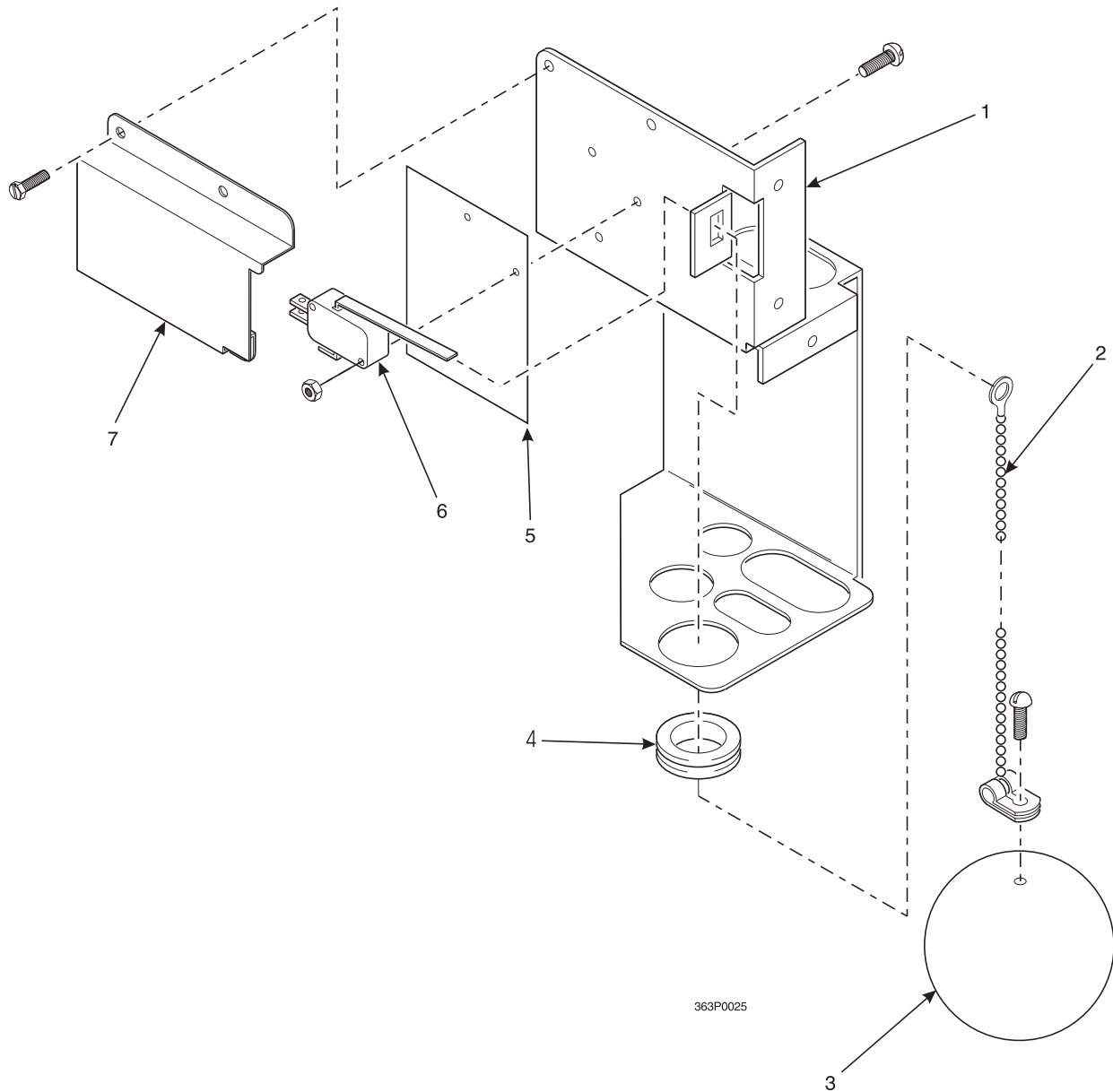
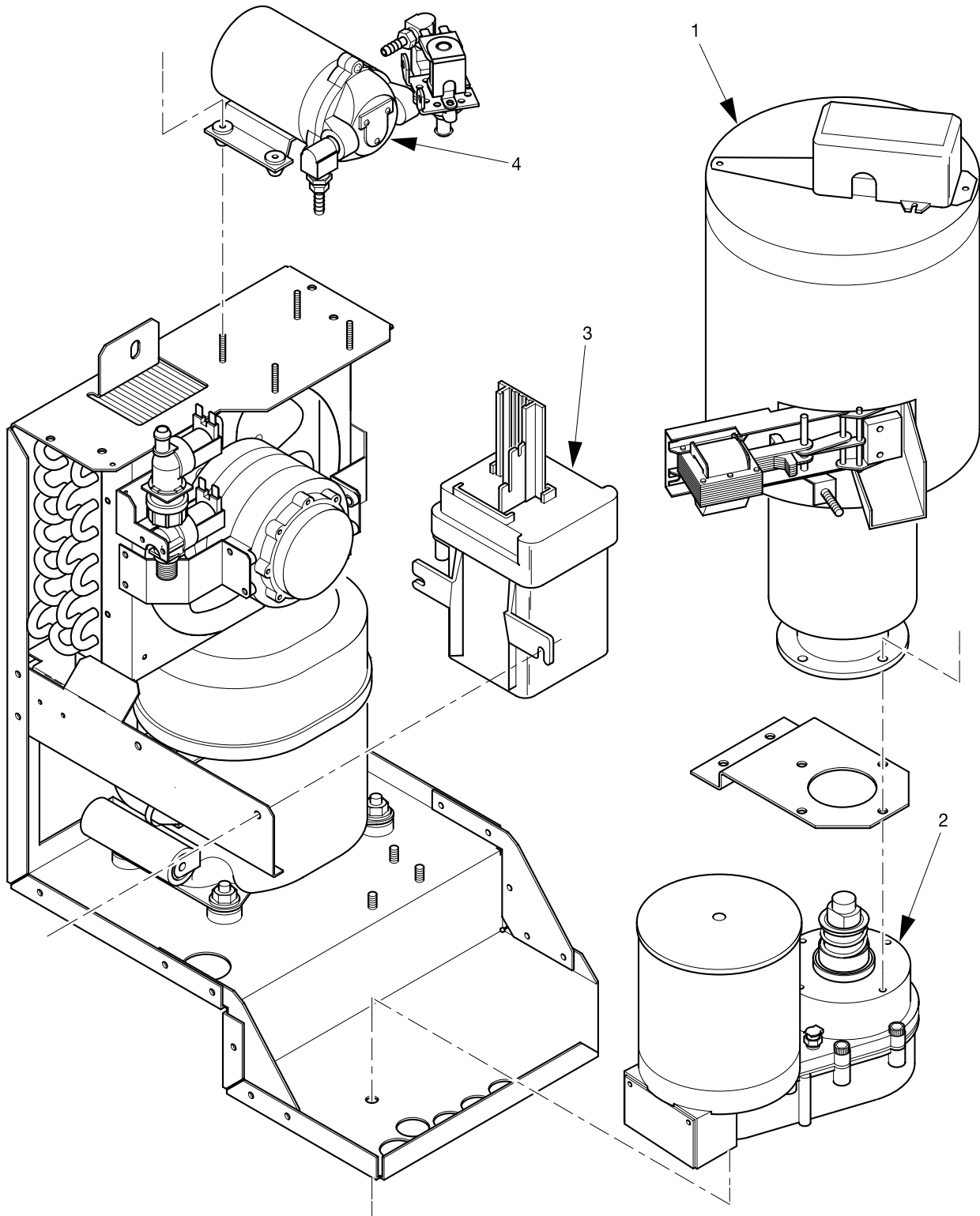


Figure 50. Overflow Switch Assembly

TABLE 50. OVERFLOW SWITCH ASSEMBLY

INDEX	PART NUMBER	DESCRIPTION	QTY.
-	3631076	OVERFLOW SWITCH ASSEMBLY	REF.
1	3631077	BRACKET ASSEMBLY - OVERFLOW SWITCH	1
2	3631118	CHAIN - OVERFLOW SWITCH	1
3	3116127	FLOAT - OVERFLOW SWITCH	1
4	3148060	GROMMET - 0.75 I.D.	1
5	3121150	INSULATION - OVERFLOW SWITCH	1
6	2304108	SWITCH LEVER V3L-131-D8	1
7	3631074	COVER - OVERFLOW SWITCH	1
-	1217159	4-40 KEPS W/EXT L/WASHER ZP	-
-	1217160	4-40 X 5/8 RHS M SCREW Z/Y	-
-	4047054	SCREW #8 8 X 1/2 RHS T/C	-

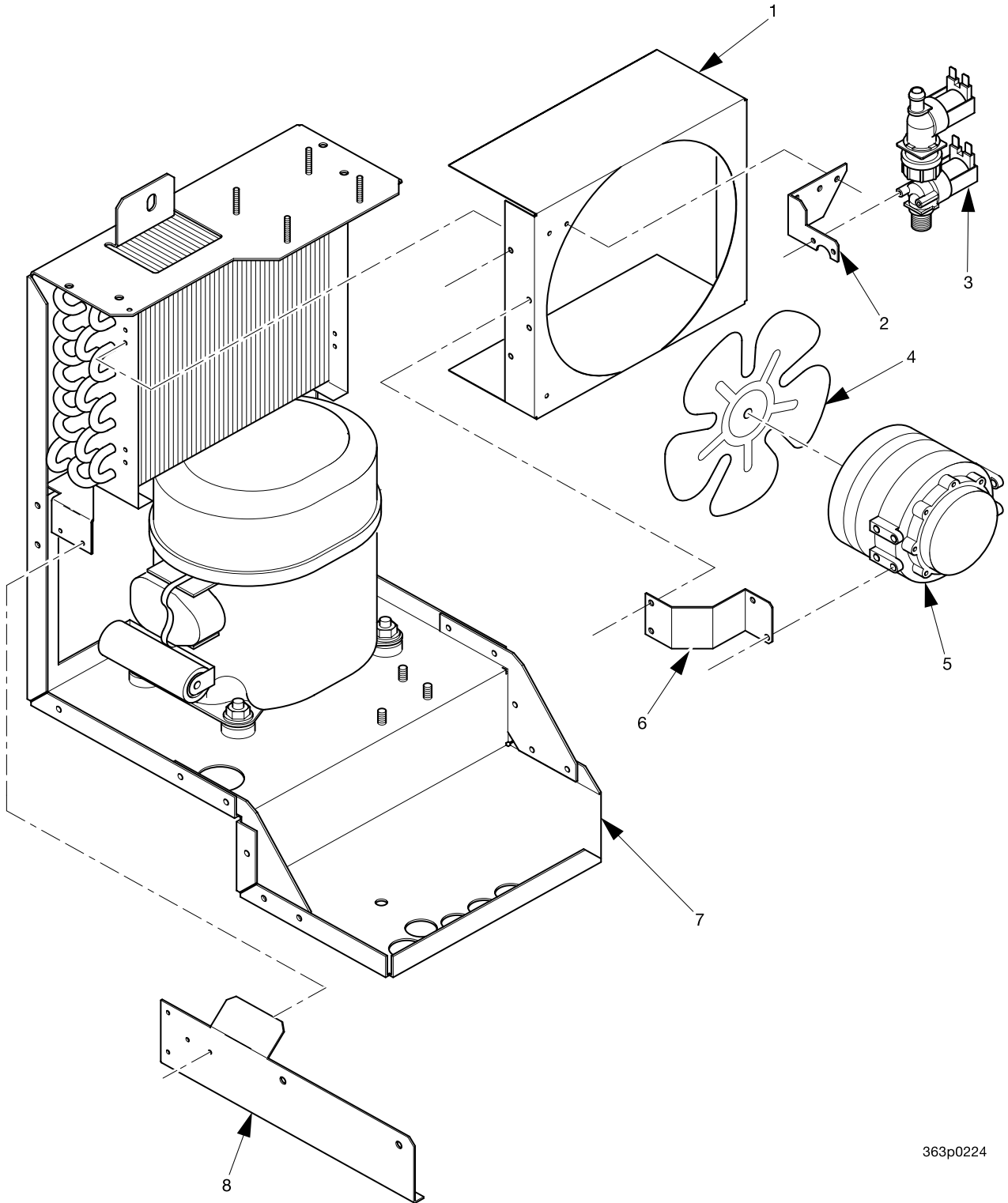


363p0223

Figure 51. Icemaker Assembly (Part 1 of 8)

TABLE 51. ICEMAKER ASSEMBLY (PART 1 OF 8)

INDEX	PART NUMBER	DESCRIPTION	QTY.
1	-	HOPPER AND EVAPORATOR ASSEMBLY (SEE FIGURE 55 FOR DETAILS)	1
2	-	GEAR AND MOTOR ASSEMBLY (SEE FIGURE 54 FOR DETAILS)	1
3	3178005	WATER FEEDER ASSEMBLY (SEE FIGURE 57 FOR DETAILS)	
4	3634174	PUMP AND VALVE ASSEMBLY - COOLSAN (SEE FIGURE 58 FOR DETAILS)	

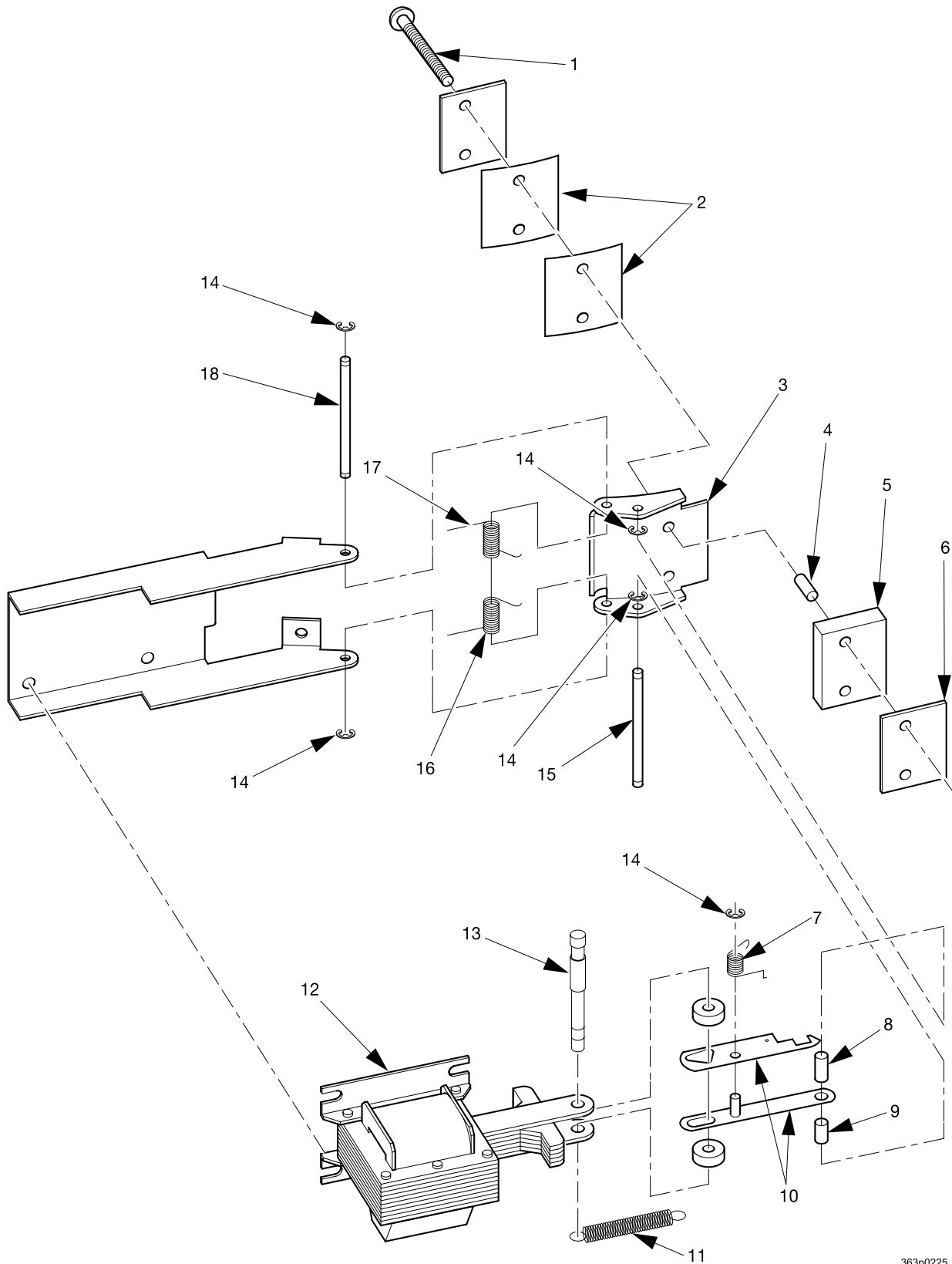


363p0224

Figure 52. Icemaker Assembly (Part 2 of 8)

TABLE 52. ICEMAKER ASSEMBLY (PART 2 OF 8)

INDEX	PART NUMBER	DESCRIPTION	QTY.
1	3634054	SHROUD - CONDENSER FAN	1
2	3634192	BRACKET - WATER SOLENOID	1
3	3634173	INLET VALVE ASSEMBLY - 115V	1
4	4774027	BLADE - CONDENSER FAN	1
5	4304092	MOTOR - CONDENSER FAN	1
6	3634055	BRACKET - CONDENSER FAN	1
7	3634156	ICE MAKER FRAME ASSEMBLY	1
8	3634186	BRACKET - FEEDER CUP	1



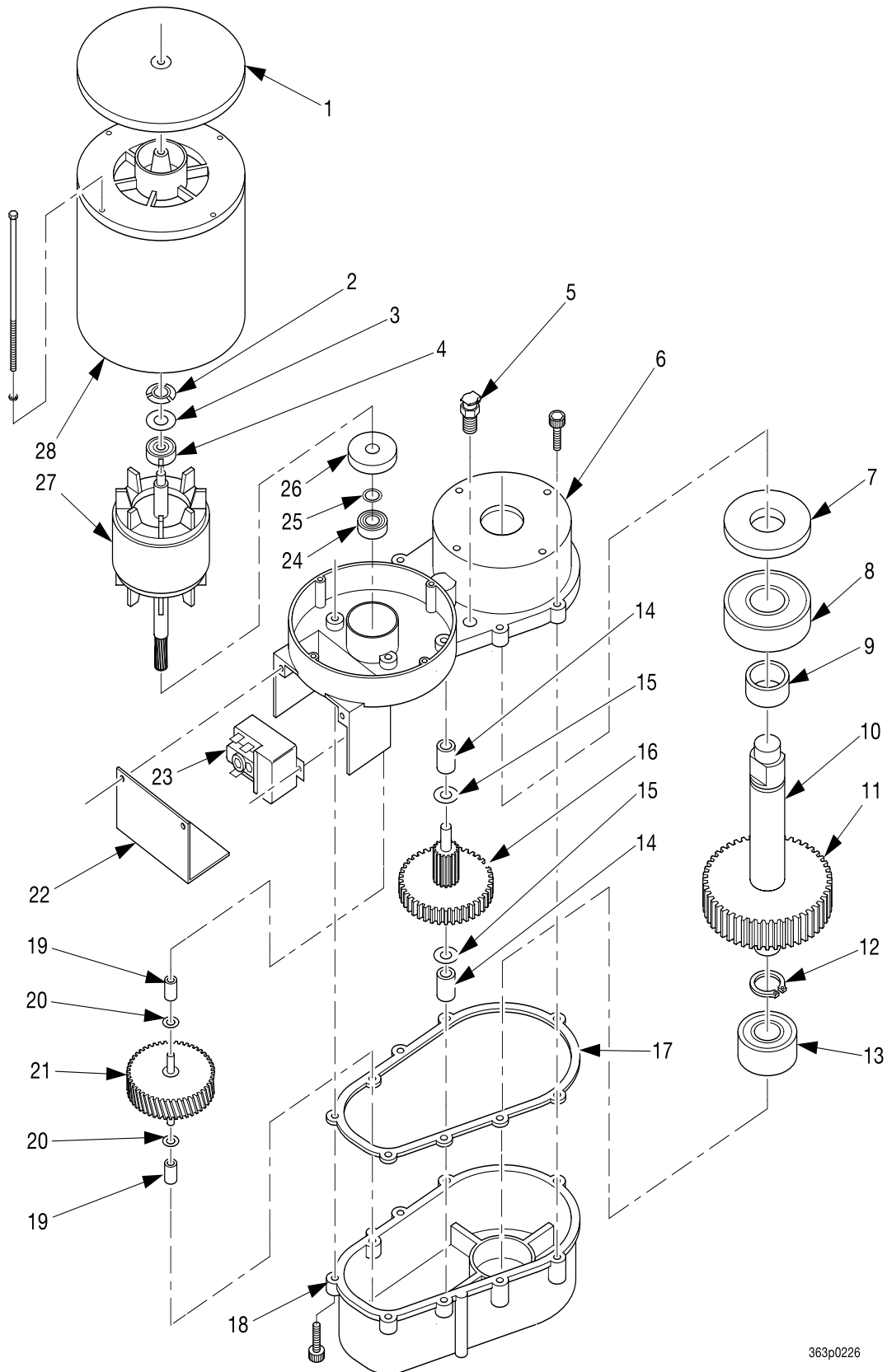
363p0225

Figure 53. Icemaker Assembly (Part 3 of 8)

Twin Drink Center Parts Manual

TABLE 53. ICEMAKER ASSEMBLY (PART 3 OF 8)

INDEX	PART NUMBER	DESCRIPTION	QTY.
1	3124168	#07127-03 SCREW #4-40	-
2	3014049	#00875 GASKET	-
3	3014081	#05826-02 DOOR	-
4	3114081	SLEEVE - TUBULAR DOOR #03023	-
5	3014061	#00923 INSULATION - DOOR	-
6	3014101	#00901 INSULATION - PLATE	-
7	3014055	#00472 LEVER	-
8	3114132	SPACER - UPPER	-
9	3114078	SPACER - LOWER 3/8 LONG	-
10	3124106	DRIVE BAR & LINK ASSEMBLY #40071	-
11	3114099	SPRING PLUNGER #04026	-
12	3014062	#10081 SOLENOID 50HZ/60HZ	-
13	3104172	PIN CLEVIS - WILSHIRE #04390	-
14	6104220	RETAIN RING - TRUARC 5133-18H SS	-
15	3014056	#04417 PIN DRIVE	-
16	3114079	SPRING - TORSION - LOWER DOOR #04443	-
17	3114097	SPRING - TORSION - UPPER DOOR 04418	-
18	3014057	#04416 PIN - PIVOT	-



363p0226

Figure 54. Icemaker Assembly (Part 4 of 8) - Gear and Motor Assembly

Twin Drink Center Parts Manual

TABLE 54. ICEMAKER ASSEMBLY (PART 4 OF 8) - GEAR AND MOTOR ASSEMBLY			
INDEX	PART NUMBER	DESCRIPTION	QTY.
1	3124105	MOTOR SHIELD - NEW	-
2	3014251	#03335 BEARING - MOTOR - REAR	-
3	3154014	GEAR MOTOR COVER - WILSHR #41801	-
4	3154015	OIL SEAL - OUTPUT SHAFT #41810	-
-	3274001	KIT, OUTPUT GEAR (CONTAINS ITEMS 5-9, WHICH ARE NOT AVAILABLE SEPARATELY)	-
5	3154016	UPPER OUTPUT BEARING #41809	-
6	3154017	UPPER SPACER #41808	-
7	3154013	OUTPUT SHAFT, WILSHIRE #41814	-
8	3154018	OUTPUT GEAR	-
9	3154019	LOWER OUTPUT BEARING #41807	-
10	3014157	#03363 GASKET	-
11	3014268	#03356 BEARING - NYLON #4	-
12	3014269	#03357 WASHER - NYLON #4	-
13	3014152	#03590 GEAR/PIN ASSEMBLY #4 - #5	-
14	3014268	#03356 BEARING - NYLON #4	-
15	3014267	#03355 BEARING - NYLON #2	-
16	3014266	#03354 WASHER - NYLON #2	-
17	3014149	#03589 GEAR/PIN ASSEMBLY #2-#3	-
18	3014267	#03355 BEARING - NYLON #2	-
19	3014069	#30789 RELAY STARTER	-

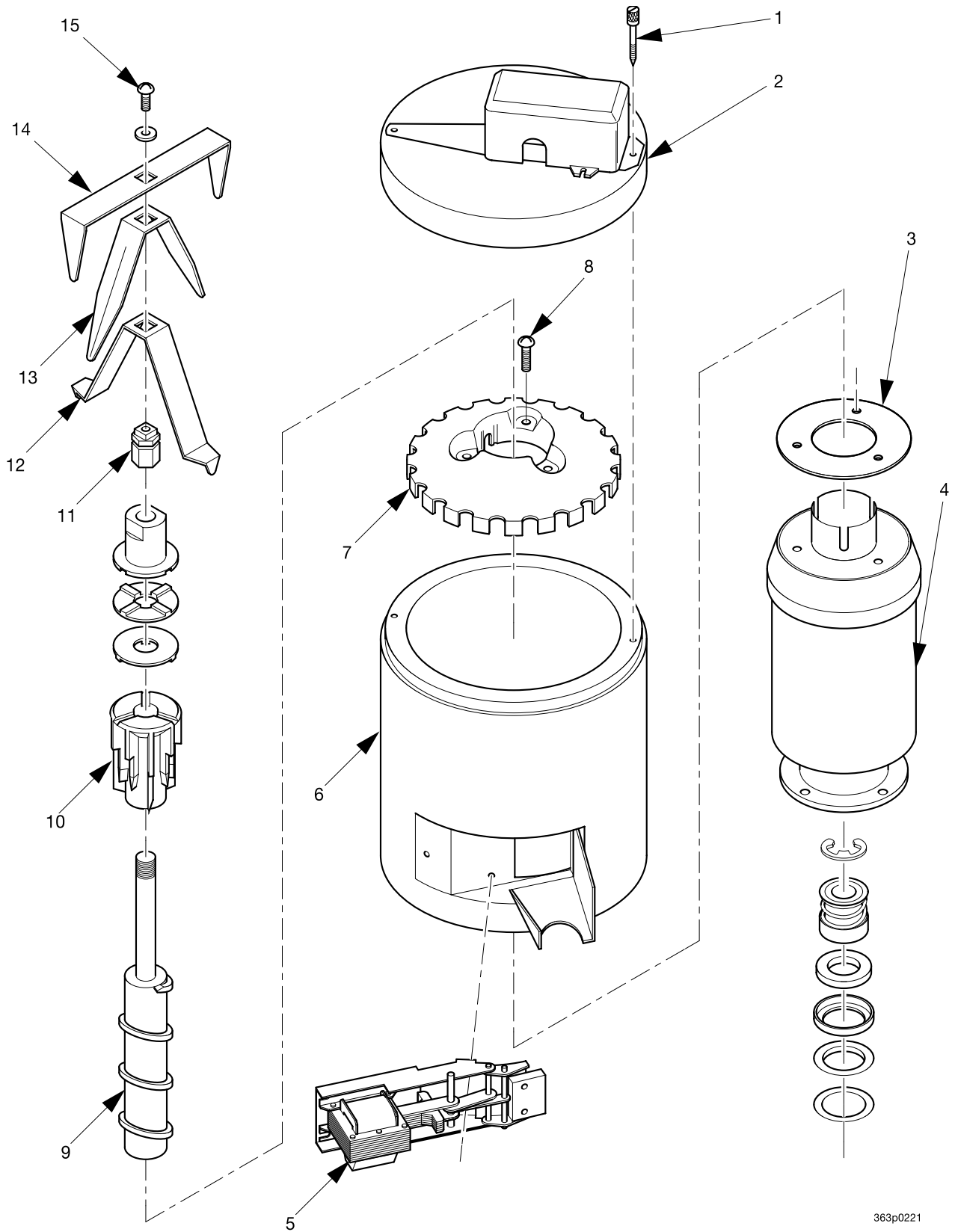


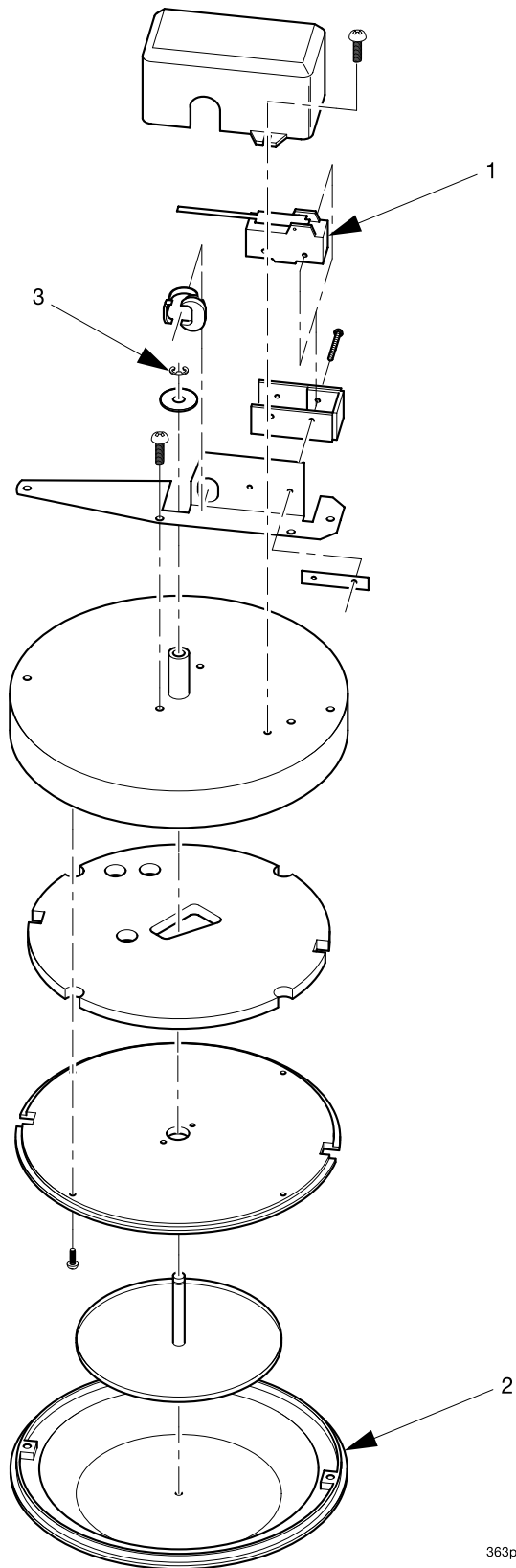
Figure 55. Icemaker Assembly (Part 5 of 8) - Hopper and Evaporator Assembly

363p0221

Twin Drink Center Parts Manual

TABLE 55. ICEMAKER ASSEMBLY (PART 5 OF 8) - HOPPER AND EVAPORATOR ASSEMBLY

INDEX	PART NUMBER	DESCRIPTION	QTY.
1	3014073	#00959 SCREW - THUMB	-
2	3154063	CONTROL ASSEMBLY - ICE LEVEL #05500-20 (SEE FIGURE 56 FOR DETAILS)	-
3	3154026	GASKET - HOPPER #40058	-
4	3154025	EVAPORATOR ASSEMBLY #40063	-
5	3014064	DISPENSE MECHANISM #08600-01	-
6	3154021	HOPPER ASSEMBLY #40099	-
7	3154024	DRIP RING - WILSHIRE #40096	-
8	3154023	SCREW - WILSHIRE #40094	-
9	3154067	NAT'L AUGER - WILSHIRE #40141	-
10	3154031	EXTRUDING HEAD ASSEMBLY #40049	-
11	3157078	DIP TUBE ASSEMBLY - SUCTION #2	-
12	3154079	AGITATOR - LOWER #40144	-
13	3154042	AGITATOR ARM #40093	-
14	3154077	AGITATOR - UPPER #40143	-
15	3154040	SCREW - 1/4-20X3/8 HMS #07088-02	-

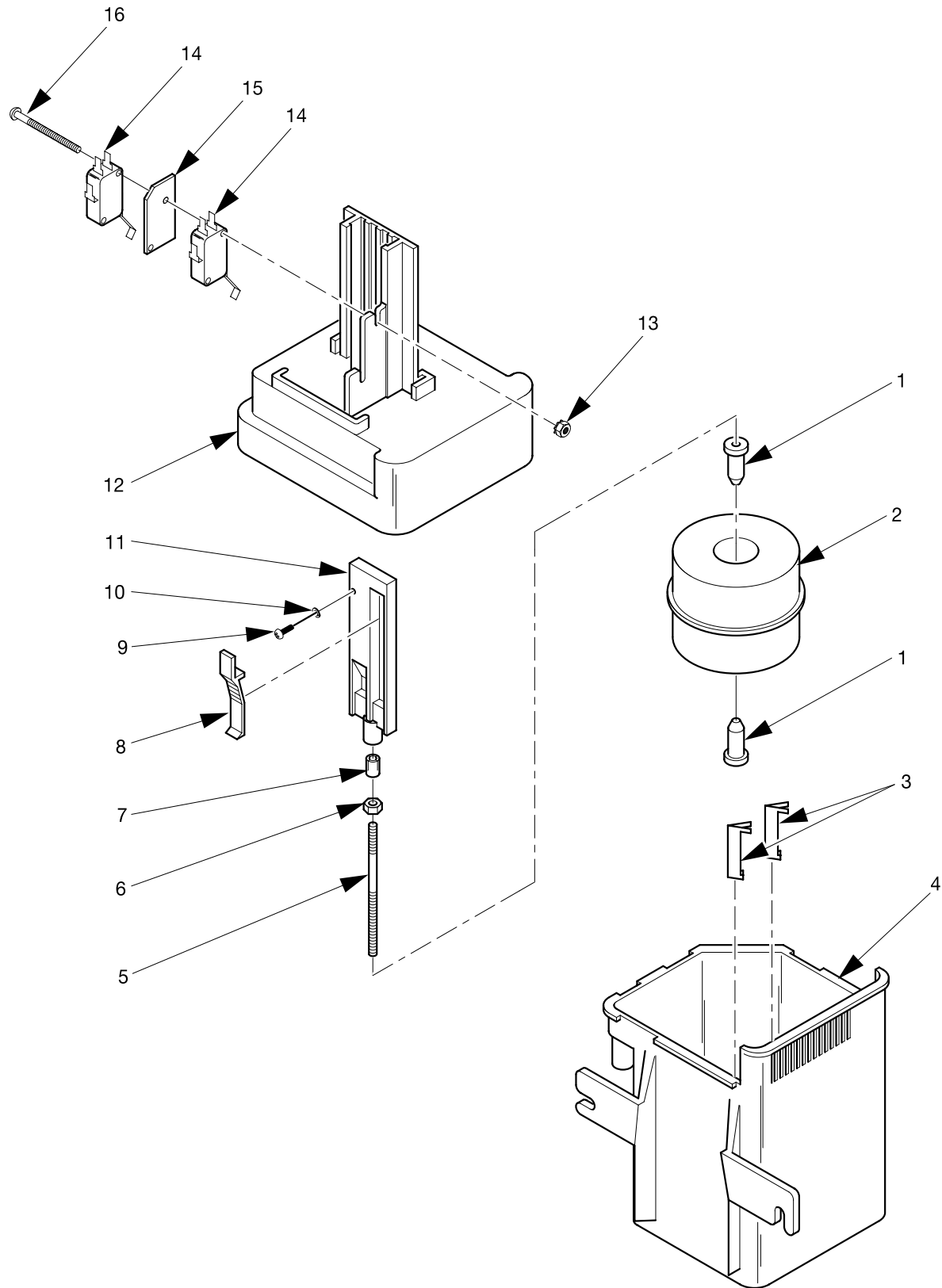


363p022C

Figure 56. Icemaker Assembly (Part 6 of 8) - Control Assembly - Ice Level

TABLE 56. ICEMAKER ASSEMBLY (PART 6 OF 8) - CONTROL ASSEMBLY - ICE LEVEL

INDEX	PART NUMBER	DESCRIPTION	QTY.
1	3154064	SWITCH - ICE LEVEL	-
2	3114098	DIAPHRAGM - ICE LEVEL	-
3	9900418	RETAINING RING - REINF. E TYP.187	-



363p0222

Figure 57. Icemaker Assembly (Part 7 of 8) - Water Feeder Assembly

TABLE 57. ICEMAKER ASSEMBLY (PART 7 OF 8) - WATER FEEDER ASSEMBLY

INDEX	PART NUMBER	DESCRIPTION	QTY.
1	3118006	BUSHING - FLOAT SHAFT	-
2	3118003	FLOAT ASSEMBLY - WATER FEEDER	-
3	3128128	INSERT - WATER FEEDER CUP	-
4	3118002	CUP - WATER FEEDER	-
5	3118005	SHAFT - FLOAT WATER FEEDER	-
6	6104429	KEPS NUT # 6-32 S.S. EXT LW	-
7	6104194	DODGE EXPANSION INSERT	-
8	3118007	ACTUATOR - SWITCH - LOW WATER LEVEL	-
9	3128169	SCREW - #4-40 X.250 RHS T/C SS	-
10	6138080	LOCKWASHER - #4 - SPLIT TYPE	-
11	3118008	ACTUATOR - SWITCH WATER LEVEL	-
12	3158028	COVER - WATER FEEDER CUP	-
13	3118011	SWITCH - V3L-1260-D8	-
14	6112042	INSULATOR - SWITCH	-
15	3113003	SCREW - #4 40 X 1 1/4 RHS	-

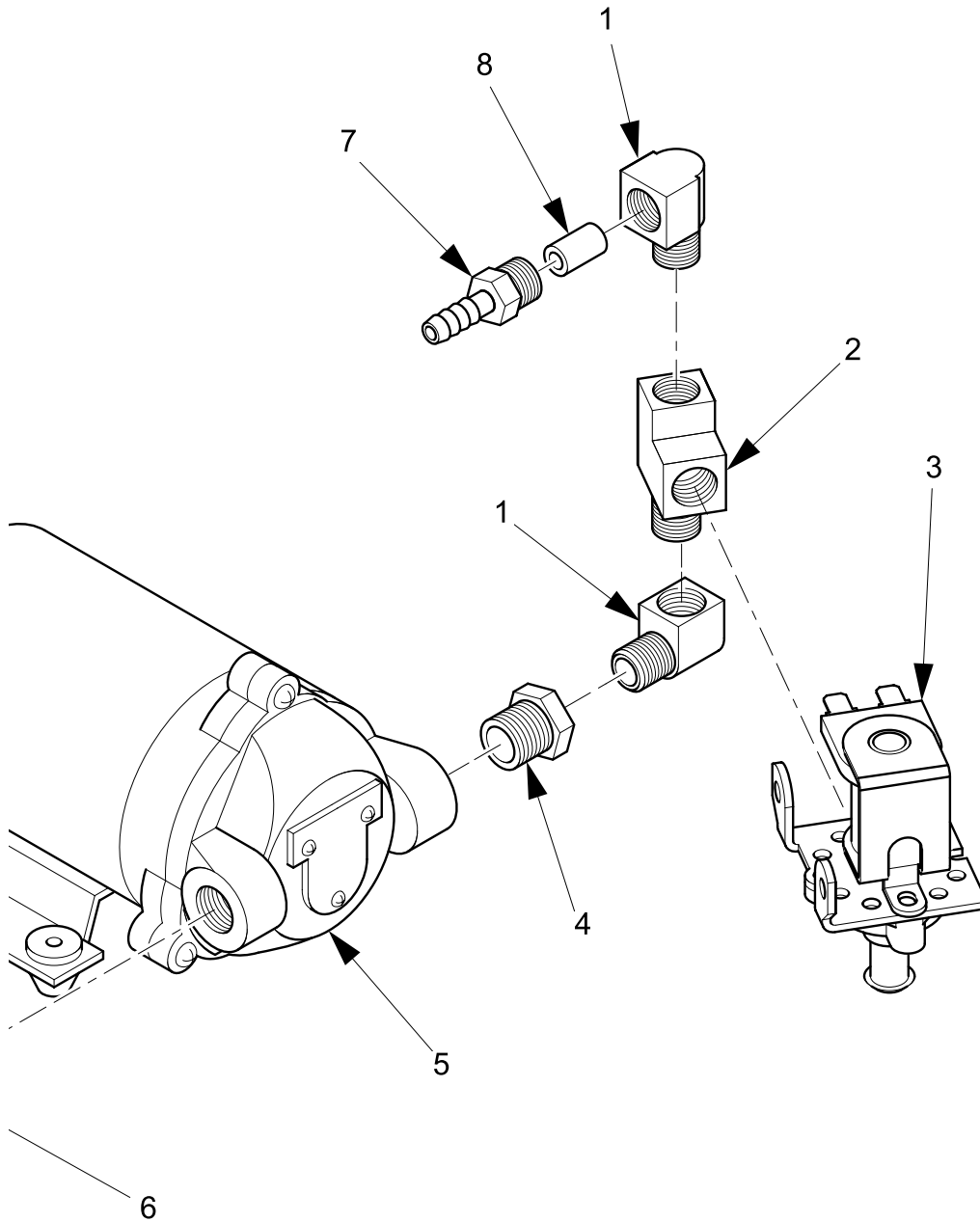


Figure 58. Icemaker Assembly (Part 8 of 8) - Pump and Valve Assembly - Cool-San

TABLE 58. ICEMAKER ASSEMBLY (PART 8 OF 8) - PUMP AND VALVE ASSEMBLY - COOL-SAN

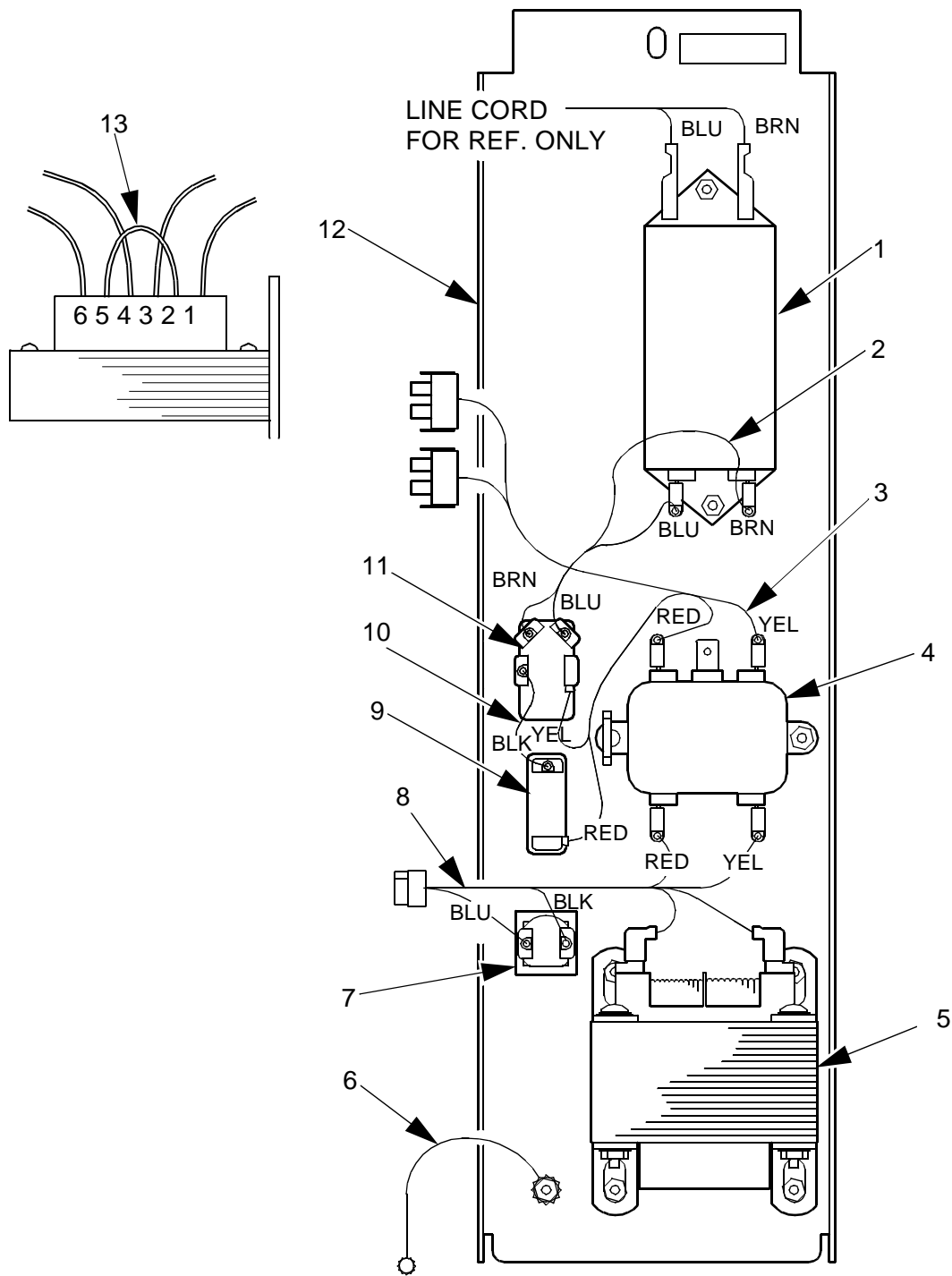
INDEX	PART NUMBER	DESCRIPTION	QTY.
1	3128303	90 STREET ELBOW 1/4 NPTF	3
2	3128317	STREET TEE - 1/4 NPTF-PH#2225P-4	1
3	3158072	VALVE - DRAIN - EATON S60 #678125-1	1
4	6408117	BUSHING - 1/4X3/8 - BRASS - 209P-6-4	2
5	3638022	PUMP - CARBONATOR - 115V - W/TERM.	1
6	6104159	HOSE CONNECTOR #61130	2
7	3634056	RESTRICTOR - PUMP - COOL-SAN	1

use drawing for 3281081

Figure 59. Power Panel Assembly - U.S./Mexico

TABLE 59. POWER PANEL ASSEMBLY - U.S./MEXICO

INDEX	PART NUMBER	DESCRIPTION	QTY.
-	3281081	POWER ASSEMBLY - DOMESTIC - 20A	-
1	1679055	HARNESS - POWER PANEL	1
2	9989100	INTERFERENCE FILTER	1
3	9984094	24V XFMR - DUAL PIR. - .187 TERM	1
4	9984094	WIRE - GROUND - 14"	1
5	9989674	CIRCUIT BREAKER - 4 AMP	1
6	1709001	JUMPER - TRANSFORMER - FOREIGN	1
7	9989673	CIRCUIT BREAKER - 20A	1
8	1709006	JUMPER - MAIN SWITCH TO BREAKER	1
9	9984629	SWITCH - TOGGLE - DPST - 20AMP	1
10	1701025	PLATE - HOUSING - PANEL	1

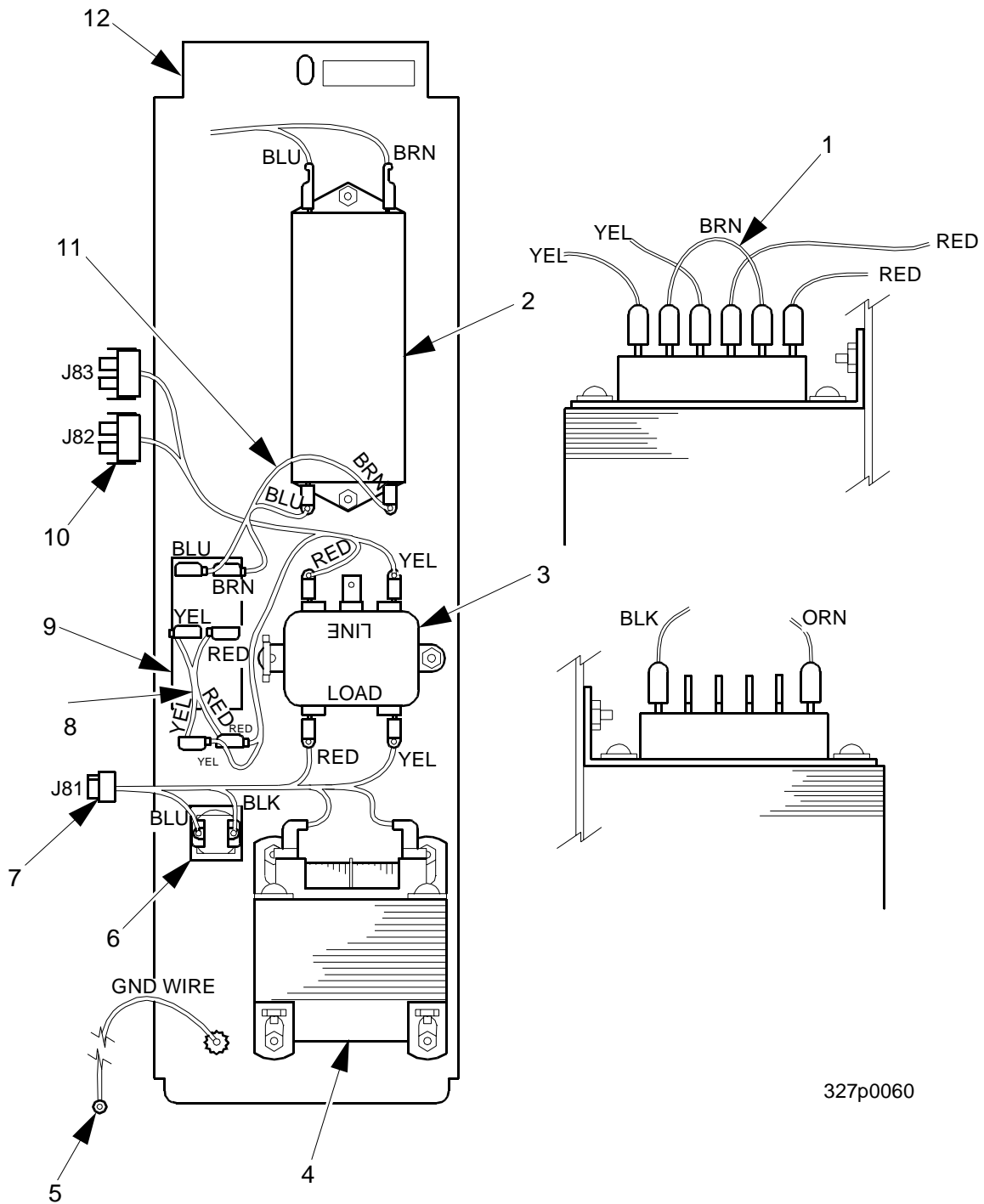


167p0007

Figure 60. Power Panel Assembly - U.K.

TABLE 60. POWER PANEL ASSEMBLY - U.K.

INDEX	PART NUMBER	DESCRIPTION	QTY
-	4521020	POWER PANEL ASSY-U.K.-230V	-
1	9989110	MAIN LINE FILTER	1
2	6849015	JUMPER	1
3	1709000	HARNESS	1
4	9989100	E.M.I. FILTER	1
5	9989046	24V XFMR-DUAL PIR.-.187 TERM.	1
6	9984094	GROUND WIRE	1
7	9989674	BREAKER - 4A	1
8	1709001	HARNESS	1
9	9989672	BREAKER-15A	1
10	1709006	JUMPER	1
11	9984629	SWTICH	1
12	1701025	PLATE-HOUSING-PANEL	1
13	4279001	JUMPER	1

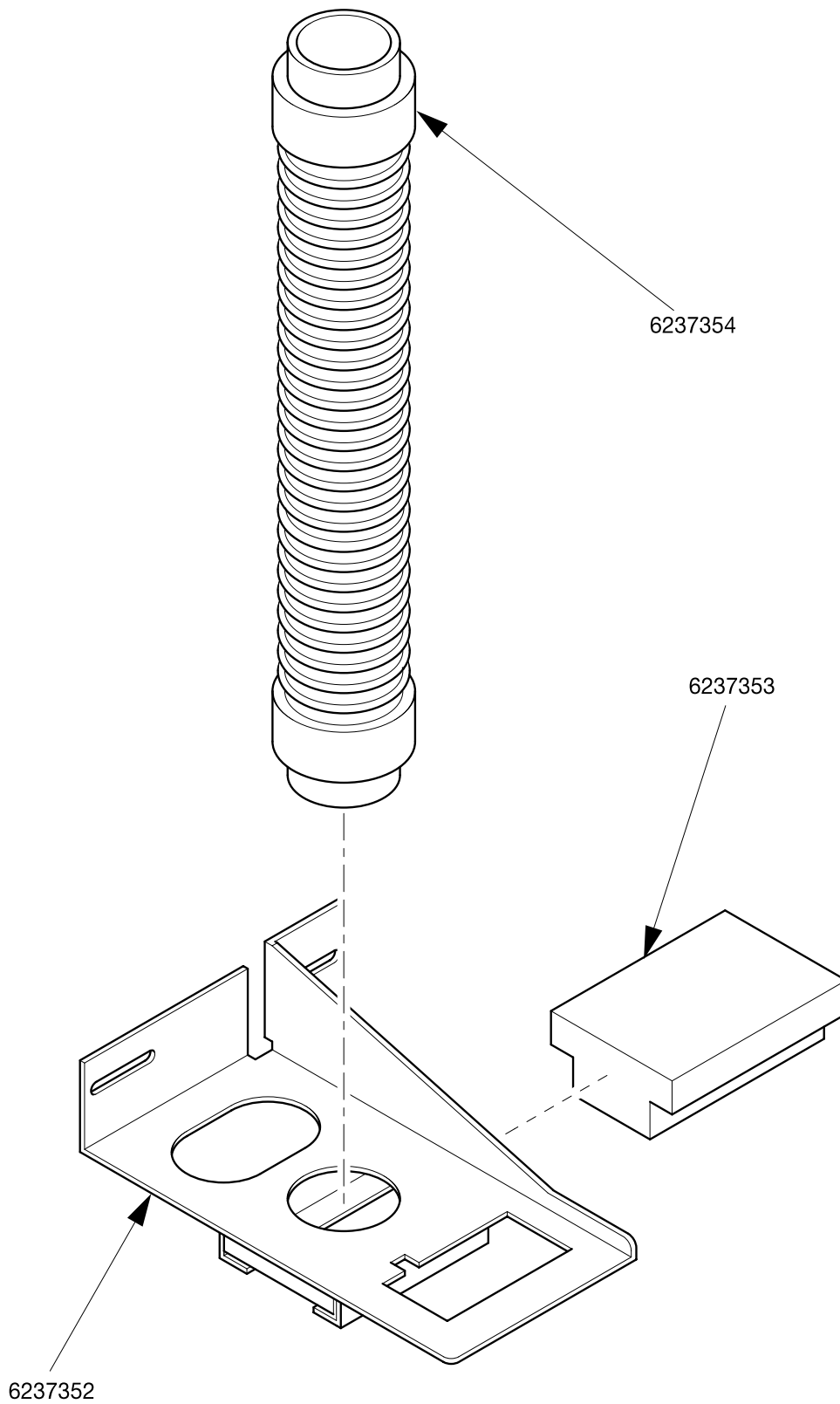


327p0060

Figure 61. Power Panel Assembly - 230 V - France/Germany

TABLE 61. POWER PANEL ASSEMBLY - 230 V - FRANCE/GERMANY

INDEX	PART NUMBER	DESCRIPTION	QTY
-	4521041	POWER PANEL ASSY - 230V FR/GER	REF
1	4279001	JUMPER - 230V - XFMR PRI	1
2	9989110	FILTER - POWER LINE - EMI	1
3	9989100	INTERFERENCE FILTER	1
4	9989046	24V XFMR - DUAL PIR. - .187 TERM	1
5	9984094	WIRE - GROUND - 14"	1
6	9989674	CIRCUIT BREAKER - 4 AMP	1
7	1709001	JUMPER - TRANSFORMER - FOREIGN	1
8	4529002	JUMPER - FRENCH/GERMAN SWITCH	1
9	9984627	CIRCUIT BREAKER/SWITCH - 16 AM	1
10	1709000	HARNESS - POWER PANEL - FOREIGN	1
11	6849015	JUMPER - POWER SW	1
12	4521036	PLATE - HOUSING - PANEL - FR/GER.	1



363p004E

Figure 62. Filter Locator and Bracket Assembly

TABLE 60. FILTER LOCATOR AND BRACKET ASSEMBLY

INDEX	PART NUMBER	DESCRIPTION	QTY
1	6237354	HOSE ASSY - EXHAUST - COFFEE CHUTE	1
2	6237353	FILTER - EXHAUST - CHUTE	1
3	6234979	LOCATOR AND BRACKET ASSY - DUAL BREWER	OPT
4	6237352	LOCATOR AND BRACKET ASSY - SINGLE BREWER	OPT

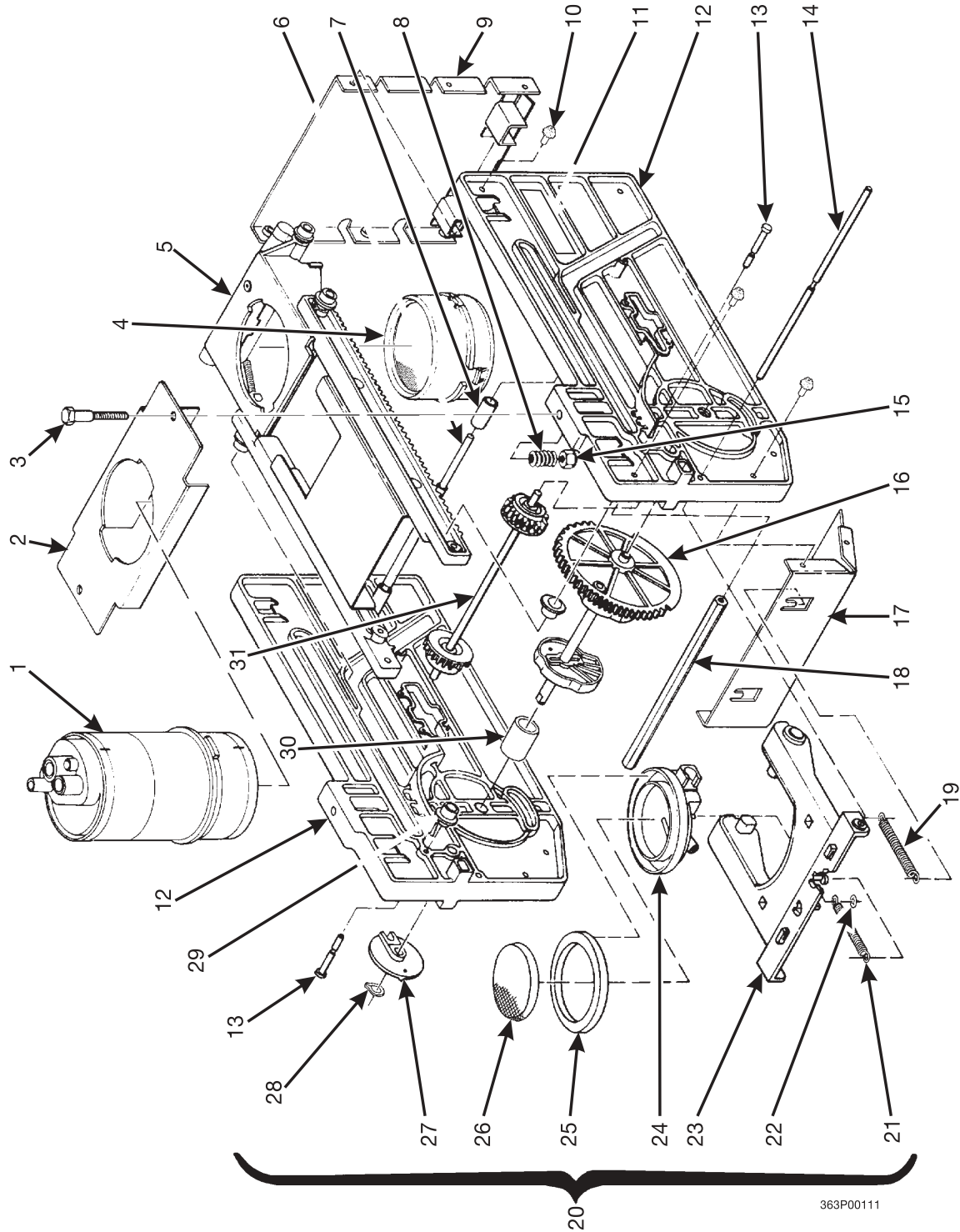


Figure 63. Single Brewer Assembly (No Filter)

Twin Drink Center Parts Manual

TABLE 61. SINGLE BREWER ASSEMBLY (NO FILTER)

INDEX	PART NUMBER	DESCRIPTION	QTY.
-	6234010	SINGLE BREWER ASSEMBLY - NO FILTER	REF.
1	6234328	BARREL ASSEMBLY - BREWER (SEE FIGURE 65 FOR DETAILS)	1
2	6234301	BARREL SUPPORT - BREWER	1
3	6234288	BOLT - 1/4-20X1 1/2	2
4	6234104	BASKET - BREWER	1
5	6234001	RACK ASSEMBLY (SEE FIGURE 66 FOR DETAILS)	1
6	6234271	SHAFT - FLIP STOP	1
7	6234270	ROLLER - STOP	2
8	6234225	SPRING - BREWER	2
9	6234215	WALL ASSEMBLY - REAR	1
10	6234295	SCREW - #8-32X.38 HHS W/LW	12
11	6231197	LABEL - CAUTION: HOT WATER HAZARD (AUS./N.Z./U.K./U.S.)	1
	6231213	LABEL - CAUTION: HOT WATER HAZARD (GER.)	
	6232293	LABEL - CAUTION: HOT WATER HAZARD (ARG./MEX./SP.)	
	6231220	LABEL - CAUTION: HOT WATER HAZARD (FR.)	
12	6234273	SIDEWALL - BREWER	2
13	6234223	PIN-ROLLER - SIDEWALL	2
14	6234308	SHAFT - SWING ARM	1
15	6234289	LOCKNUT - #1/4-20	2
16	6234008	GEAR & CAM ASSEMBLY	1
17	6234220	WALL ASSEMBLY - BOTTOM - FRONT	1
18	6234293	SPACER - SINGLE BREWER	1
19	6234205	SPRING	2
20	6234200	SWING ARM ASSEMBLY (INCLUDES INDEX NUMBERS 20 - 24)	1
21	6234205	EXT. SPRING - SWING ARM	2
22	6234243	SHAFT - RETAINER - .125 DIA	2
23	6234002	SWING ARM ASSEMBLY	1
24	6234240	FUNNEL - COFFEE	1
25	6234375	SEAL - BREWER	1
26	6334019	FILTER SUPPORT - 30 MESH	1
27	6234310	DRIVE CONNECTION - BREWER	1
28	6234303	RETAINING RING - .375 DIA.	1
29	6234222	ROLLER - BREWER	2
30	6234803	SPACER - CAM	1
31	6234007	PINION GEAR ASSEMBLY	1

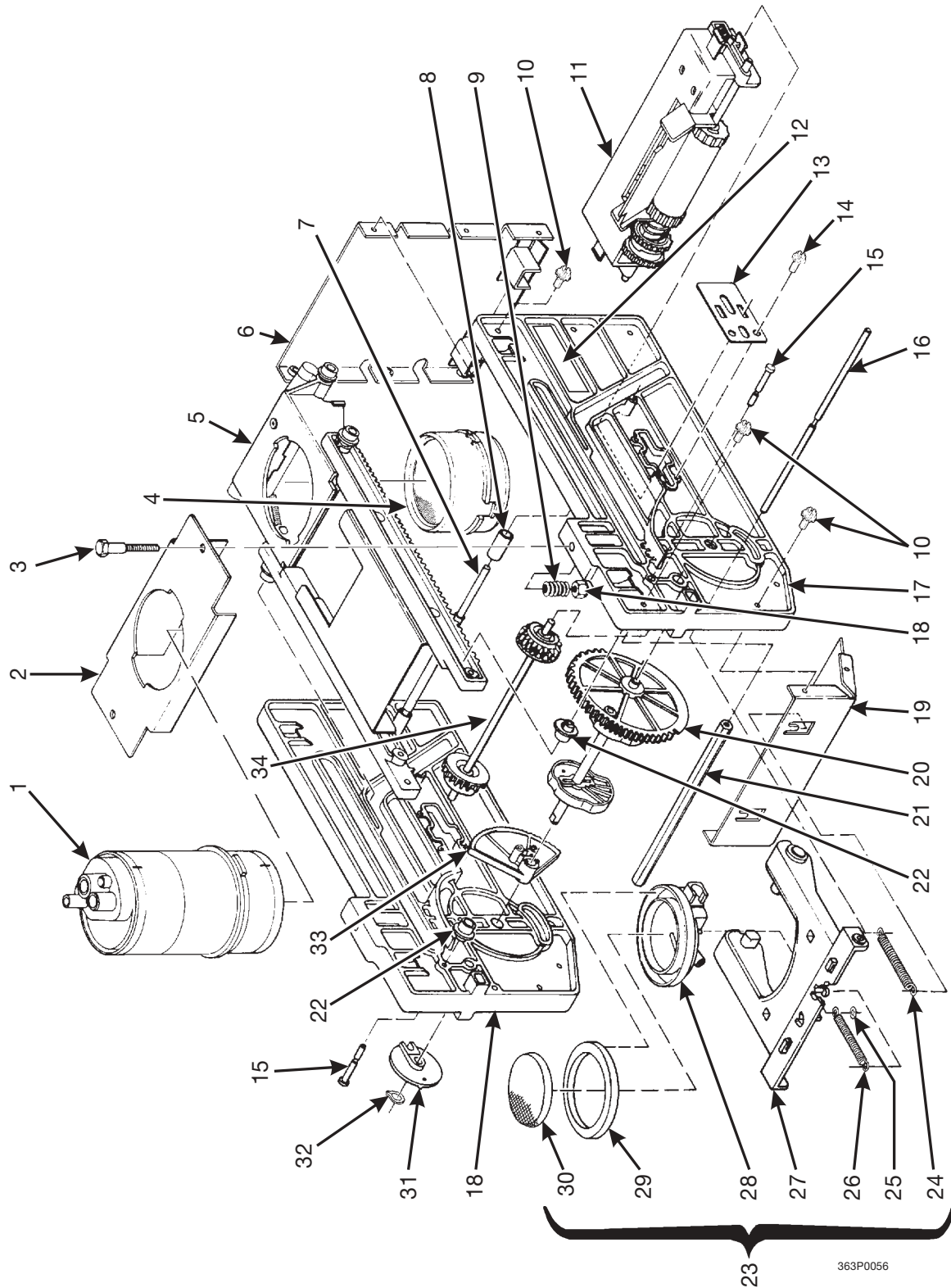
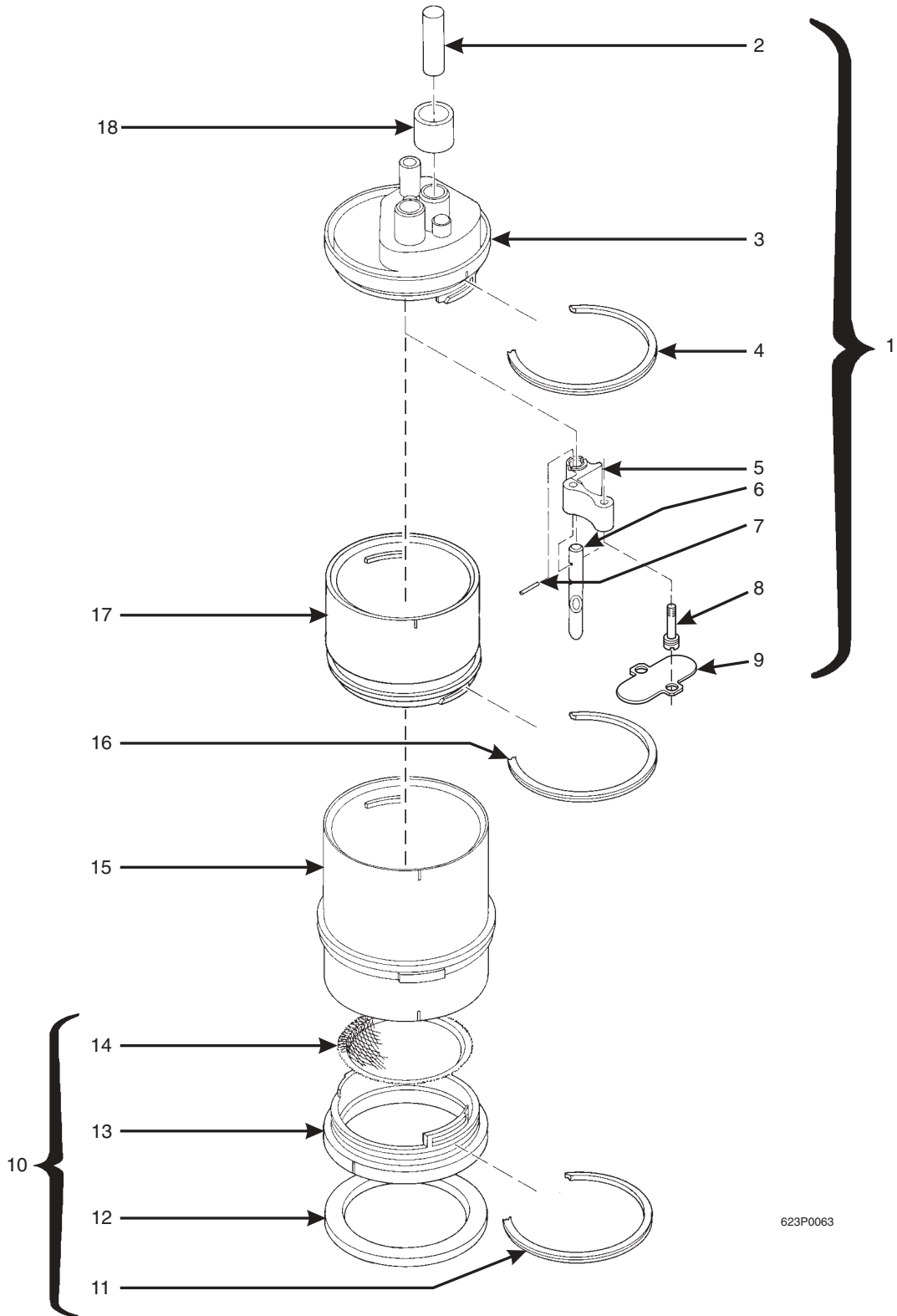


Figure 64. Single Brewer Assembly (With Filter)

TABLE 62. SINGLE BREWER ASSEMBLY (WITH FILTER)

INDEX	PART NUMBER	DESCRIPTION	QTY.
-	6234000	SINGLE BREWER ASSEMBLY - WITH FILTER	REF.
1	6234328	BARREL ASSEMBLY - BREWER (SEE FIGURE 65 FOR DETAILS)	1
2	6234301	BARREL SUPPORT - BREWER	1
3	6234288	BOLT - 1/4-20X1 1/2	2
4	6234297	BASKET - BREWER PAPER	1
5	6234001	RACK ASSEMBLY - BREWER (SEE FIGURE 66 FOR DETAILS)	1
6	6234215	WALL ASSEMBLY - REAR	1
7	6234271	SHAFT - FLIP STOP	1
8	6234270	ROLLER - STOP	2
9	6234225	SPRING - BREWER	2
10	6234295	SCREW - #8-32X.38 HHS W/LW	12
11	6234600	PAPER MECHANISM ASSEMBLY (SEE FIGURE 67 FOR DETAILS)	1
12	6231197	LABEL - CAUTION: HOT WATER HAZARD (AUS./BRZ./N.Z./U.K./U.S.)	1
	6231213	LABEL - CAUTION: HOT WATER HAZARD (GER.)	
	6232293	LABEL - CAUTION: HOT WATER HAZARD (ARG./MEX./SP.)	
	6231220	LABEL - CAUTION: HOT WATER HAZARD (FR.)	
13	6234608	SPRING COVER - PAPER MECH	2
14	6234616	SCREW - #10-32 X 3/8 HHS SL W/ EA	4
15	6234223	PIN - ROLLER - SIDEWALL	2
16	6234308	SHAFT - SWING ARM	1
17	6234273	SIDEWALL - BREWER	2
18	6234289	LOCKNUT-#1/4-20	2
19	6234220	WALL ASSEMBLY - BOTTOM FRONT	1
20	6234008	GEAR & CAM ASSEMBLY	1
21	6234293	SPACER - SINGLE BREW	1
22	6234222	ROLLER - BREWER	2
23	6234200	SWING ARM ASSEMBLY (INCLUDES INDEX NUMBERS 25 THROUGH 30)	1
24	6234205	SPRING	1
25	6234243	SHAFT - RETAINER - .125 DIA	2
26	6234205	EXT. SPRING - SWING ARM	2
27	6234002	SWING ARM ASSEMBLY	1
28	6234240	FUNNEL - COFFEE	1
29	6234375	SEAL - BREWER	1
30	6334019	FILTER SUPPORT - 30 MESH	1
31	6234310	DRIVE CONNECTION - BREWER	1
32	6234303	RETAINING RING - .375 DIA.	1
33	6234601	RATCHET DRIVE - PAPER MECH.	1
34	6234007	PINION GEAR ASSEMBLY	1



623P0063

Figure 65. Barrel Assembly - Single Brewer

TABLE 63. BARREL ASSEMBLY - SINGLE BREWER

INDEX	PART NUMBER	DESCRIPTION	QTY.
-	6234328	BARREL ASSEMBLY - SINGLE BREWER	REF
1	6134152	MANIFOLD ASSEMBLY - HOSE-BREW BARREL (INCLUDES INDEX NUMBERS 2 THROUGH 10)	1
2	6134192	PLUG BREWER MANIFOLD	1
3	6134178	MANIFOLD & INSERT ASSEMBLY - BREWER	1
4	6104193	QUAD RING SEAL	1
5	6204229	DEFLECTOR - MANIFOLD	1
6	6134197	TUBE - AIR JET	1
7	6106107	ROLL PIN	1
8	6134173	SHOULDER SCREW	2
9	6134155	VALVE - MANIFOLD - BREWER BARREL	1
10	6234305	LOWER INSERT ASSEMBLY - BREWER BARREL (INCLUDES INDEX NUMBERS 11 THROUGH 14)	1
11	6104193	QUAD RING SEAL	1
12	6234375	SEAL - BREWER	1
13	6104181	LOWER INSERT BREWER BARREL	1
14	6234302	SCREEN - BREWER BARREL	1
15	6104184	BREWER BARREL	1
16	6104193	QUAD RING SEAL	1
17	6234213	EXTENSION - BREWER BARREL	1
18	6234207	TUBE - .375 ID X.562 OD X.75 L	1

Twin Drink Center Parts Manual

TABLE 64. RACK ASSEMBLY - SINGLE BREWER

INDEX	PART NUMBER	DESCRIPTION	QTY.
-	6234001	RACK ASSEMBLY - BREWER	REF.
1	6234222	ROLLER - BREWER	4
2	6234116	BASKET HOUSING ASSEMBLY (INCLUDES INDEX NUMBERS 3 THROUGH 6)	1
3	6234250	BASKET HOUSING & WIPER ASSEMBLY	1
4	6234278	BEARING - RETURN LEVER ROLLER	2
5	6234118	FLAT SPRING - BASKET HOUSING	1
6	6204211	SCREW - #6 - 32 X 1/4 PHS T/C SS	1
7	6234256	SPRING - FLIP	2
8	6234261	ROLLER LINKAGE ASSEMBLY - RIGHT	1
9	6234275	RACK ASSEMBLY - RIGHT - BREWER	1
10	6234110	SHAFT - FLIP	1
11	6234295	SCREW - #8 - 32X.38 HHS W/LW	4
12	6234120	BRACKET ASSEMBLY - RACK	1
13	6234274	RACK ASSEMBLY - LEFT - BREWER	1
14	6234260	ROLLER LINKAGE ASSEMBLY - LEFT	1
15	6234292	RETURN LEVER ROLLER ASSEMBLY	2

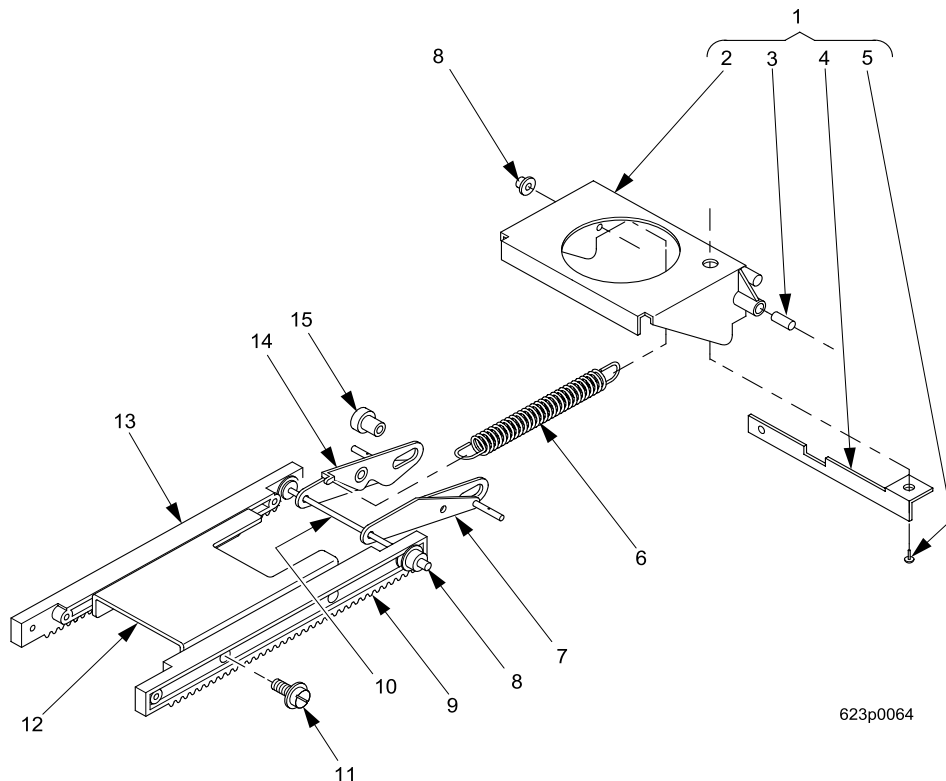


Figure 66 . Rack Assembly - Single Brewer

TABLE 65. PAPER MECHANISM ASSEMBLY - SINGLE BREWER

INDEX	PART NUMBER	DESCRIPTION	QTY.
-	6234600	PAPER MECHANISM ASSEMBLY - SINGLE BREWER	REF.
1	6234626	PAPER MECH. HOUSING	1
2	6234612	SHAFT - PAPER MECH.	2
3	6234614	COMPRESSION SPRING - PAPER MECH SHAFT	2
4	6234628	WASHER-PAPER MECH.	2
5	6234620	ROLLER END CAP - PAPER MECH	4
6	6234619	PAPER ROLLER EXTRUSION	1
7	6234603	ROLLER DRIVE - PAPER MECH	1
8	6234634	TUBE-6108098 - .50 LG.	2
9	6234615	SPRING - PAPER MECH RATCHET	1
10	6234607	RATCHET - PAPER MECH.	2

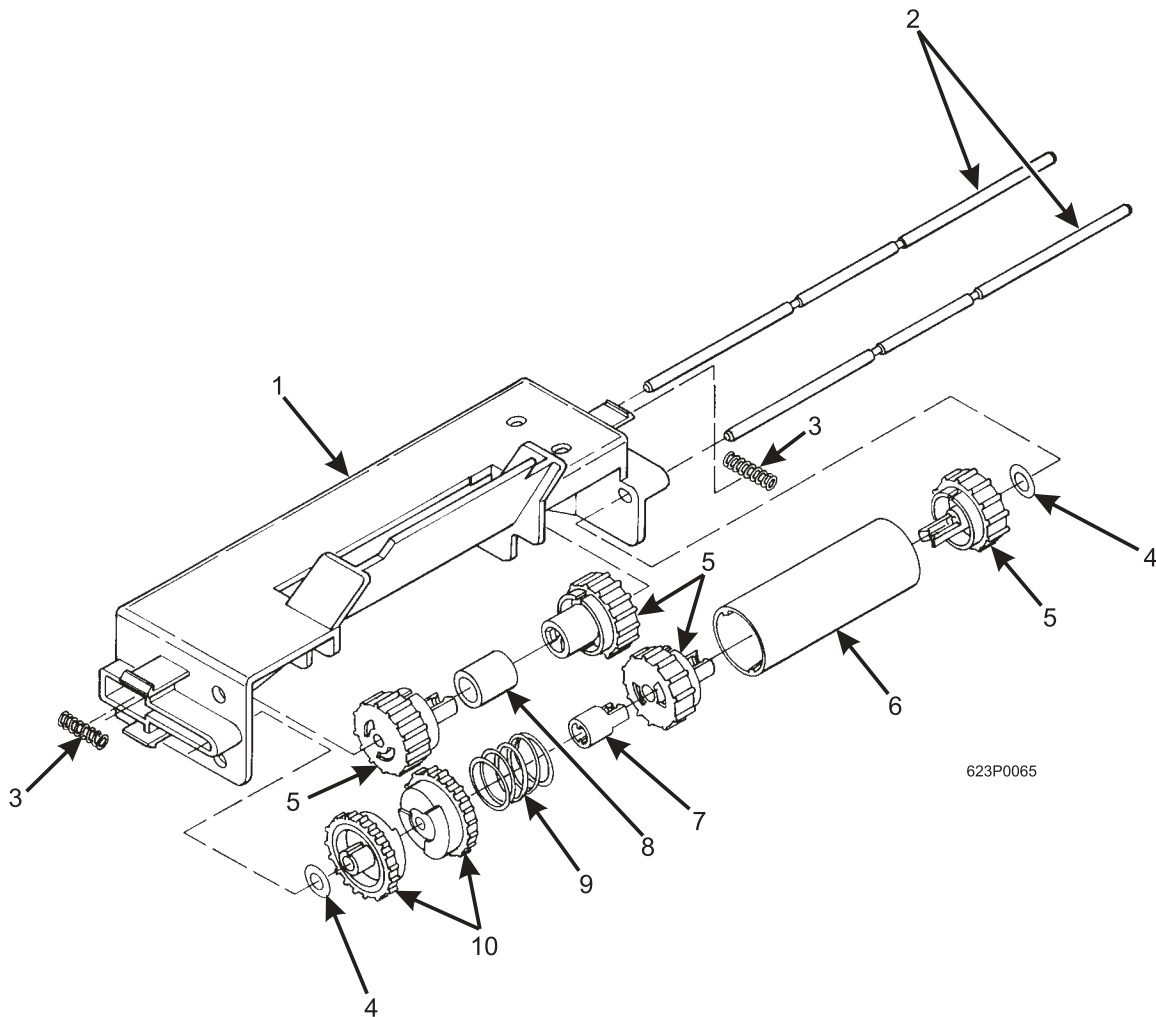


Figure 67. Paper Mechanism Assembly - Single Brewer

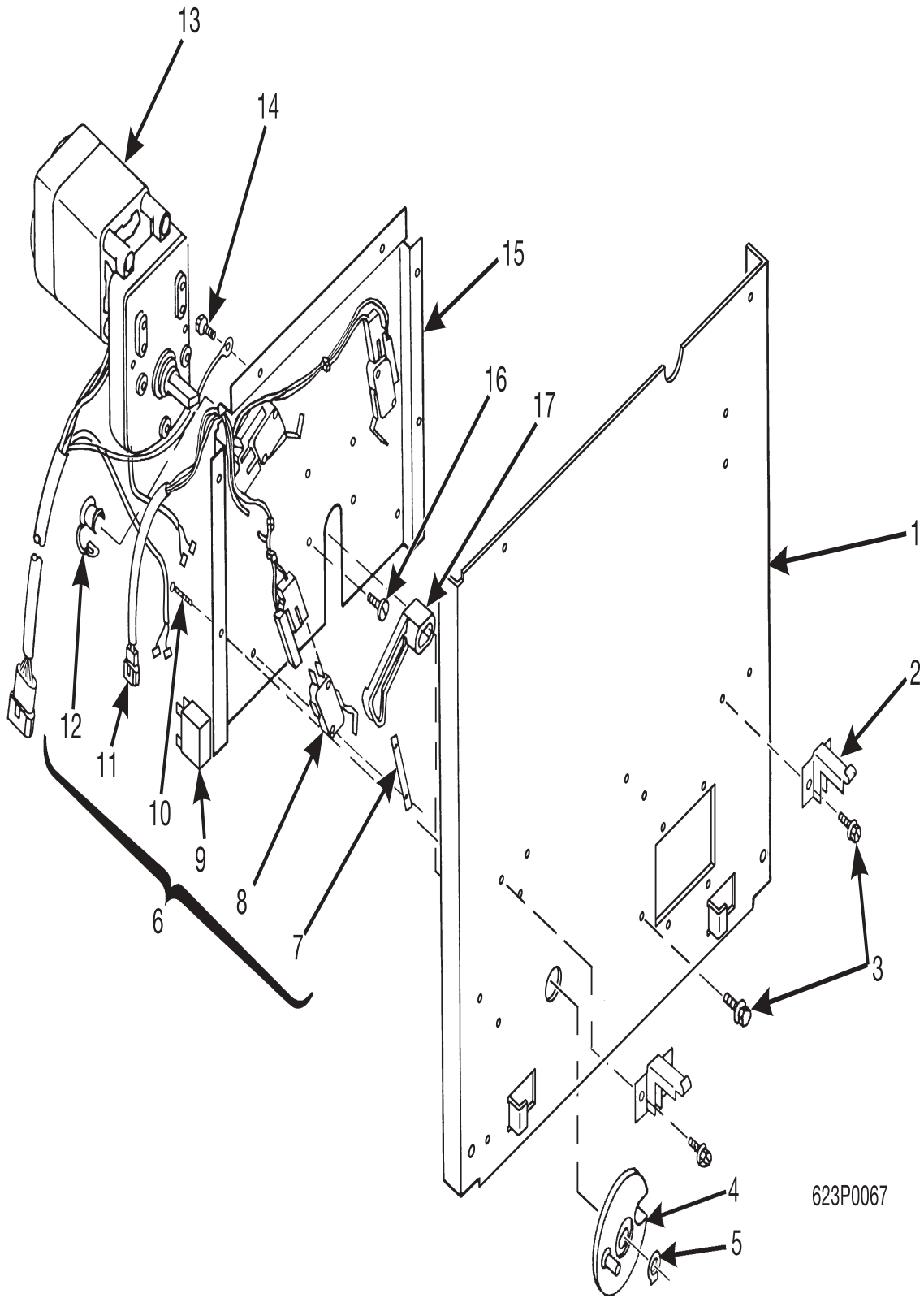


Figure 68. Brewer Drive Assembly

TABLE 66. BREWER DRIVE ASSEMBLY

INDEX	PART NUMBER	DESCRIPTION	QTY.
1	-	MOUNTING HARDWARE	-
2	6334005	BREWER DRIVE ASSEMBLY - SINGLE - 115 V (INCLUDES INDEX NUMBERS 3 THROUGH 8) (BRZ./ MEX./ U.S.)	1
	6334002	BREWER DRIVE ASSEMBLY - SINGLE - 230 V (INCLUDES INDEX NUMBERS 3 THROUGH 8) (ARG./ FR./ GER./ N.Z./ SP./ U.K.)	
3	6234510	PANEL MOUNTING - BREWER	1
4	6234294	MOUNTING BRACKET - BREWER	2
5	1451097	SCREW - #8-32 X .31 HEX HD T.F. - BLACK BRACKET)	4
6	6234310	DRIVE CONNECTION - BREWER	1
7	6234303	RETAINING RING - .375 DIA.	1
8	6334007	SWITCH/MOTOR ASSEMBLY - 115V (INCLUDES INDEX NUMBERS 9 THROUGH 19) (BRZ./ MEX./ U.S.)	1
	6334001	SWITCH/MOTOR ASSEMBLY - 230 V (INCLUDES INDEX NUMBERS 9 THROUGH 19) (ARG./ FR./ GER./ N.Z./ SP./ U.K.)	
9	4302316	FASTENER - TWIN TYPE (1 EACH SWITCH)	3
10	6234279	SWITCH - BREWER	3
11	9988208	CAPACITOR - MOTOR RUN - 17 MF	1
12	1217160	SCREW, #4-40 X 5/8 RHS (2 EACH SWITCH)	6
13	6239016	HARNESS - SWITCH - BREWER	1
14	9985887	BUSHING - STRAIN RELIEF	1
15	6334012	MOTOR - BREWER - 115 V (BRZ./ MEX./ U.S.)	1
	6334011	MOTOR - BREWER - 230 V (ARG./ FR./ GER./ N.Z./ SP./ U.K.)	
16	3157060	SCREW, #8-32 X .31 HEX HD - T/F - W/LOCKING SERRATIONS	1
17	6234514	HOUSING - SWITCHES AND BREWER MOTOR	1
18	4245186	SCREW, #8-32 X 1/4 PHS - T/F	4
19	6234515	SWITCH - ACTUATOR	1

Twin Drink Center Parts Manual

TABLE 67. FILTER PAPER HOUSING AND BRACKET ASSEMBLY

INDEX	PART NUMBER	DESCRIPTION	QTY.
-	3634018	FILTER PAPER HOUSING AND BRACKET ASSEMBLY	1
1	6404111	HOUSING - FILTER PAPER	1
2	6404054	COVER - PAPER HOUSING	1
3	6404060	LATCH - 1/4 TURN	1
4	6404061	HANDLE - 1/4 TURN	1
5	3631065	BRACKET - PAPER HOUSING	1
-	3634010	PAPER - FILTER - DRINK CTR-36RLS/CS (NOT SHOWN)	1
-	3634016	SPACER - FILTER PAPER (NOT SHOWN)	1

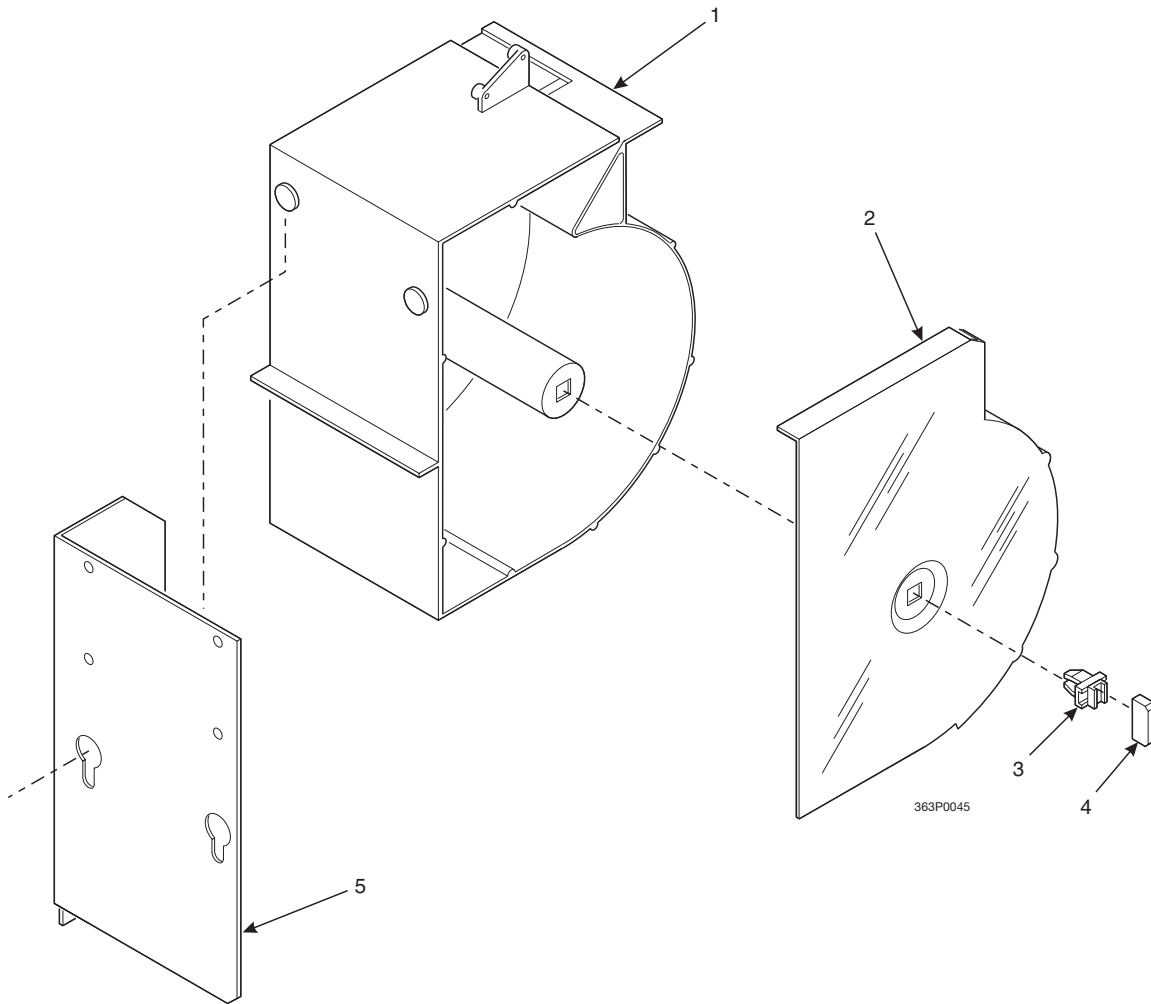
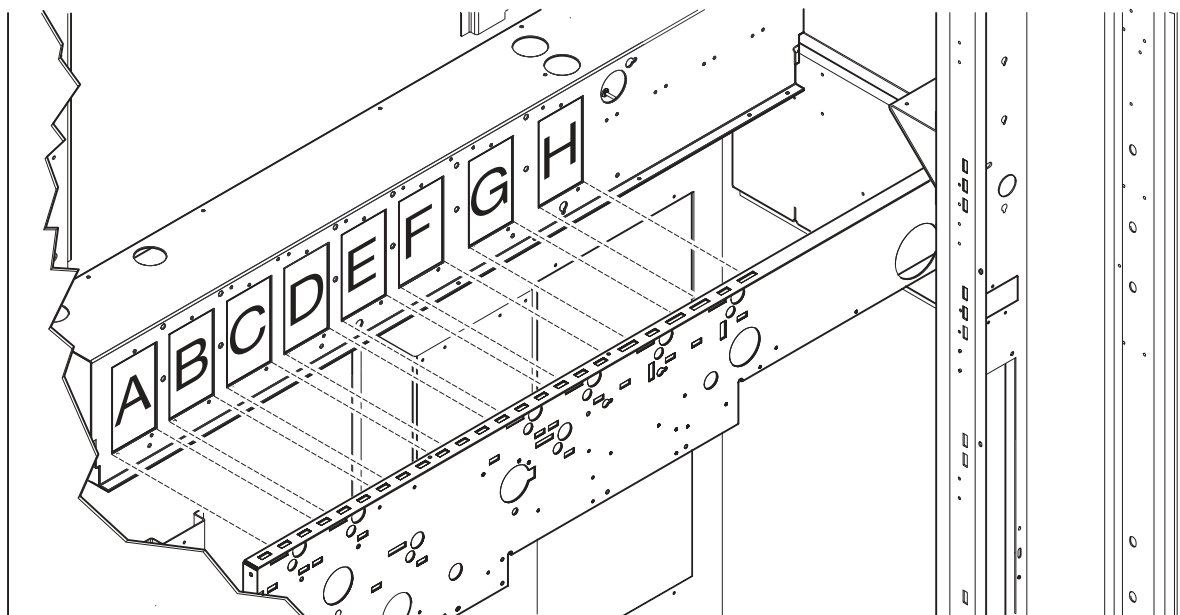


Figure 69. Filter Paper Housing and Bracket Assembly

TABLE 68. CANISTER POSITIONS

CANISTER POSITION	DETAIL FIGURE	DUAL CONDIMENT	INGREDIENT	CANISTER ASSEMBLY
A	71		HOT CHOCOLATE	6537023
B	72		INTERNATIONAL COFFEE	6537024
			SOUP	6537024
	73		SUGAR SUBSTITUTE	6237446
	71		APPLE CIDER	6537023
C	73		LIGHTENER	6237446
D	77		SUGAR	6537025
E	72		6TH PRODUCT	6537024
	73		LIGHTENER	6237446
F	74		TEA (FREEZE DRY)	6537022
	74		DECAF COFFEE (FREEZE DRY)	6537022
	77		SUGAR	6537025
G	75		COFFEE (FRESH BREW)	3637020
	74		COFFEE (FREEZE DRY)	6537022
	75		DECAF COFFEE (FRESH BREW)	3637020
	71		DECAF COFFEE (FREEZE DRY)	6537023
H	71		COFFEE (FRESH BREW)	6337023
	74		COFFEE (FREEZE DRY)	6537022
	76		LEAF TEA (FB LOW CAPACITY)	6237423



363P0071

Figure 70. Canister Positions

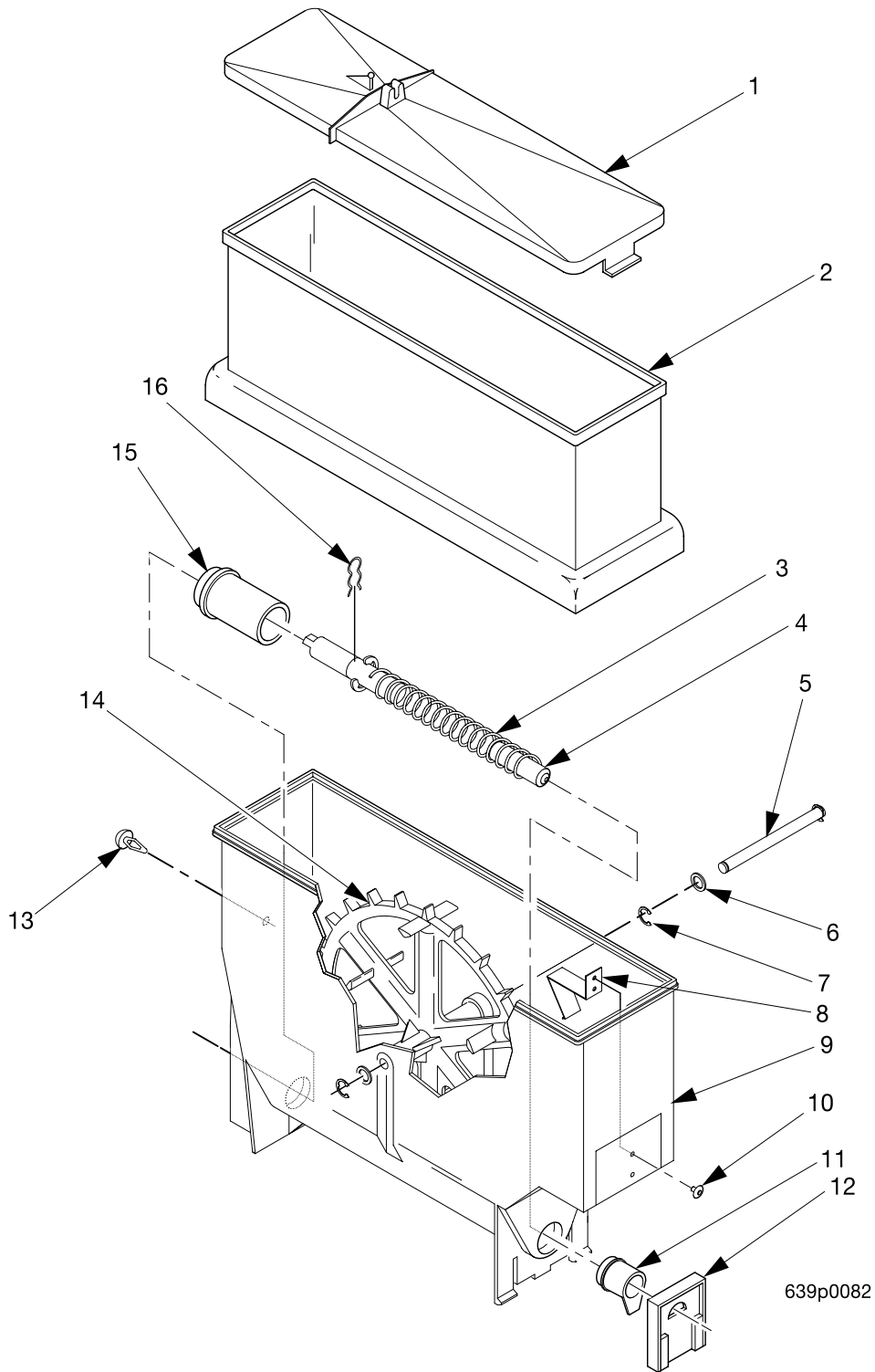


Figure 71. Canister Assembly 6537023

TABLE 69. CANISTER ASSEMBLY 6537023

INDEX	PART NUMBER	DESCRIPTION	QTY.
-	6537023	CANISTER ASSEMBLY - CHOCOLATE	-
1	6237023	LID - CANISTER	1
2	6237439	SLEEVE - CANISTER	1
3	6537018	AUGER AND SHAFT ASSEMBLY (INCLUDES THE NEXT 3 ITEMS)	1
-	6237025	RETAINING RING-"E"-.500	1
4	6537021	PLUG - AUGER	1
5	6237167	SHAFT - CANISTER	1
6	6237116	WASHER - SEAL - WEAR PLATE	2
7	9900415	RETAINING RING REINF E TYP.1	2
8	6237108	SPRING - THUMPER	1
9	6237177	BASE - CANISTER - THUMPER	1
10	6537026	ALUMINUM CAP RIVET-.187 DIA	2
11	6537014	NOZZLE - DISPENSING - F.D. COFFEE	1
12	6537013	GATE - NOZZLE - PLASTIC	1
13	6237053	FASTENER - PUSH IN	1
14	6237181	MIXING WHEEL	1
15	6237014	BEARING - CANISTER	1
16	6337020	CLIP - SPRING	1

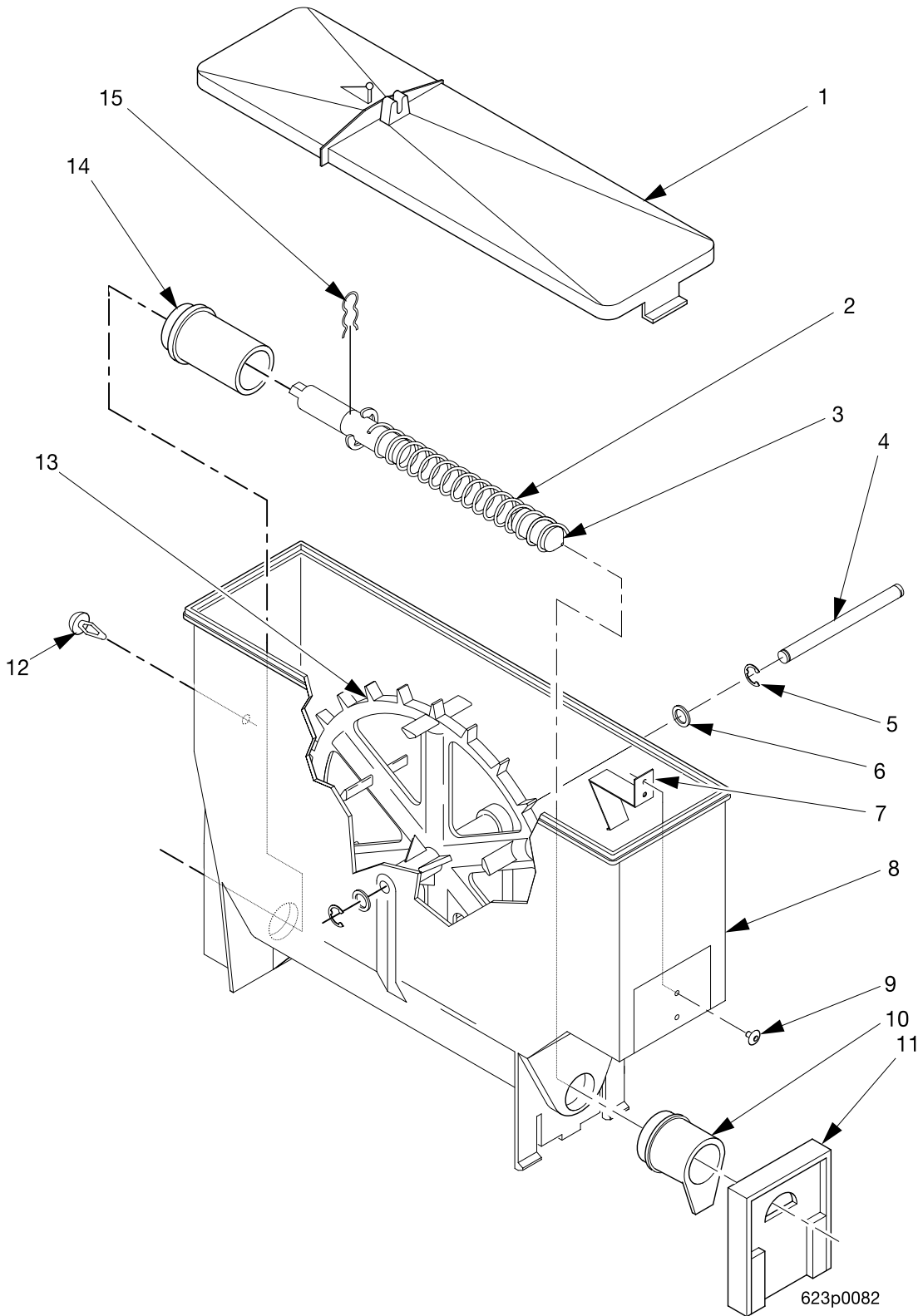


Figure 72. Canister Assembly 6537024

Twin Drink Center Parts Manual

TABLE 70. CANISTER ASSEMBLY 6537024

INDEX	PART NUMBER	DESCRIPTION	QTY.
-	6537024	CANISTER ASSEMBLY - SOUP/6TH PRODUCT	-
1	6237023	LID - CANISTER	1
2	6537018	AUGER AND SHAFT ASSEMBLY (INCLUDES THE NEXT 3 ITEMS)	1
-	6537017	AUGER-CANISTER	1
-	6237025	RETAINING RING-"E"-.500	1
-	6337016	SHAFT-AUGER-LONG	1
3	6537021	PLUG - AUGER	1
4	6237167	SHAFT - CANISTER	1
5	9900415	RETAINING RING REINF E TYP.1	2
6	6237116	WASHER - SEAL - WEAR PLATE	2
7	6237108	SPRING - THUMPER	1
8	6237177	BASE - CANISTER - THUMPER	1
9	6537026	ALUMINUM CAP RIVET - .187 DIA	2
10	6537014	NOZZLE - DISPENSING - CANISTER	1
11	6537013	GATE - NOZZLE - PLASTIC	1
12	6237053	FASTENER - PUSH IN	1
13	6237181	MIXING WHEEL	1
14	6237014	BEARING - CANISTER	1
15	6337020	CLIP - SPRING	1

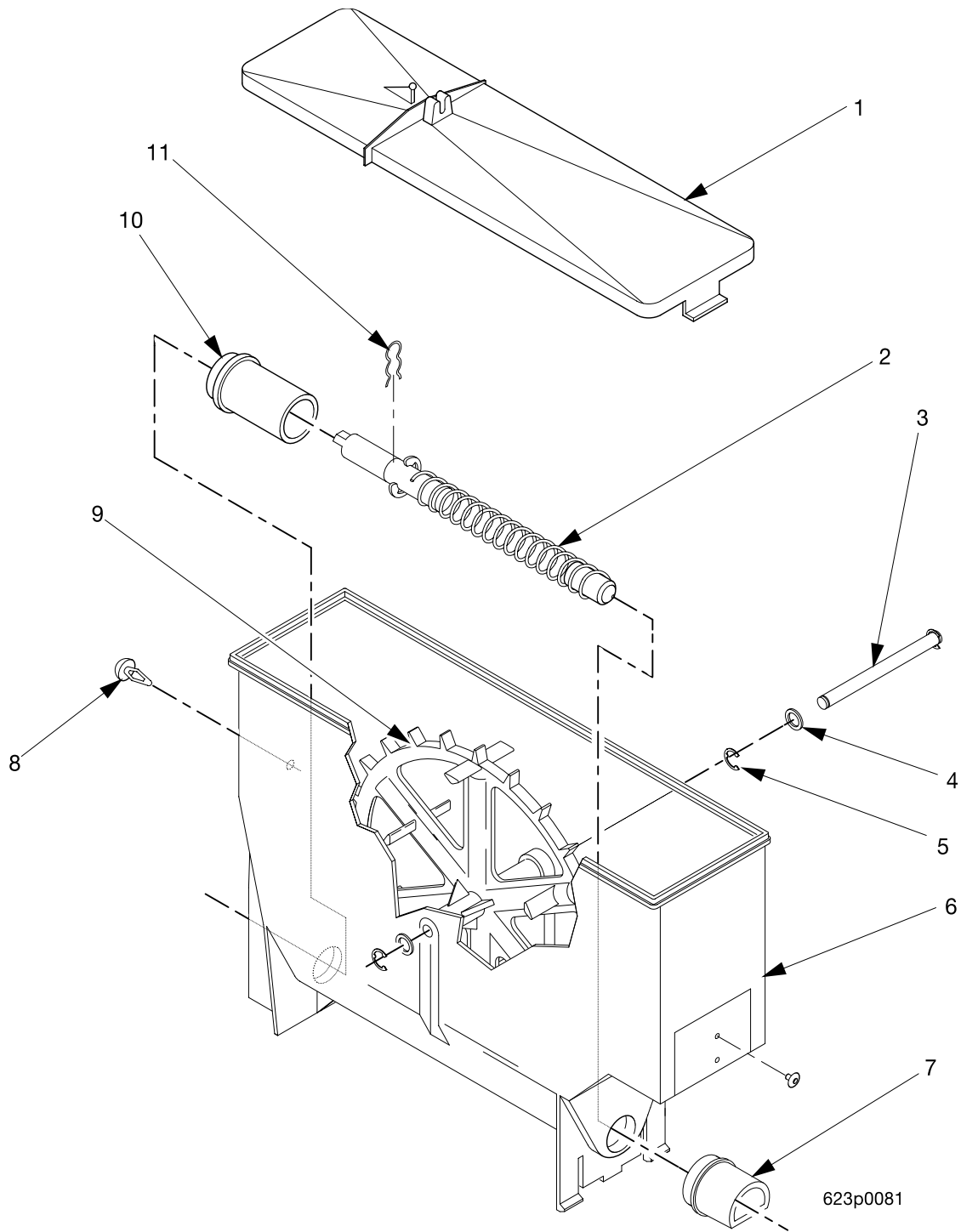


Figure 73. Canister Assembly 6237446

TABLE 71. CANISTER ASSEMBLY 6237446

INDEX	PART NUMBER	DESCRIPTION	QTY.
-	6237446	CANISTER ASSEMBLY - LIGHTENER	-
1	6237023	LID - CANISTER	1
2	6237180	PLUG AND AUGER ASSEMBLY (INCLUDES THE NEXT 2 ITEMS)	1
-	6237046	PLUG - AUGER	1
-	6237179	AUGER ASSEMBLY	1
3	6237167	SHAFT - CANISTER	1
4	6237116	WASHER - SEAL - WEAR PLATE	2
5	9900415	RETAINING RING REINF E TYP.1	2
6	6237176	BASE - CANISTER	1
7	6237106	NOZZLE - DISPENSING - CANISTER	1
8	6237053	FASTENER - PUSH IN	1
9	6237181	MIXING WHEEL	1
10	6237014	BEARING - CANISTER	1
11	6337020	CLIP - SPRING	1

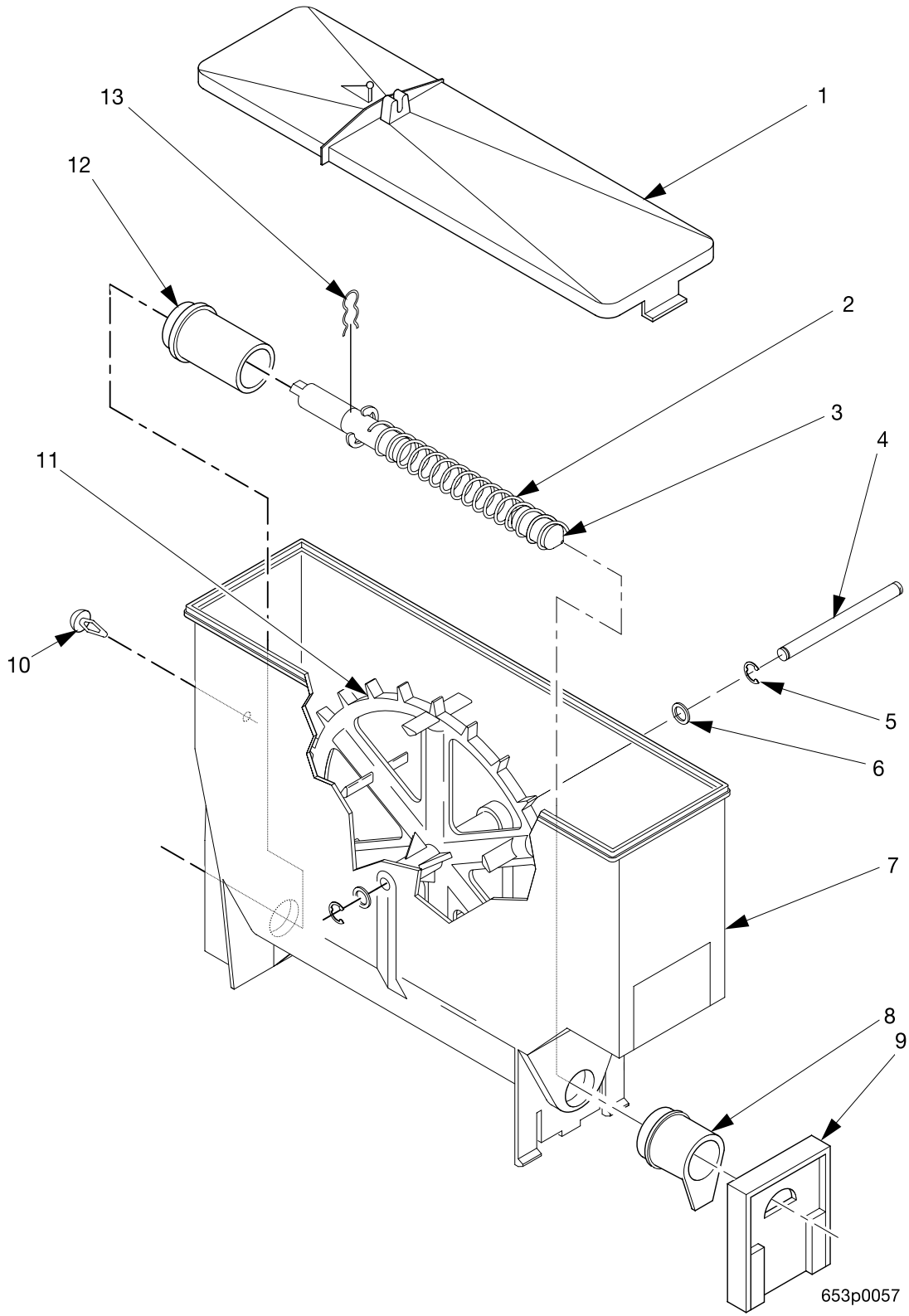


Figure 74. Canister Assembly 6537022

TABLE 72. CANISTER ASSEMBLY 6537022

INDEX	PART NUMBER	DESCRIPTION	QTY.
-	6537022	CANISTER ASSEMBLY - FREEZE DRY COFFEE	-
1	6237023	LID - CANISTER	1
2	6537018	AUGER AND SHAFT ASSEMBLY (INCLUDES THE NEXT 3 ITEMS)	1
3	6537021	PLUG - AUGER	1
4	6237167	SHAFT - CANISTER	1
5	9900415	RETAINING RING REINF TYP.1	2
6	6237116	WASHER - SEAL - WEAR PLATE	2
7	6237176	BASE - CANISTER	1
8	6537014	NOZZLE - DISPENSING - CANISTER	1
9	6537013	GATE - NOZZLE - PLASTIC	1
10	6237053	FASTENER - PUSH IN	1
11	6237181	MIXING WHEEL	1
12	6237014	BEARING - CANISTER	1
13	6337020	CLIP - SPRING	1

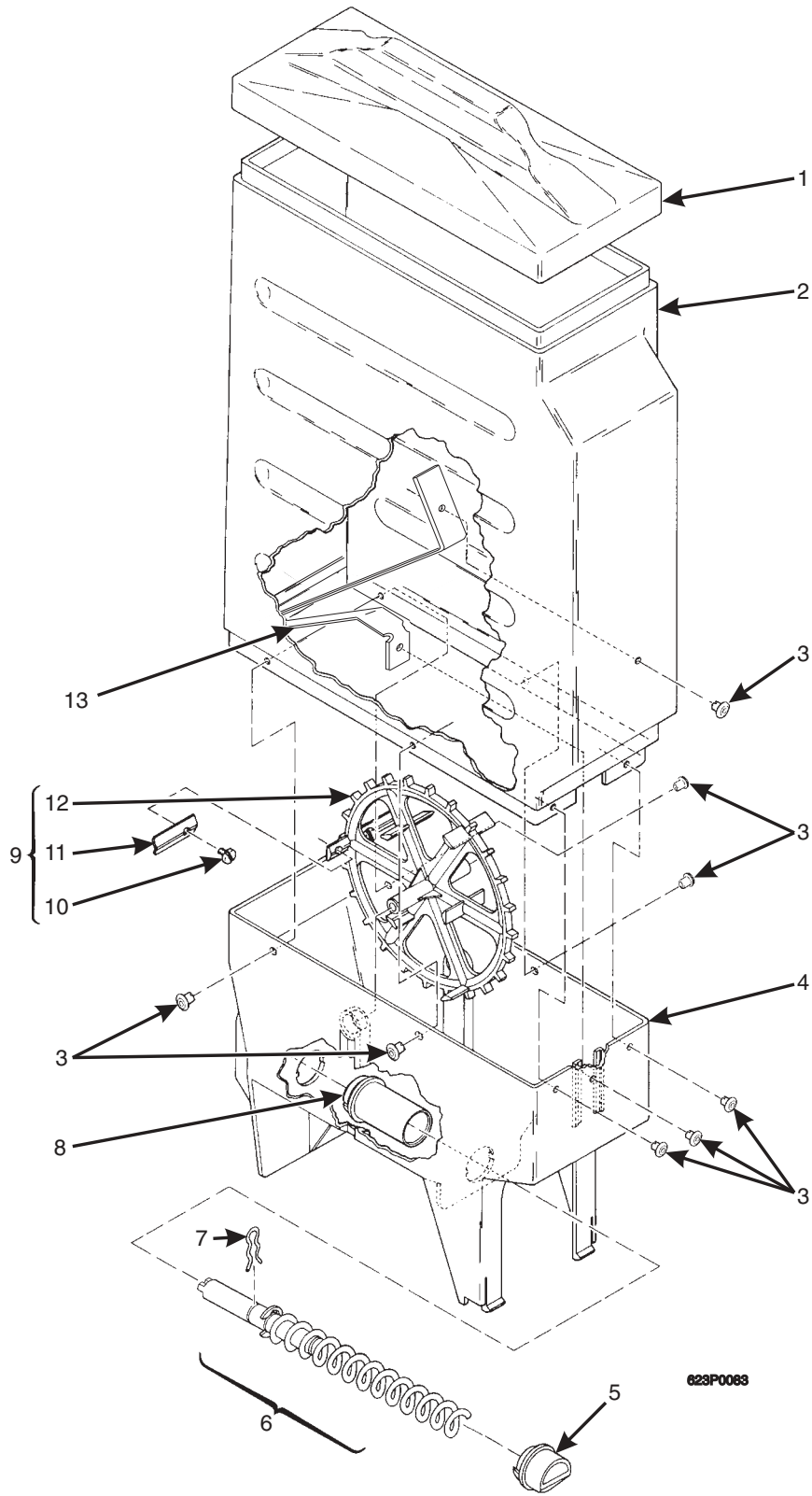


Figure 75. Canister Assembly 3637020

TABLE 73. CANISTER ASSEMBLY 3637020

INDEX	PART NUMBER	DESCRIPTION	QTY.
-	3637020	CANISTER ASSEMBLY - DECAF - PRE GROUND FRESH BREW	-
1	6237069	LID - CANISTER	1
2	6337025	SLEEVE - CAN.	1
3	6237019	ALUMINUM "POP" RIVET - .187 DIA	12
4	6337021	CANISTER BASE - F.B. COFFEE	1
5	6237063	NOZZLE - DISPENSING - CANISTER	1
6	6237095	AUGER AND SHAFT ASSEMBLY - COFFEE	1
7	6337020	CLIP - SPRING	1
8	6237014	BEARING - CANISTER	1
9	6337030	MIXING WHEEL ASSEMBLY (INCLUDES INDEX NUMBERS 10 THROUGH 12)	1
10	6237019	ALUMINUM "POP" RIVET - .187 DIA.	2
11	6337087	EXTENSION - WHEEL - F.B. COFFEE	2
12	6337086	MIXING WHEEL - F.B. COFFEE	1
13	6237020	SPRING - GROUND COFFEE	1

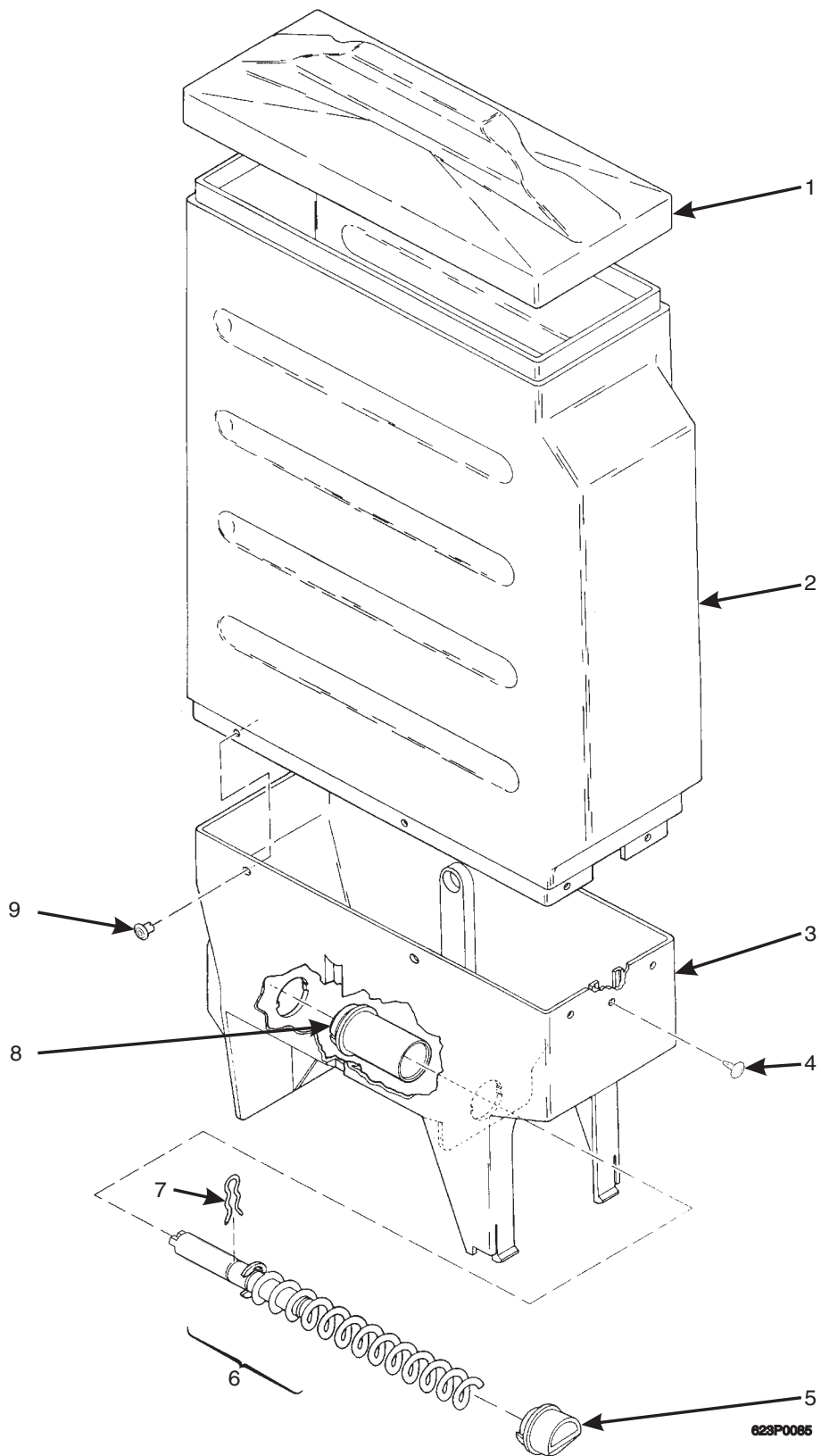


Figure 76. Canister Assembly 6237423

TABLE 74. CANISTER ASSEMBLY 6237423

INDEX	PART NUMBER	DESCRIPTION	QTY.
-	6237423	CANISTER ASSEMBLY - LEAF TEA - LOW CAPACITY	-
1	6237069	LID - CANISTER	1
2	6337027	SLEEVE - CAN.	1
3	6237062	CANISTER BASE	1
4	6237053	FASTENER - PUSH IN	1
5	6237080	NOZZLE - DISPENSING - CANISTER	1
6	6237095	AUGER AND SHAFT ASSEMBLY	1
7	6337020	CLIP - SPRING	1
8	6237014	BEARING - CANISTER	1
9	6237019	ALUMINUM "POP" RIVET - .187 DIA	6

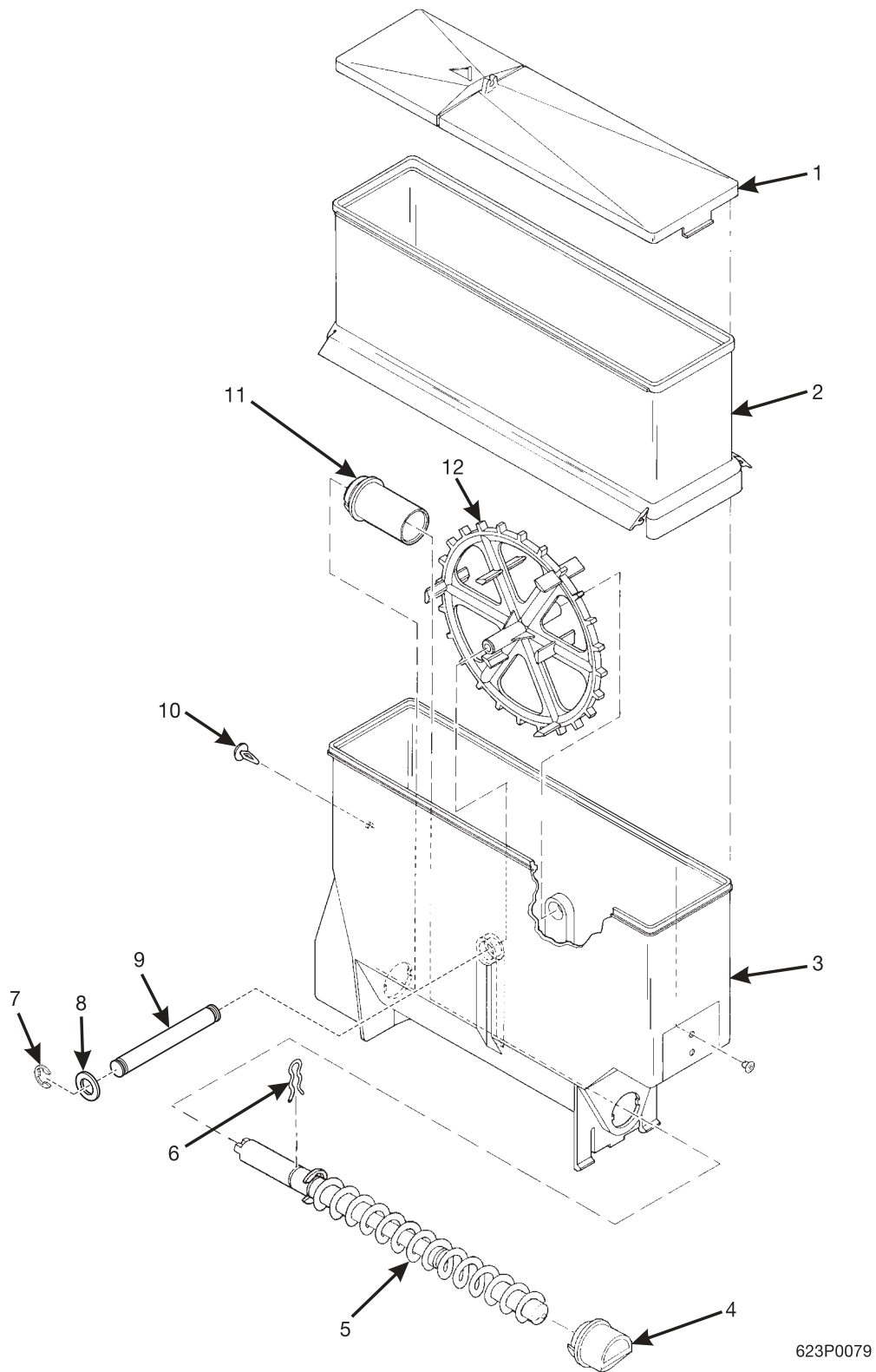


Figure 77. Canister Assembly 6537025

Twin Drink Center Parts Manual

TABLE 75. CANISTER ASSEMBLY 6537025

INDEX	PART NUMBER	DESCRIPTION	QTY.
-	6237449	CANISTER ASSEMBLY - 1 SLV - W/MIXING	-
1	6237023	LID - CANISTER	1
2	6237008	SLEEVE - CANISTER 4 IN	1
3	6237176	BASE - CANISTER	1
4	6237063	NOZZLE - DISPENSING - CANISTER	1
5	6537018	AUGER AND SHAFT ASSEMBLY (INCLUDES THE NEXT 3 ITEMS)	1
-	6537017	AUGER-CANISTER	1
-	6237025	RETAINING RING-"E"-.500	1
-	6337016	SHAFT-AUGER-LONG	1
6	6337020	CLIP - SPRING	1
7	9900415	RETAINING RING REINF E TYP.1	2
8	6237116	WASHER - SEAL - WEAR PLATE	2
9	6237167	SHAFT - CANISTER	1
10	6237053	FASTENER - PUSH IN	1
11	6237014	BEARING - CANISTER	1
12	6237181	MIXING WHEEL	1

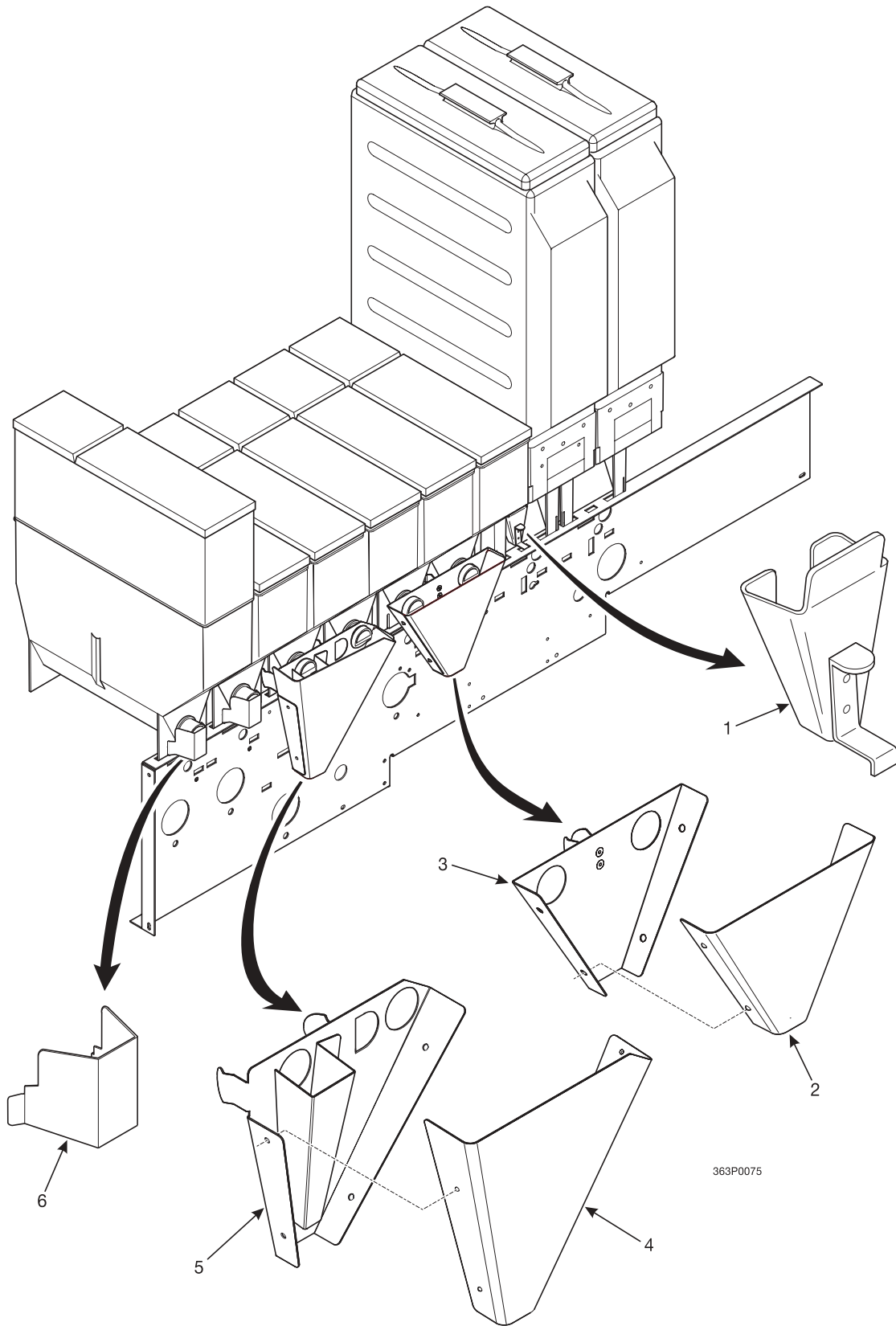
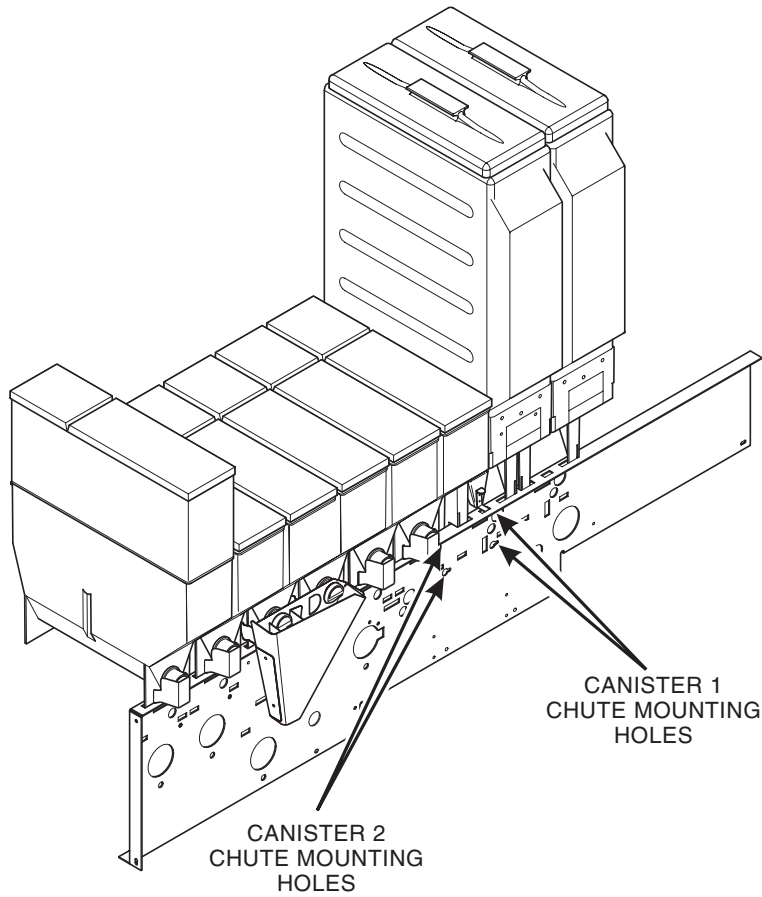


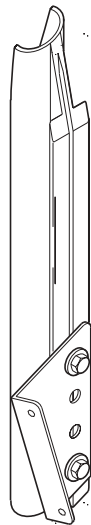
Figure 78. Product and Condiment Chutes

TABLE 76. PRODUCT AND CONDIMENT CHUTES

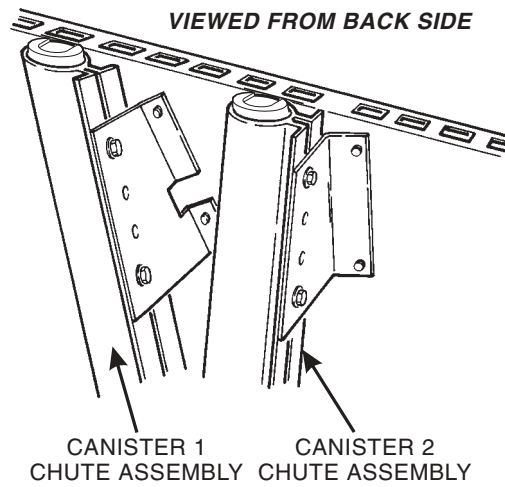
INDEX	PART NUMBER	DESCRIPTION	QTY.
1	6237241	CHUTE ASSEMBLY - PREGROUND COFFEE	1
2	6337052	COVER - INGREDIENT CHUTE (TEA) (DUAL CONDIMENT ONLY)	1
3	6337054	CHUTE ASSEMBLY - 2 INGREDIENT (TEA) (DUAL CONDIMENT ONLY)	1
4	6367005	COVER - INGREDIENT CHUTE - 2 PRODUCT	1
5	6367006	CHUTE ASSEMBLY - 2 PRODUCT	1
6	6337015	BRACKET - DEFLECTOR - CHOCOLATE	1



6237293 DETAIL



6237281 DETAIL



363P0109

COFFEE BREWER DELIVERY CHUTES - SEE TABLE FOR USAGE

Figure 79. Product Delivery Chute Assembly Usage

Twin Drink Center Parts Manual

TABLE 77. PRODUCT DELIVERY CHUTE ASSEMBLY USAGE

	CANISTER 2	CANISTER 1
TYPE OF PRODUCT	FREEZE DRIED COFFEE OR FREEZE DRIED TEA	PRE-GROUND COFFEE OR LEAF TEA
CHUTES USED (BY PART NUMBER)	NO CHUTES PRESENT	6237241 6237287
TYPE OF PRODUCT	FREEZE DRIED COFFEE OR FREEZE DRIED TEA	FREEZE DRIED COFFEE OR FREEZE DRIED TEA
CHUTES USED (BY PART NUMBER)	6337015	6337015
TYPE OF PRODUCT	PRE-GROUND COFFEE OR LEAF TEA	PRE-GROUND COFFEE OR LEAF TEA
CHUTES USED (BY PART NUMBER)	6237241 6237281	6237241 6237293
TYPE OF PRODUCT	FREEZE DRIED COFFEE OR FREEZE DRIED TEA	
CHUTES USED (BY PART NUMBER)	6337015	

TABLE 80 A. DELIVERY CHUTE 6237293 PARTS

PART NUMBER	DESCRIPTION	QTY.
3128092	SCREW HILO 7/19 X 3/8	2
6237276	CHUTE - DUAL - R.H.	1
6237277	TUBE BRACKET - R.H.	1

TABLE 80 B. DELIVERY CHUTE 6237281 PARTS

PART NUMBER	DESCRIPTION	QTY.
3128092	SCREW HILO 7/19 X 3/8	2
6237279	CHUTE - DUAL - L.H.	1
6237280	TUBE BRACKET - SINGLE BREW - L.H.	1

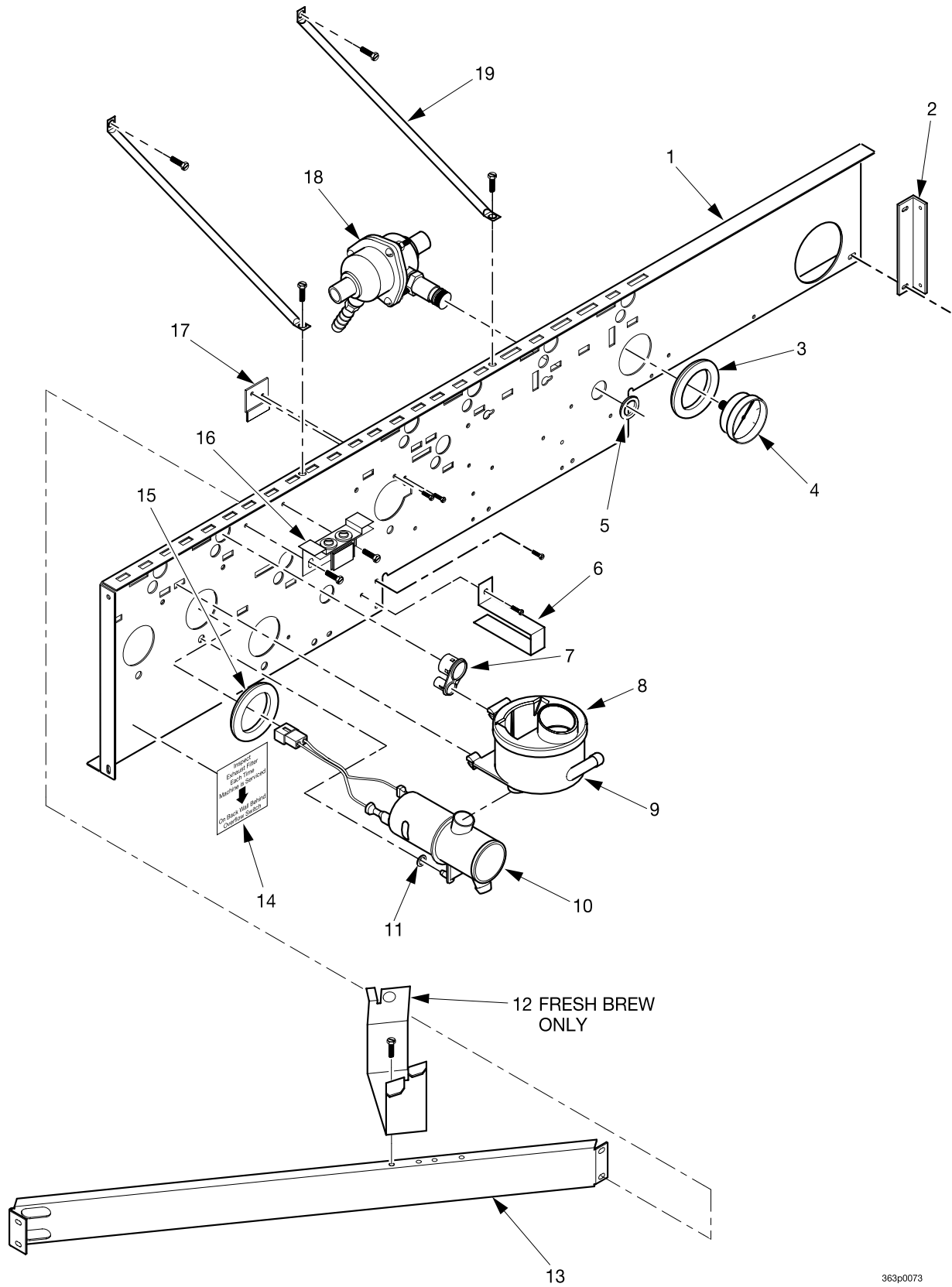
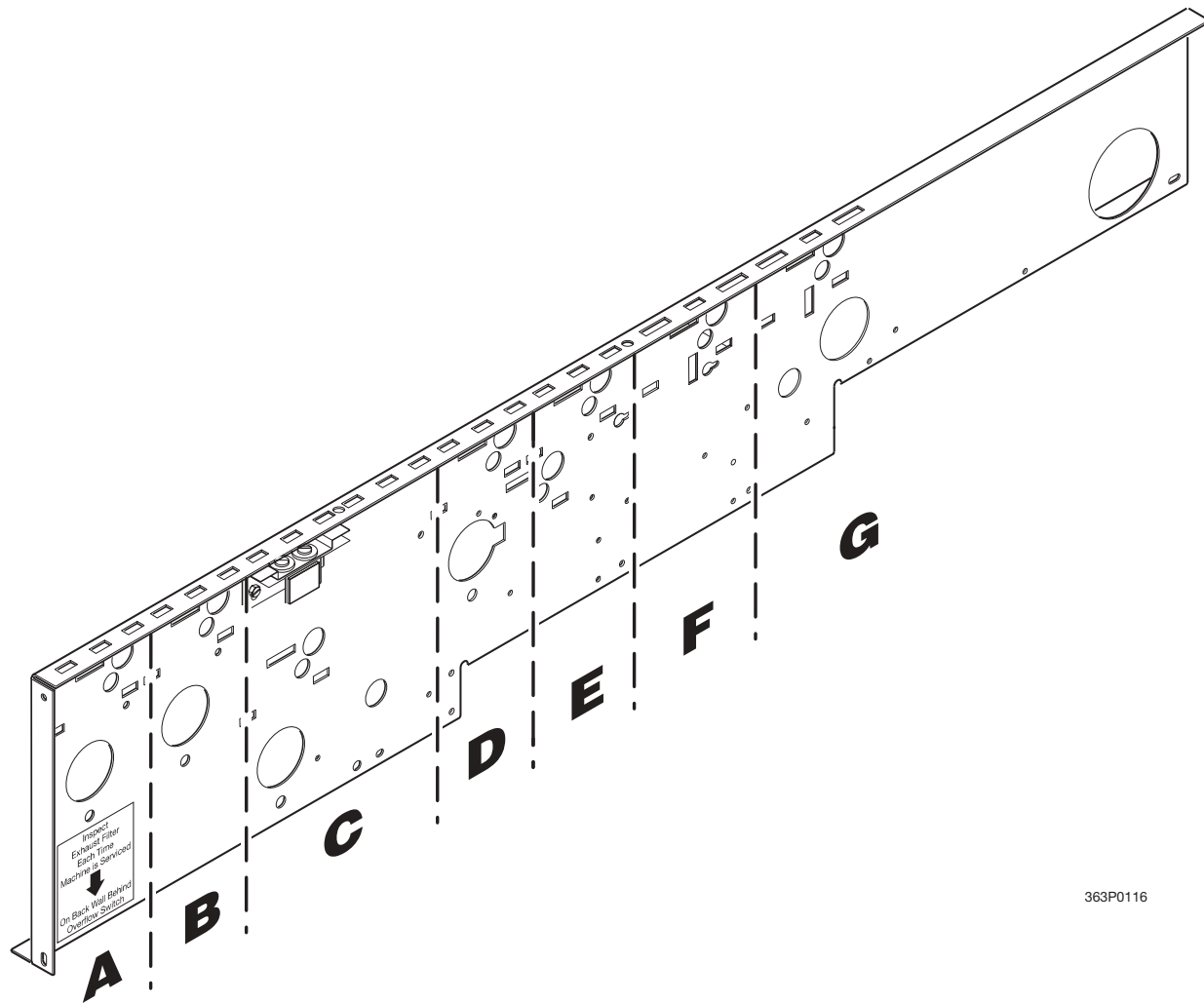


Figure 80. Canister Support Channel Assembly

TABLE 81. CANISTER SUPPORT CHANNEL ASSEMBLY

INDEX	PART NUMBER	DESCRIPTION	QTY.
1	3631120	CHANNEL - CANISTER SUPPORT	1
2	6231033	BRACKET - CANISTER SUPPORT	1
3	6237051	GROMMET - GAUGE MOUNTING (FRESH BREW ONLY)	OPT.
4	6108065	GAUGE COMPRESSOR #FP-7 (FRESH BREW ONLY)	1
5	6237052	GROMMET - REGULATOR MOUNTING (FRESH BREW ONLY)	1
6	3638015	BRACKET - TUBING - SYRUP	6
7	6237315	RETAINER - TUBE - MIXING BOWL	1
8	6537019	VENT AND DIVIDER ASSEMBLY	1
9	6537030	MIXING BOWL	1
10	6237195	WHIPPER ASSEMBLY - DRINK	OPT.
11	2302223	GROMMET - 3/16	OPT.
12	6331009	BRACE - CANISTER SUPPORT	1
13	6337017	BRACKET - FLOW REGULATOR	1
14	6231169	LABEL - EXHAUST - FILTER INSP	1
15	6237115	GROMMET - WHIPPER MOUNTING	OPT.
16	6337057	CANISTER SUPPORT ASSEMBLY - LIGHTENER	1
17	6231154	ADAPTER - MIXING BOWL MOUNTING	OPT.
18	6234361	REGULATOR ASSEMBLY (FRESH BREW ONLY)	1
19	6231516	BRACE - CANISTER SUPPORT - UPPER	4



363P0116

Figure 81. Mixing Bowl and Whipper Positions

TABLE 82. MIXING BOWL AND WHIPPER POSITIONS

POSITION	SELECTION	WHIPPER	COMPONENT	QTY.	PART NO.
A	CHOCOLATE	YES	MIXING BOWL ASSEMBLY	1	6237127
			RETAINER TUBE - MIXING BOWL	1	6237315
			GROMMET - WHIPPER MOUNTING	1	6237115
			GROMMET 3/16	1	2302223
			WHIPPER ASSEMBLY	1	6237195
B	SOUP	YES	MIXING BOWL ASSEMBLY	1	6237127
			RETAINER TUBE - MIXING BOWL	1	6237315
			GROMMET - WHIPPER MOUNTING	1	6237115
			GROMMET 3/16	1	2302223
			WHIPPER ASSEMBLY	1	6237195
	INT'L COFFEE	NO	MIXING BOWL ASSEMBLY	1	6237125
			RETAINER TUBE - MIXING BOWL	1	6237315
CONDIMENT	N/A	NONE	1	-	
C	CONDIMENTS	YES	MIXING BOWL ASSEMBLY	1	6237128
			RETAINER TUBE - MIXING BOWL	1	6237315
			GROMMET - WHIPPER MOUNTING	1	6237115
			GROMMET 3/16	1	2302223
			WHIPPER ASSEMBLY	1	6237195
			MIXING BOWL ASSEMBLY	1	6237126
			RETAINER TUBE - MIXING BOWL	1	6237315
D	6TH PRODUCT	YES	MIXING BOWL ASSEMBLY	1	6237127
			RETAINER TUBE - MIXING BOWL	1	6237315
			GROMMET - WHIPPER MOUNTING	1	6237115
			GROMMET 3/16	1	2302223
			WHIPPER ASSEMBLY	1	6237195
		NO	MIXING BOWL ASSEMBLY	1	6237125
RETAINER TUBE - MIXING BOWL	1		6237315		
E	FREEZE DRY TEA	NO	MIXING BOWL ASSEMBLY	1	6237125
			RETAINER TUBE - MIXING BOWL	1	6237315
F	FREEZE DRY DECAF	NO	MIXING BOWL ASSEMBLY	1	6237125
			RETAINER TUBE - MIXING BOWL	1	6237315
	FRESH BREW DECAF		NONE	1	-
	BEAN DECAF		NONE	1	-
G	FREEZE DRY COFFEE	NO	MIXING BOWL ASSEMBLY	1	6237125
			RETAINER TUBE - MIXING BOWL	1	6237315
	FRESH BREW COFFEE		NONE	1	-
	BEAN COFFEE		NONE	1	-

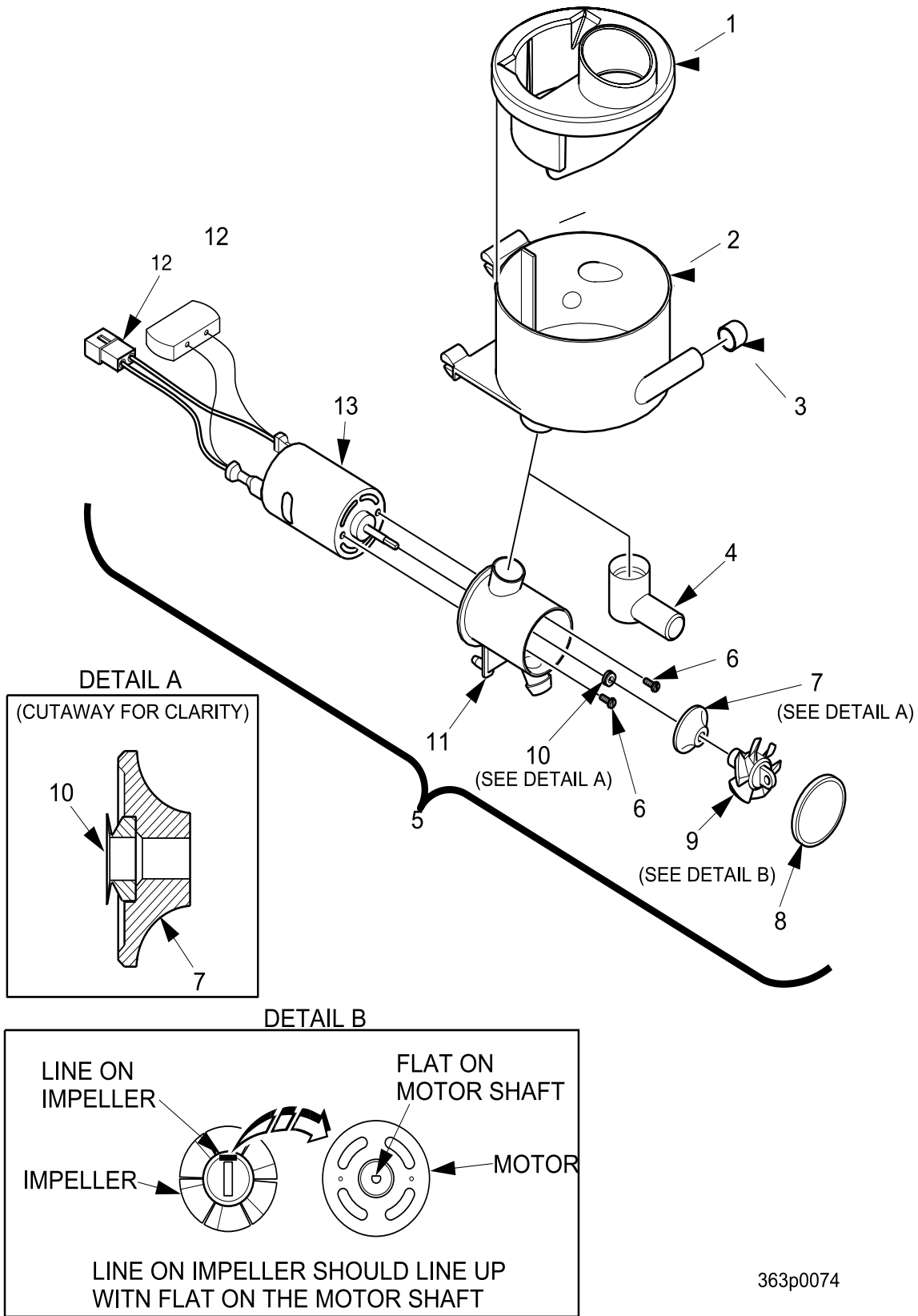
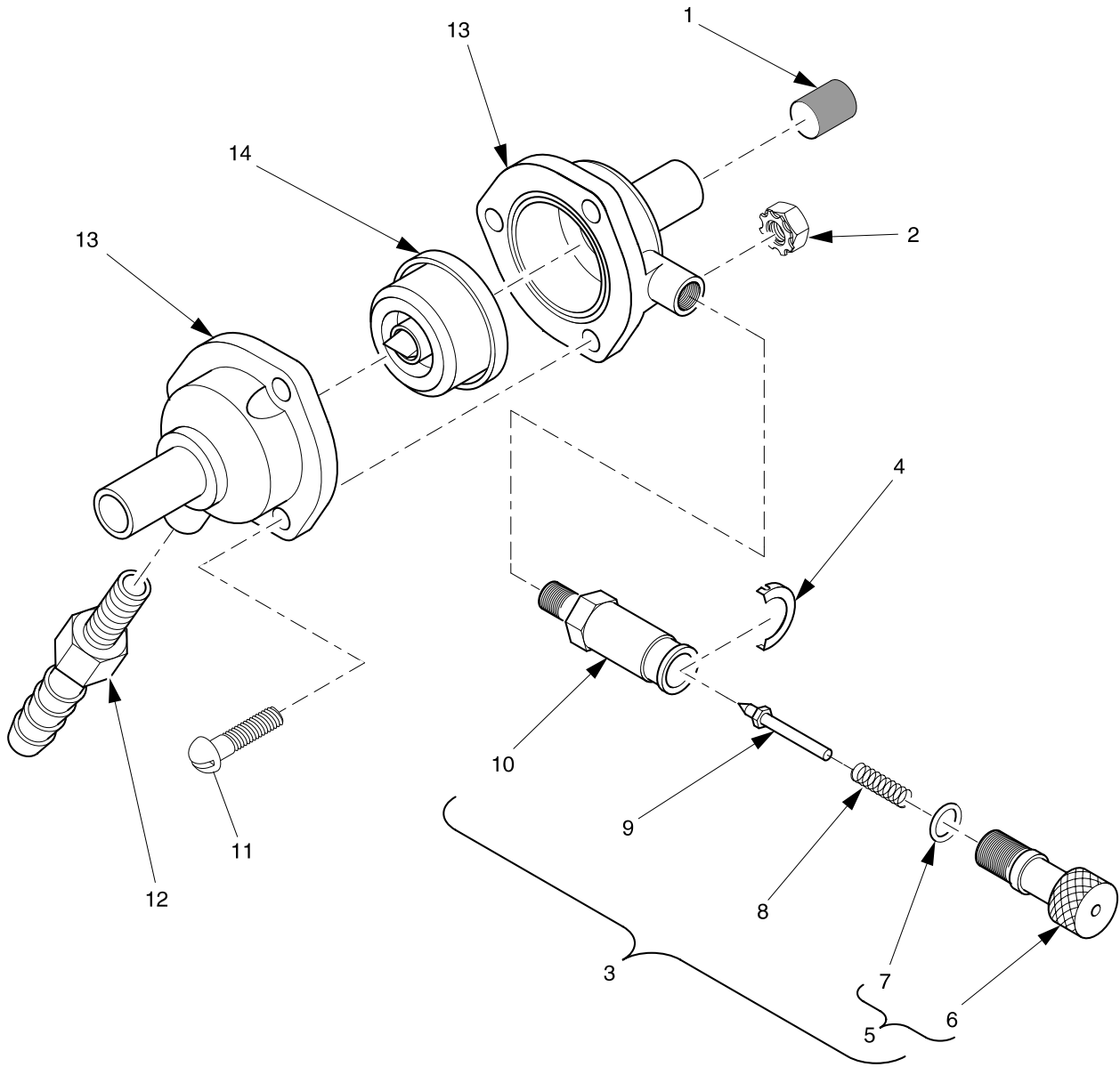


Figure 82. Mixing Bowl and Whipper Assemblies

TABLE 83. MIXING BOWL AND WHIPPER ASSEMBLIES

INDEX	PART NUMBER	DESCRIPTION	QTY.
1	6537019	VENT AND DIVIDER ASSEMBLY	1
2	6537030	MIXING BOWL	1
3	6237306	VINYL CAP - .38 I.D.	OPT.
4	6237312	SPOUT - MIXING BOWL	OPT.
5	6237195	WHIPPER ASSEMBLY - DRINK (INCLUDES INDEX NUMBERS 6 - 13)	OPT.
6	6237119	SCREW - M3XL.5 - 6GX6MM - SPH	2
7	6237192	SPACER - WHIPPER	1
8	6237114	COVER - WHIPPER	1
9	6237194	IMPELLER - WHIPPER	1
10	6237110	V RING - SHAFT SEAL	1
11	6237193	HOUSING - WHIPPER	1
12	6237157	HARNESS - WHIPPER MOTOR	1
13	6237111	MOTOR - WHIPPER - 24V DC	1



363p0072

Figure 83. Regulator Assembly

TABLE 84. REGULATOR ASSEMBLY

INDEX	PART NUMBER	DESCRIPTION	QTY.
-	6234981	REGULATOR ASSEMBLY	REF
1	6234335	FILTER - AIR REGULATOR	1
2	9900081	NUT, #8-32 X 3/4 RHS	3
3	6154284	CONTROL ASSEMBLY (INCLUDES INDEX NUMBERS 4 - 10)	1
4	6154285	RETAINER - ADJUSTER	1
5	6154289	ADJUSTER ASSEMBLY (INCLUDES INDEX NUMBERS 6 & 7)	1
6	6154290	ADJUSTER - CONTROL	1
7	6154232	O RING - .239 X .07	1
8	6154286	SPRING - PRESSURE CONTROL	1
9	6154287	PLUNGER - PRESSURE CONTROL	1
10	6154288	BODY - PRESSURE CONTROL	1
11	9900115	SCREW, #8-32 X 3/4 RHS	3
12	3167128	FITTING - PARKER # P4MCB2	1
13	6154214	BODY - REGULATOR	2
14	6334016	DIAPHRAGM AND RESTRICTOR ASSEMBLY	1

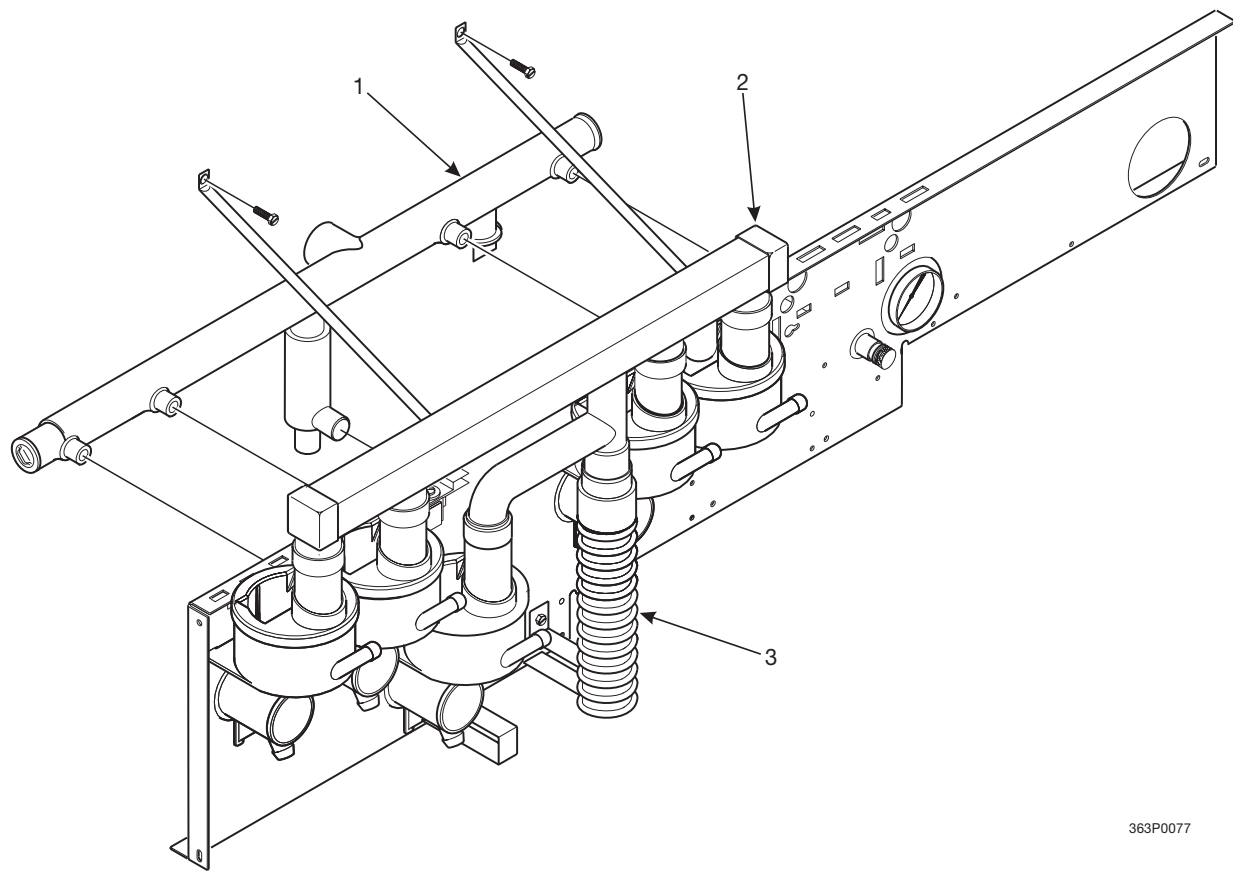
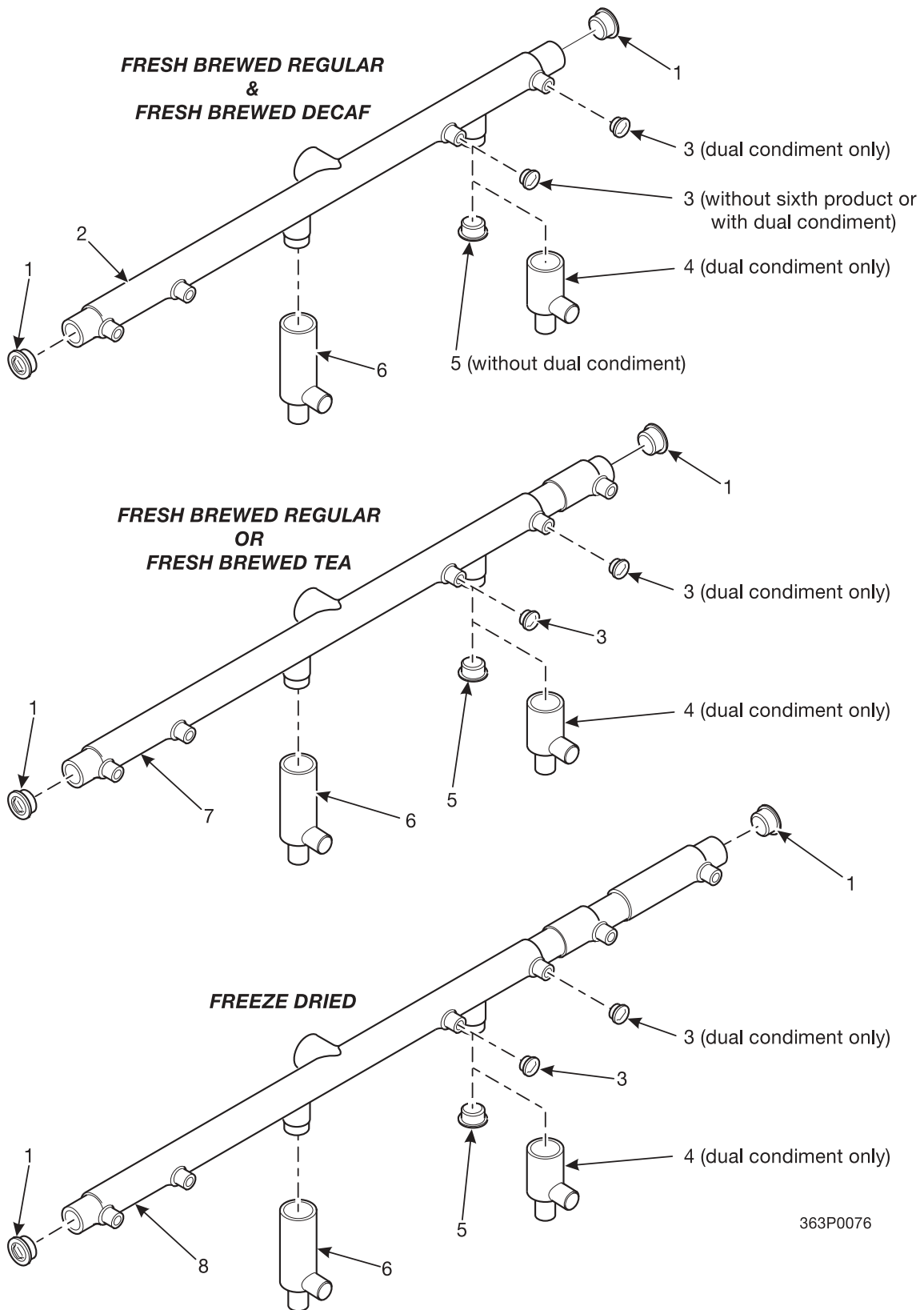


Figure 84. Ventilation Assemblies

TABLE 85. VENTILATION ASSEMBLIES

INDEX	PART NUMBER	DESCRIPTION	QTY.
1	-	SHELF VENT ASSEMBLY (SEE FIGURE 85 FOR DETAILS)	1
2	-	VENT ASSEMBLY (SEE FIGURE 86 FOR DETAILS)	1
3	3607001	HOSE ASSEMBLY - EXHAUST BLOWER	1



363P0076

Figure 85. Shelf Vent Assemblies

TABLE 86. SHELF VENT ASSEMBLIES

INDEX	PART NUMBER	DESCRIPTION	QTY.
1	6237335	VINYL CAP - 1.00 I.D. X .50 LG. - .38 HOLE	-
2	6237470	VENT - SHELF - DUAL FRESH BREW WITH 6TH PRODUCT	-
3	6237303	PLUG - CENTER PULL - .56 (USE WHEN 6TH PRODUCT IS NOT PRESENT)	OPT.
4	6237455	VENT - EXTENSION - SHORT (USE WITH DUAL CONDIMENT)	OPT.
5	6237301	PLUG - CENTER PULL - .93 (USE WHEN 6TH PRODUCT IS NOT PRESENT)	OPT.
6	6237336	VENT - EXTENSION - SUGAR/LIGHTENER	-
7	6237460	VENT - SHELF - SINGLE FRESH BREW WITH 6TH PRODUCT	-
8	6237333	VENT - SHELF - FREEZE DRIED - 6TH PRODUCT	-

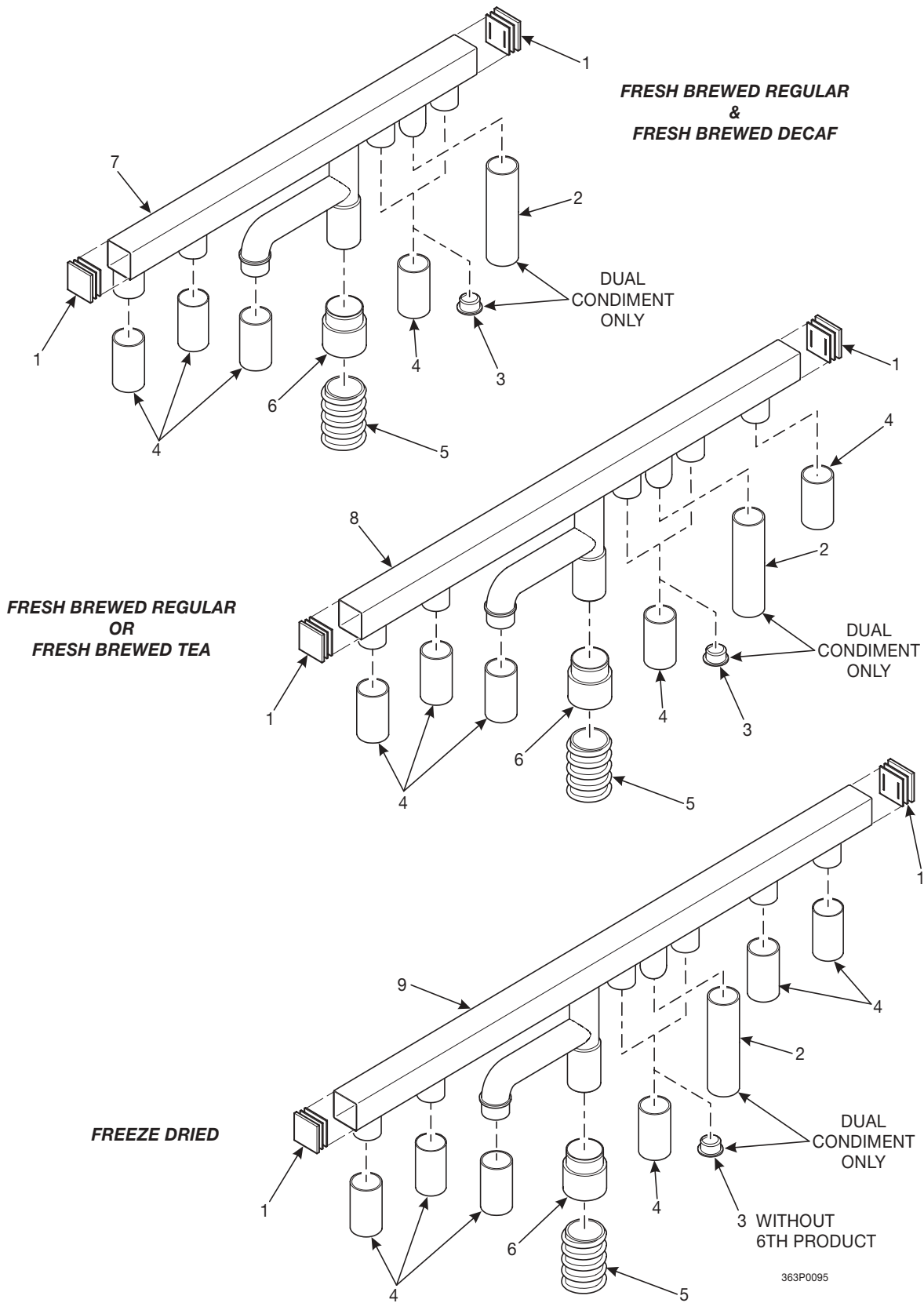


Figure 86. Vent Assemblies

TABLE 87. VENT ASSEMBLIES

INDEX	PART NUMBER	DESCRIPTION	QTY.
1	6337082	CAP - END VENT	-
2	6337059	TUBE - EXTENSION - 2 INGREDIENT (USE WITH DUAL CONDIMENT ONLY)	-
3	6237301	PLUG - CENTER PULL - .93 (USE WITH DUAL CONDIMENT ONLY)	-
4	6337049	TUBE - EXTENSION - SILICONE	-
5	6237337	HOSE - EXHAUST - 18" LONG	-
6	6137157	COUPLING - VENT HOSE	-
7	3637012	VENT - DUAL FRESH BREW W/6TH PRODUCT	-

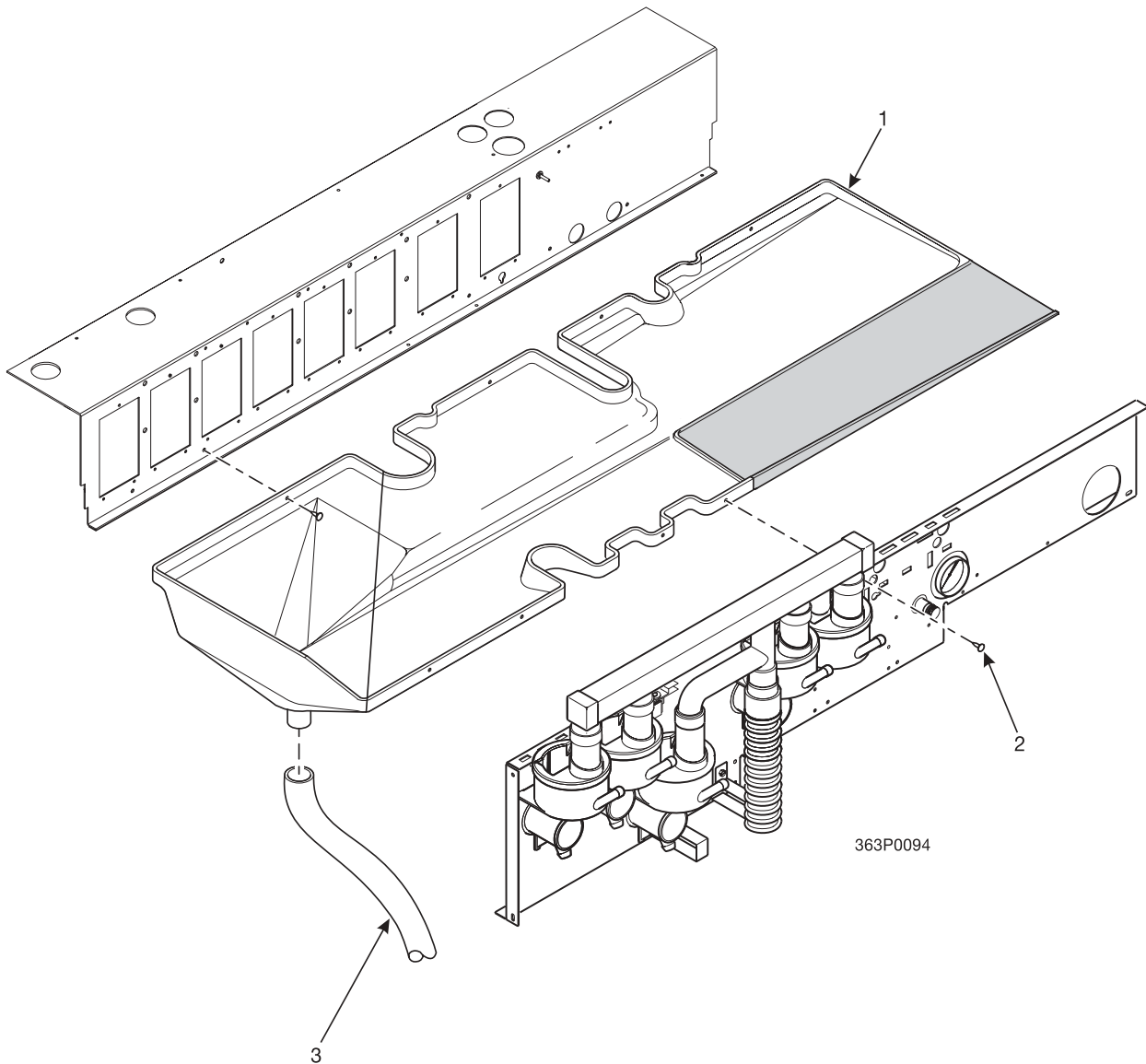


Figure 87. Ingredient Drain Tray Accessory

TABLE 88. INGREDIENT DRAIN TRAY ACCESSORY

INDEX	PART NUMBER	DESCRIPTION	QTY.
-	6240823	INGREDIENT DRAIN TRAY ACCESSORY	REF.
1	6241009	INGREDIENT DRAIN TRAY-32" (FRESH BREW - SHADED AREA IS REMOVED)	1
	6241008	INGREDIENT DRAIN TRAY-32" (FREEZE DRIED - SHADED AREA IS PRESENT)	
2	6237053	FASTENER-PUSH IN	8
3	6231371	TUBE-6238090-21.0"	1

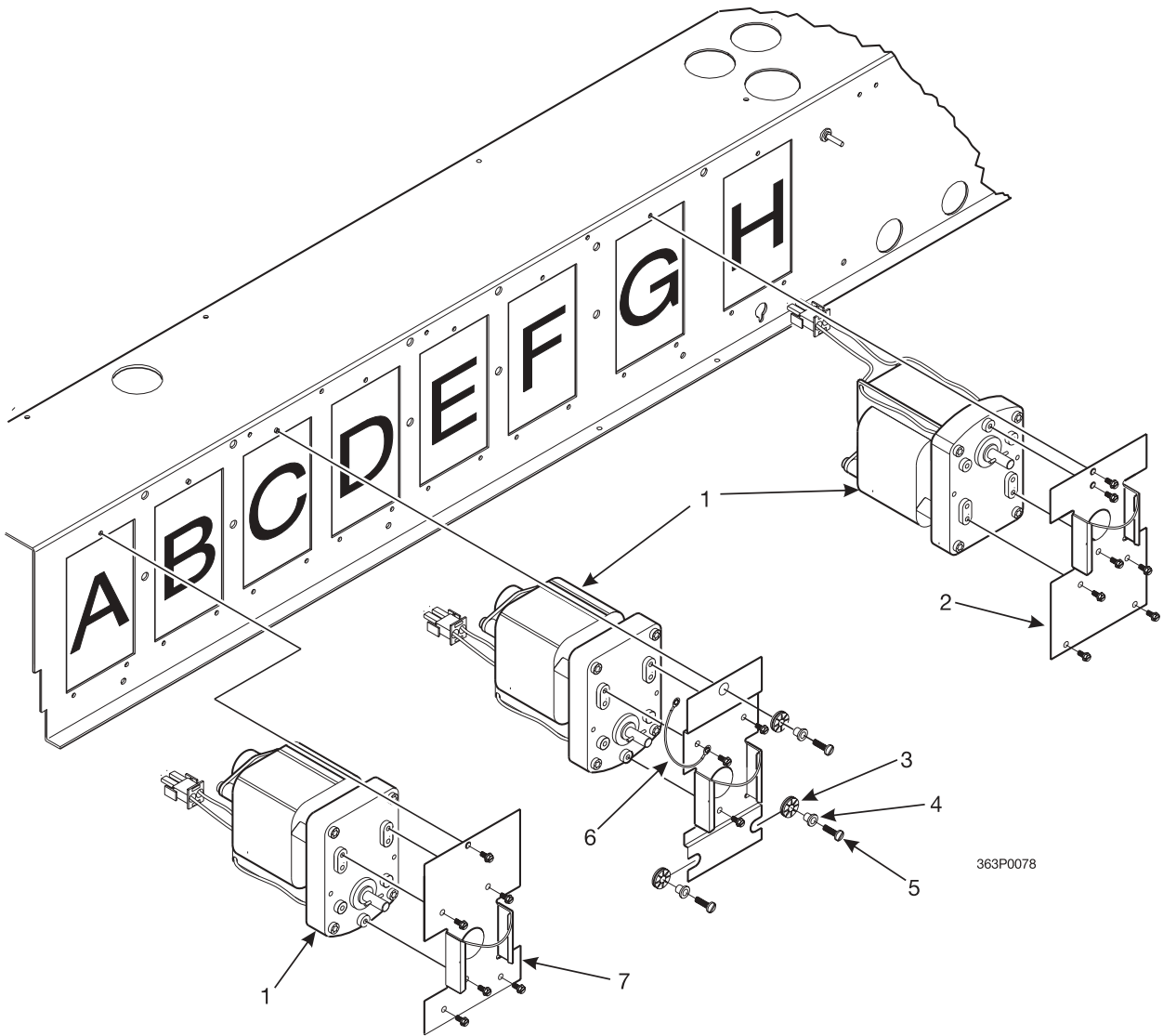


Figure 88. Motor and Plate Assembly

TABLE 89. MOTOR AND PLATE ASSEMBLY

INDEX	PART NUMBER	DESCRIPTION	QTY.
1	6237165	MOTOR - CANISTER - 115V/60HZ - 200 RPM	-
2	6237077	PLATE ASSEMBLY - COFFEE MOTOR MOUNTING - WELD	-
3	6237356	VIBRATION ISOLATOR - .375 DIA.	-
4	6237170	BUSHING - CANISTER	-
5	3102447	SCREW - 8-32 X 3/4 PHS TYPE 23 T/C ZNC	-
6	1475119	JUMPER - GROUND WIRE	-
7	6237074	PLATE ASSEMBLY - MOTOR MOUNTING - WELD	-

Twin Drink Center Parts Manual

TABLE 90. MOTOR POSITION USAGE - BRZ./MEX./U.S.

MOTOR POSITION	CONDIMENT OPTION		INGREDIENT	DESCRIPTION	QTY	PART NO.
	DUAL	SINGLE				
A			CHOCOLATE	MOTOR AND PLATE ASSEMBLY - 200 RPM	1	6237436
				SCREW	3	1451097
B			SOUP	MOTOR AND PLATE ASSEMBLY - 200 RPM	1	6237436
				SCREW	3	1451097
C			WHITENER	MOTOR AND PLATE ASSEMBLY - 200 RPM	1	6237184
				SCREW	3	3102447
				CANISTER BUSHING	3	6237170
				VIBRATION ISOLATOR	3	6237356
D			SUGAR	MOTOR AND PLATE ASSEMBLY - 200 RPM	1	6237436
				SCREW	3	1451097
E			6TH PRODUCT ACCESSORY PRESENT	MOTOR AND PLATE ASSEMBLY - 200 RPM	1	6237436
				SCREW	3	1451097
			SCREW - #8-32 X .31 HEX HD T.F. - BLACK ACCESSORY NOT PRESENT		WHITENER	PLATE - MOTOR CHANNEL COVER
	SCREW	3				1451097
	SCREW - #8-32 X .31 HEX HD T.F. - BLACK		WHITENER	MOTOR AND PLATE ASSEMBLY - 200 RPM	1	6237436
				SCREW	3	1451097

TABLE 90. MOTOR POSITION USAGE - BRZ./MEX./U.S. (CONTINUED)

MOTOR POSITION	CONDIMENT OPTION		INGREDIENT	DESCRIPTION	QTY	PART NO.
	DUAL	SINGLE				
F			INSTANT TEA	MOTOR AND PLATE ASSEMBLY - 60 RPM	1	6237437
				SCREW	3	1451097
			SUGAR	MOTOR AND PLATE ASSEMBLY - 200 RPM	1	6237436
				SCREW	3	1451097
G			FREEZE DRIED DECAF	MOTOR AND PLATE ASSEMBLY - 200 RPM	1	6237436
				SCREW	3	1451097
			FRESH BREW DECAF	MOTOR AND PLATE ASSEMBLY - 200 RPM	1	6237438
				SCREW	3	1451097
H			FREEZE DRIED COFFEE	MOTOR AND PLATE ASSEMBLY - 200 RPM	1	6237436
				SCREW	3	1451097
			FRESH BREW COFFEE	MOTOR AND PLATE ASSEMBLY - 200 RPM	1	6237438
				SCREW	3	1451097

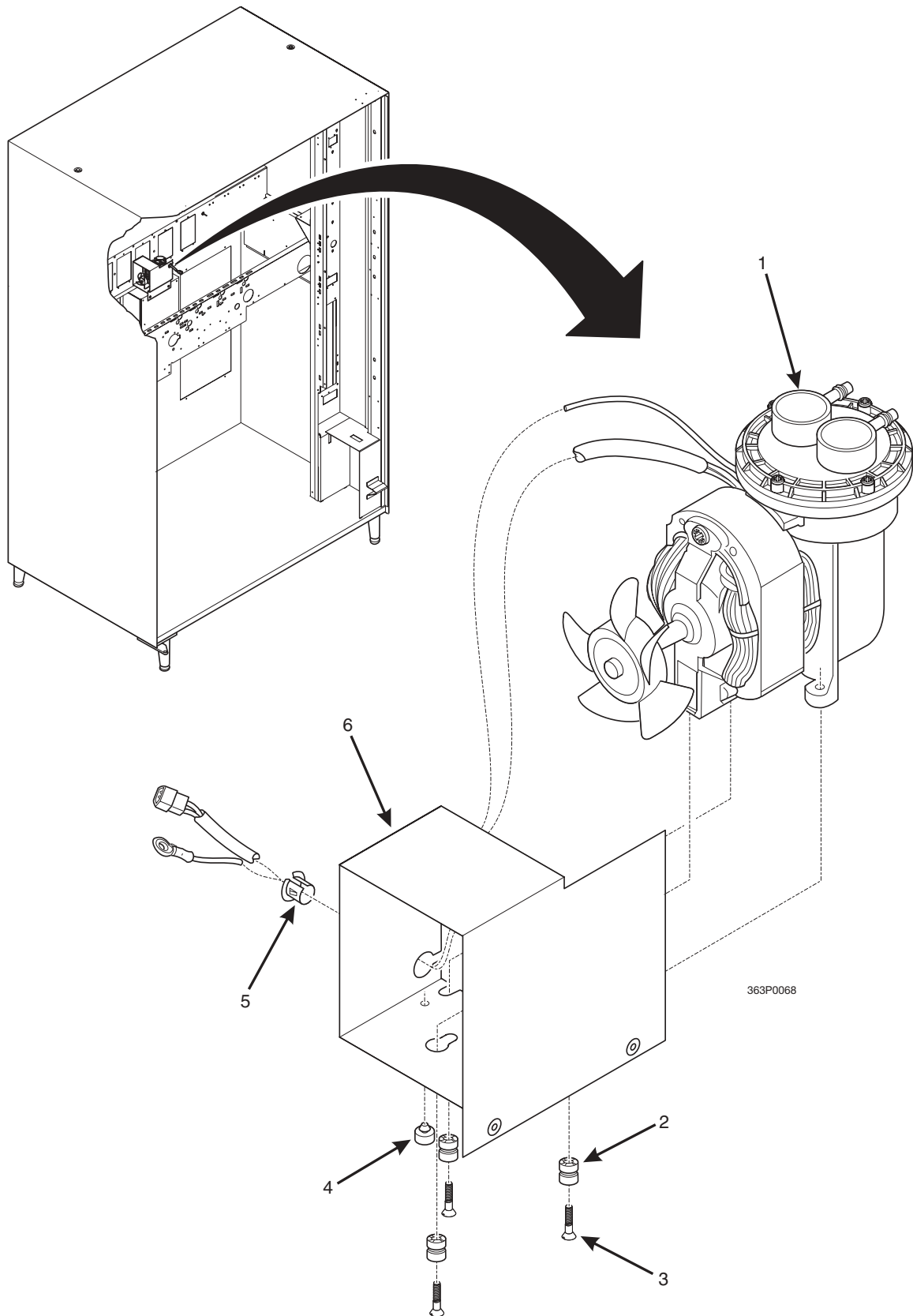


Figure 91. Air Compressor - 115 Volts

TABLE 91. AIR COMPRESSOR - 115 VOLTS

INDEX	PART NUMBER	DESCRIPTION	QTY.
-	6234357	AIR COMPRESSOR ASSEMBLY	OPT.
1	6234359	AIR COMPRESSOR - BREWER	1
2	6237205	VIBRATION ISOLATOR - .250 DIAMETER	3
3	6231178	SHOULDER SCREW	3
4	6231319	BUMPER - PLUG	1
5	3502097	BUSHING #OCB-500	1
6	6231210	SUPPORT - COMPRESSOR	1

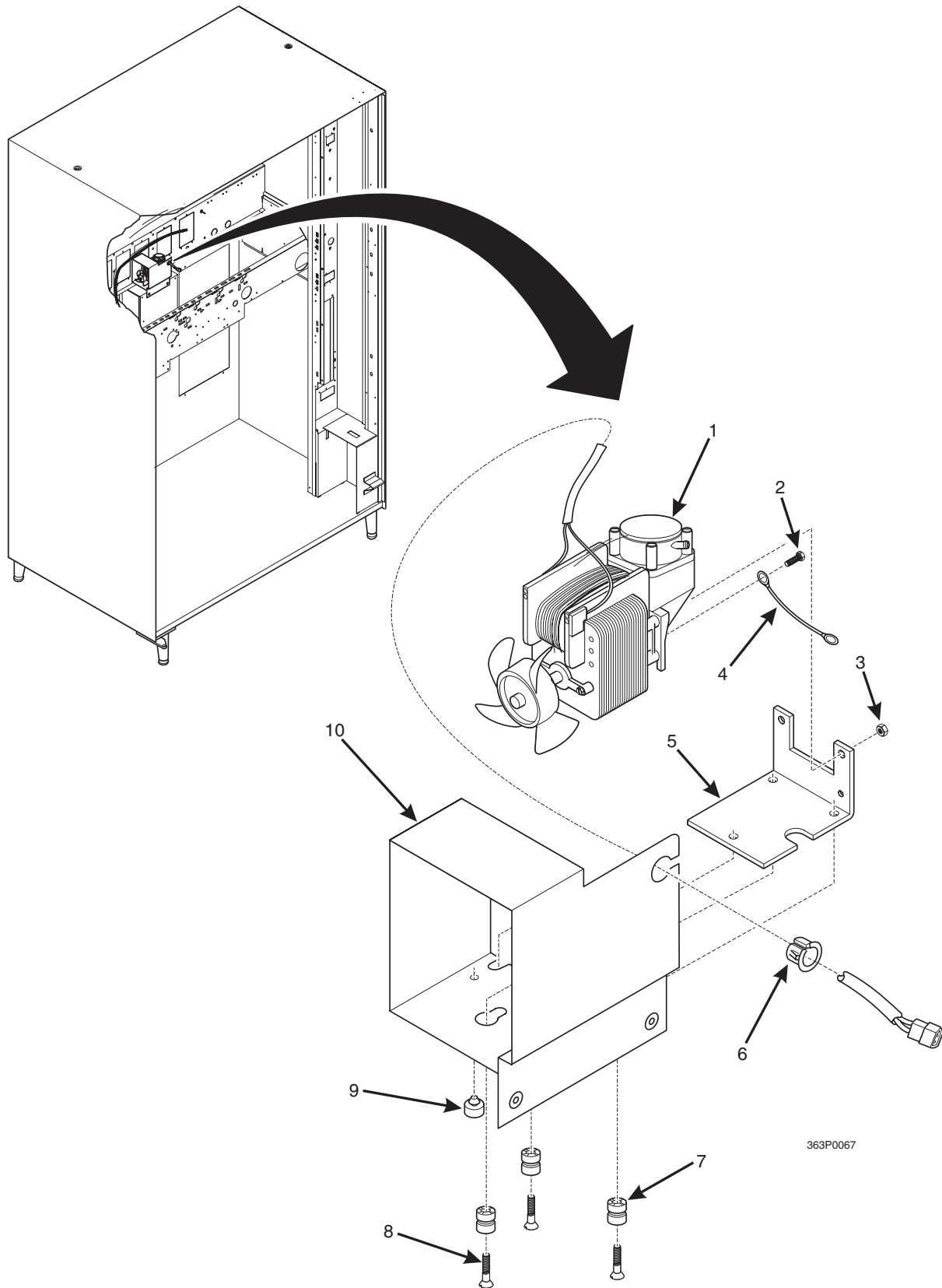


Figure 92. Air Compressor - 230 Volts

TABLE 92. AIR COMPRESSOR - 230 VOLTS

INDEX	PART NUMBER	DESCRIPTION	QTY.
-	6334000	AIR COMPRESSOR ASSEMBLY - 230 V	OPT.
1	6334010	AIR COMPRESSOR - BREWER - 230 V	1
2	3157060	SCREW - #8-32 X .31 HEX W/ HD.	1
3	9900081	NUT #8-32 KEPS ZINC PLATE	1
4	9984165	JUMPER - GROUND WIRE	1
5	6334009	BRACKET - AIR COMPRESSOR	1
6	3502097	BUSHING #OCB-500	1
7	6237205	VIBRATION ISOLATOR - .250 DIAMETER	3
8	6231178	SHOULDER SCREW	3
9	6231319	BUMPER-PLUG	1
10	6334008	COVER-AIR COMPRESSOR	1

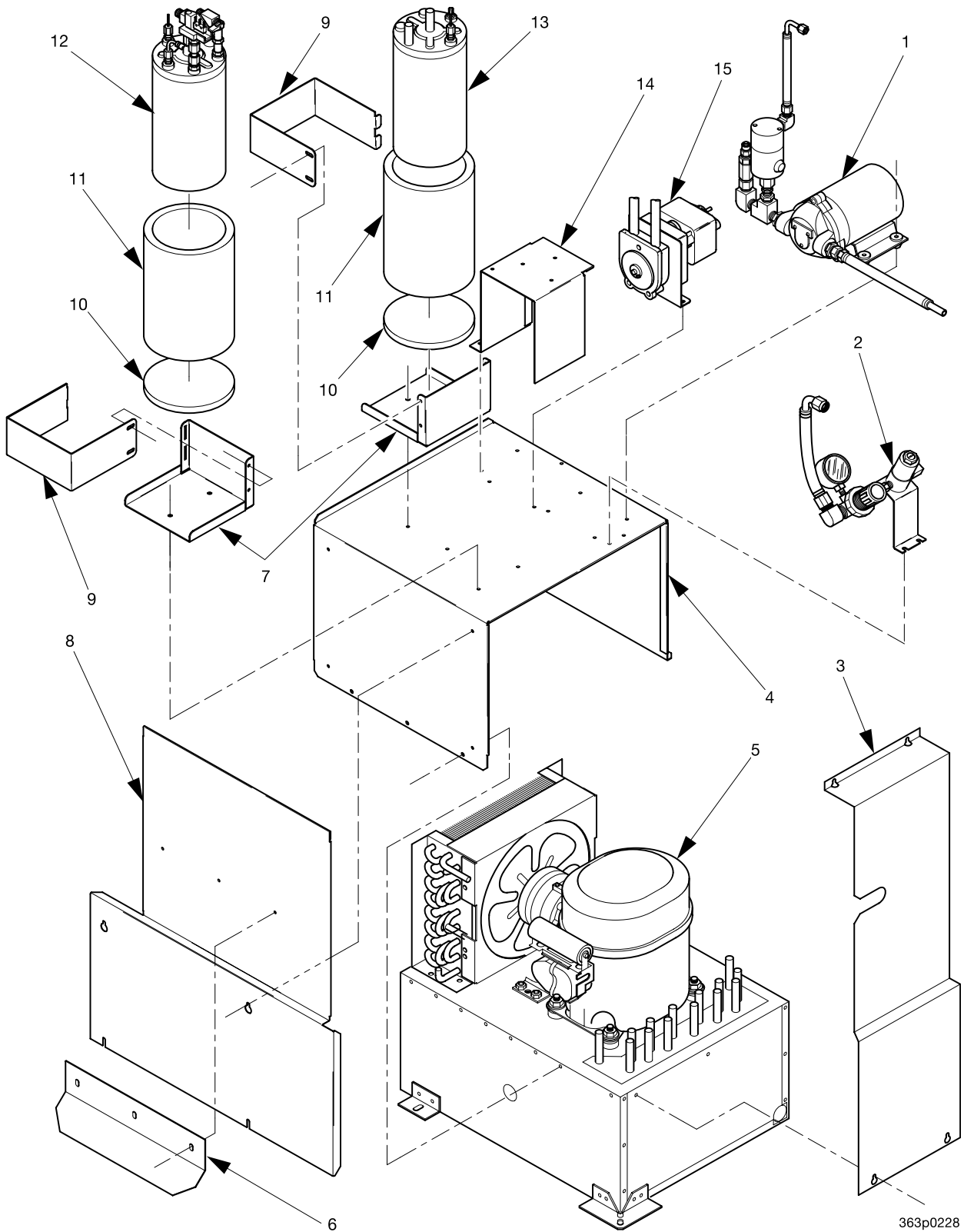
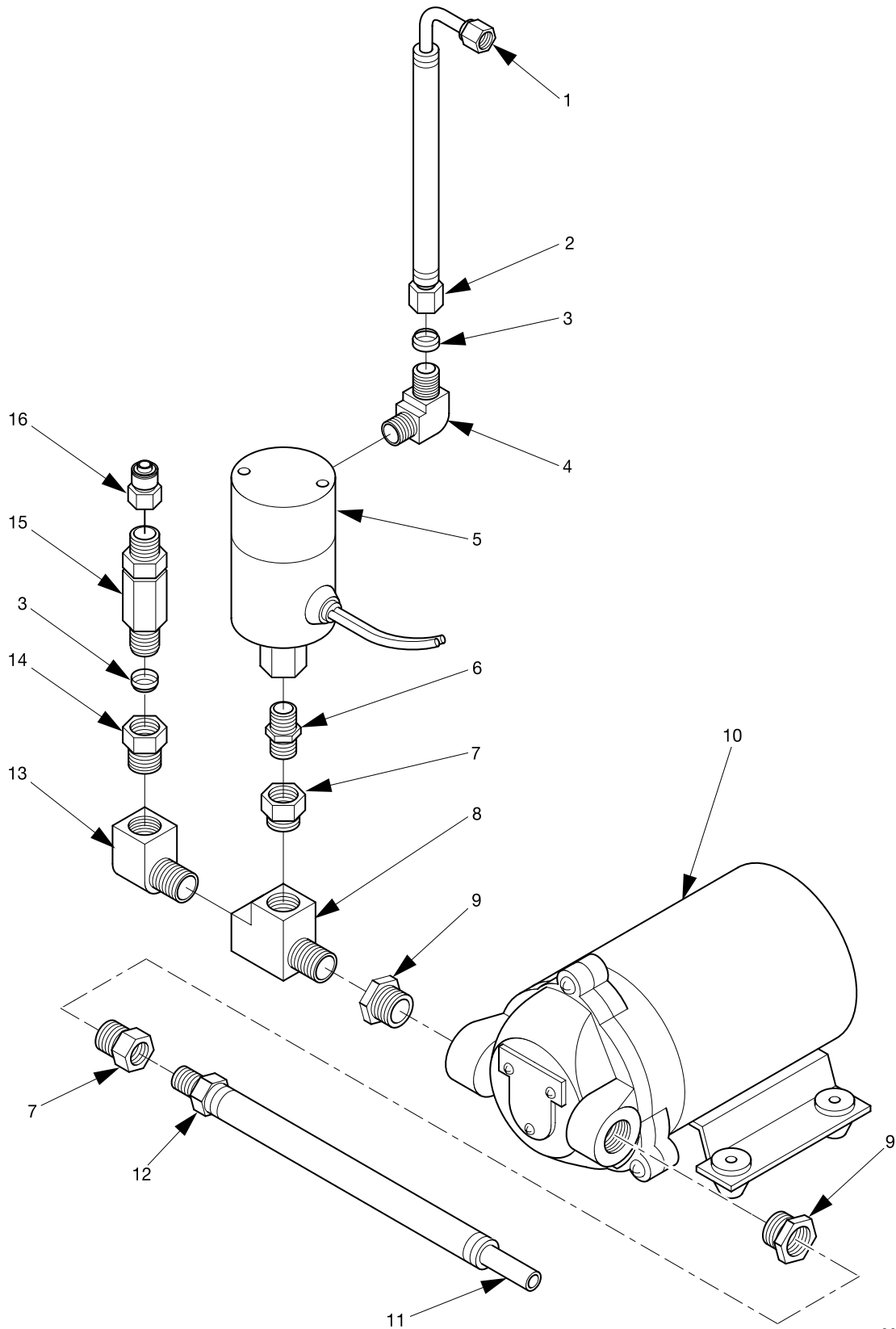


Figure 93. Cold Section - Miscellaneous Mounted Parts

Twin Drink Center Parts Manual

TABLE 93. COLD SECTION - MISCELLANEOUS MOUNTED PARTS

INDEX	PART NUMBER	DESCRIPTION	QTY.
1	3638116	PUMP & VALVE ASSEMBLY - CARBONATOR - 115V (SEE FIGURE 94 FOR DETAILS)	1
2	3638117	VALVE & REGULATOR ASSEMBLY - 115V (SEE FIGURE 97 FOR DETAILS)	1
3	3638075	COVER - FRONT - COLDPLATE	1
4	3638105	BRACKET - COLD PLATE MOUNTING	1
5	3638052	COLD PLATE ASSEMBLY - REFRIG. - DOM. (SEE FIGURE 95 FOR DETAILS)	1
6	3631113	DEFLECTOR - GROUNDS	1
7	3631163	SUPPORT - CARBONATOR	2
8	3638106	COVER - LEFT - COLDPLATE	1
9	3631164	BRACKET - CARBONATOR	2
10	3638024	INSULATION - CARBONATOR BOTTOM	1
11	3638023	INSULATION - CARBONATOR SHELL	1
12	3638115	CARBONATOR FINAL ASSEMBLY (SEE FIGURE 96 FOR DETAILS)	1
13	3638118	TANK FINAL ASSEMBLY - STORAGE	1
14	3638107	COVER - PUMP	1
15	3638119	PUMP ASSEMBLY	1



363p003c

Figure 94. Carbonator Pump Assembly

TABLE 94. CARBONATOR PUMP ASSEMBLY

INDEX	PART NUMBER	DESCRIPTION	QTY.
-	3638036	PUMP ASSEMBLY - CARBONATOR - 115V	1
1	6398112	ELBOW - 1/4FF X 1/4 BS - STAIN ST.	1
2	3167010	NUT - SWIVEL FOXX #05B01-117	1
3	3148178	WASHER - 1/4 SAE FLARE	2
4	3108073	BRASS ELBOW - PARKER #249F-4-2	1
5	3638123	VALVE ASSEMBLY - KIP 6X878-120V/60HZ2 WAY RECIRCULATING - 115V	1
	3638126	VALVE ASSEMBLY - U641025-1341-230/50S.S. BODY & FITTING, 10 WATT	
6	6154226	NIPPLE - 1/8 X 1 NPT, #122A.AANDERSON	1
7	4751087	BUSHING - PARKER #209P-4-2	2
8	3128317	STREET TEE 1/4 NPTF - PH#2225P-4	1
9	6408117	BUSHING - 1/4 X 3/8 - BRASS - 209P-6	2
10	3638022	PUMP - CARBONATOR - 115V - W/TERM.	1
11	3638029	FITTING - TUBE STEM/HOSE BARB	1
12	6108007	ADAPTOR COMPRESSOR HOSE # 125-HBL-4	2
13	3128303	90 STREET ELBOW 1/4 NPTF	1
14	3638112	FITTING - U5-4B,1/4 MNPT X 1/4 FLARE	1
15	6398066	VALVE - CHECK - SINGLE - #S470-44	1
16	6398065	ADAPTOR - 1/4 FF X 3/8 OD HOSE 250BX	1

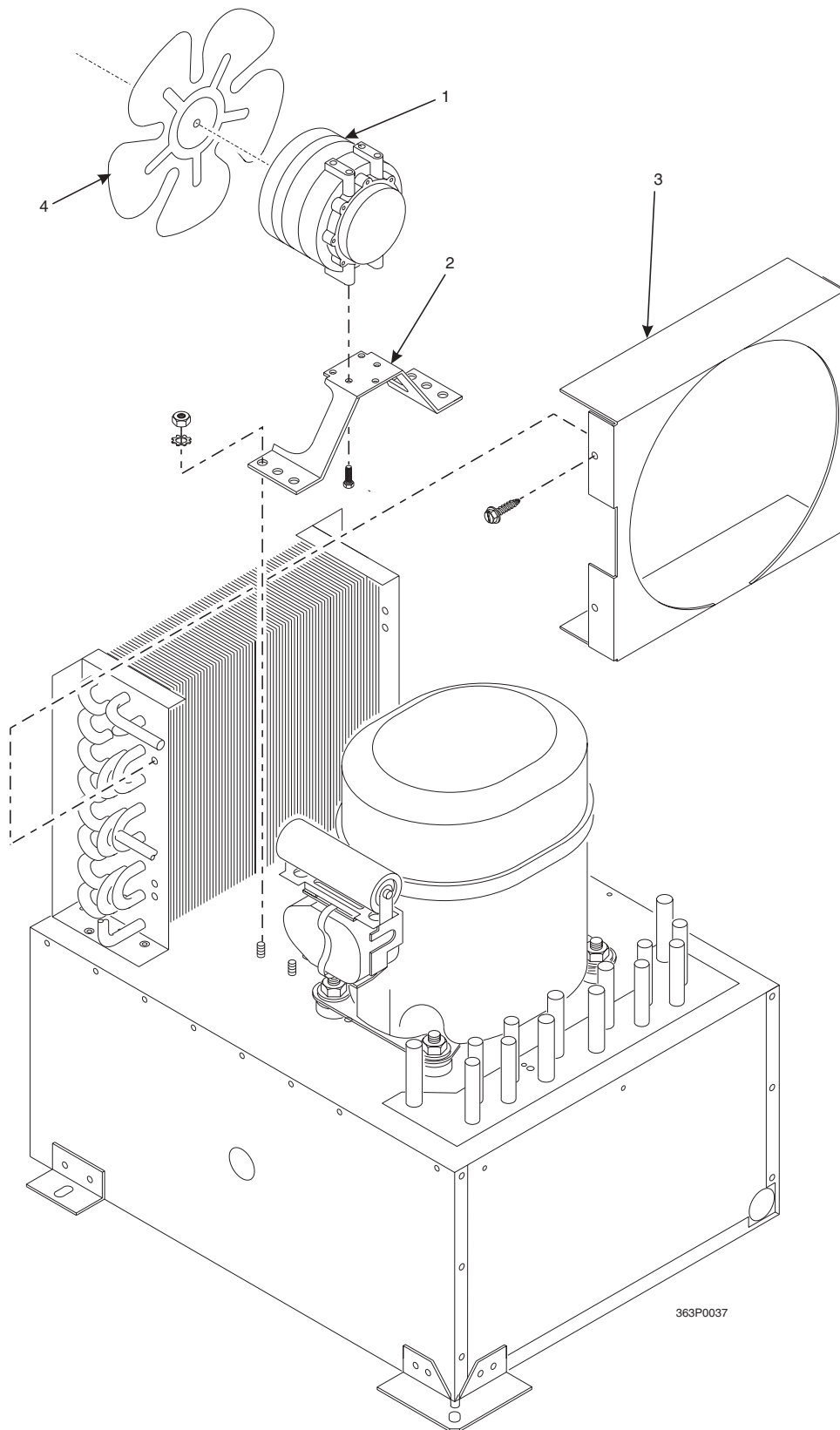


Figure 95. Cold Plate Assembly

TABLE 95. COLD PLATE ASSEMBLY

INDEX	PART NUMBER	DESCRIPTION	QTY.
-	3638052	COLD PLATE ASSEMBLY (AVAILABLE PARTS CONSIST OF THE FOLLOWING FOUR ITEMS)	1
1	4304092	MOTOR - CONDENSER FAN	1
2	4744009	BRACKET - CONDENSER MOTOR	1
3	4774111	SHROUD - CONDENSER FAN	1
4	4774027	BLADE - CONDENSER FAN	1

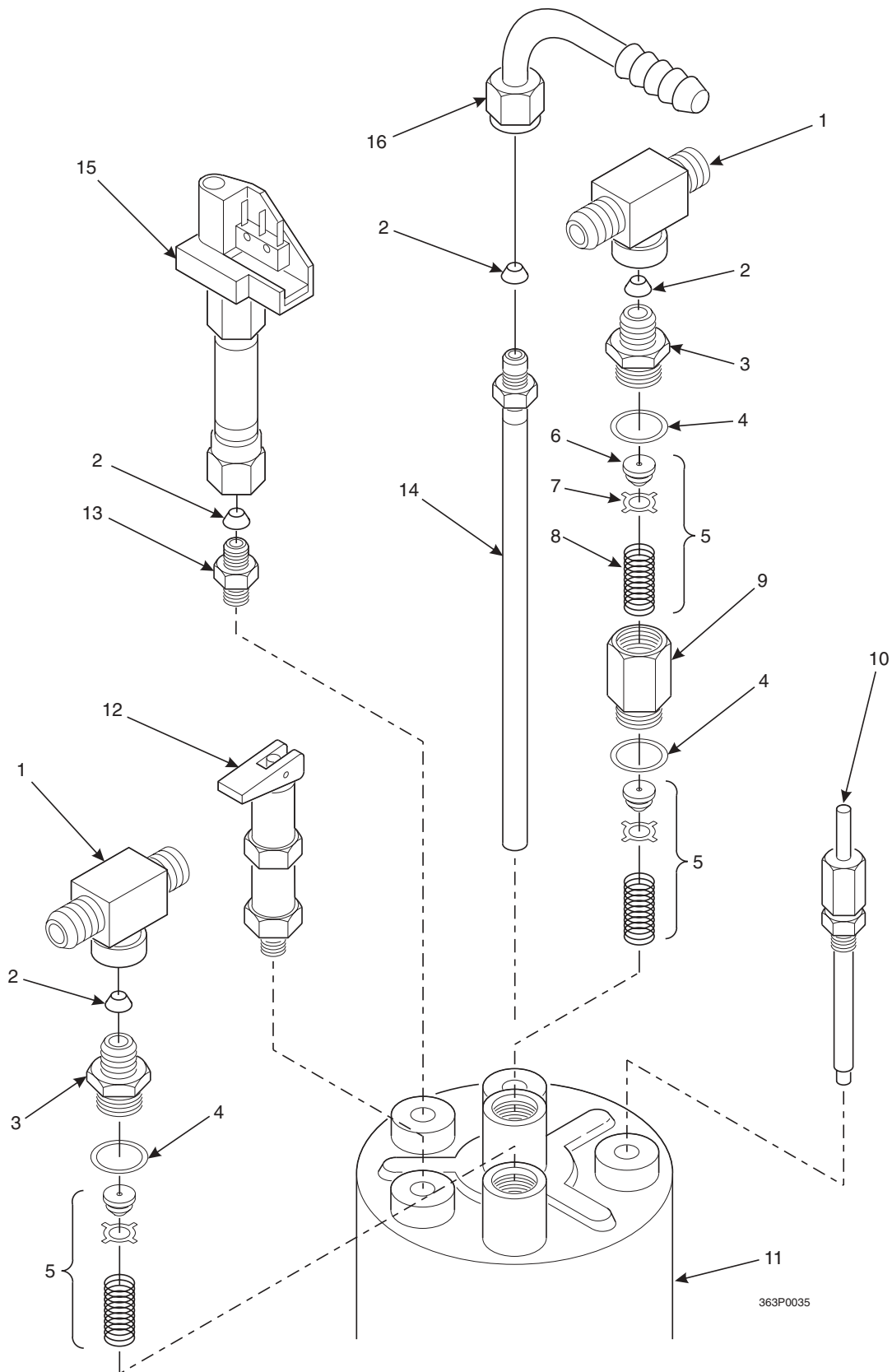
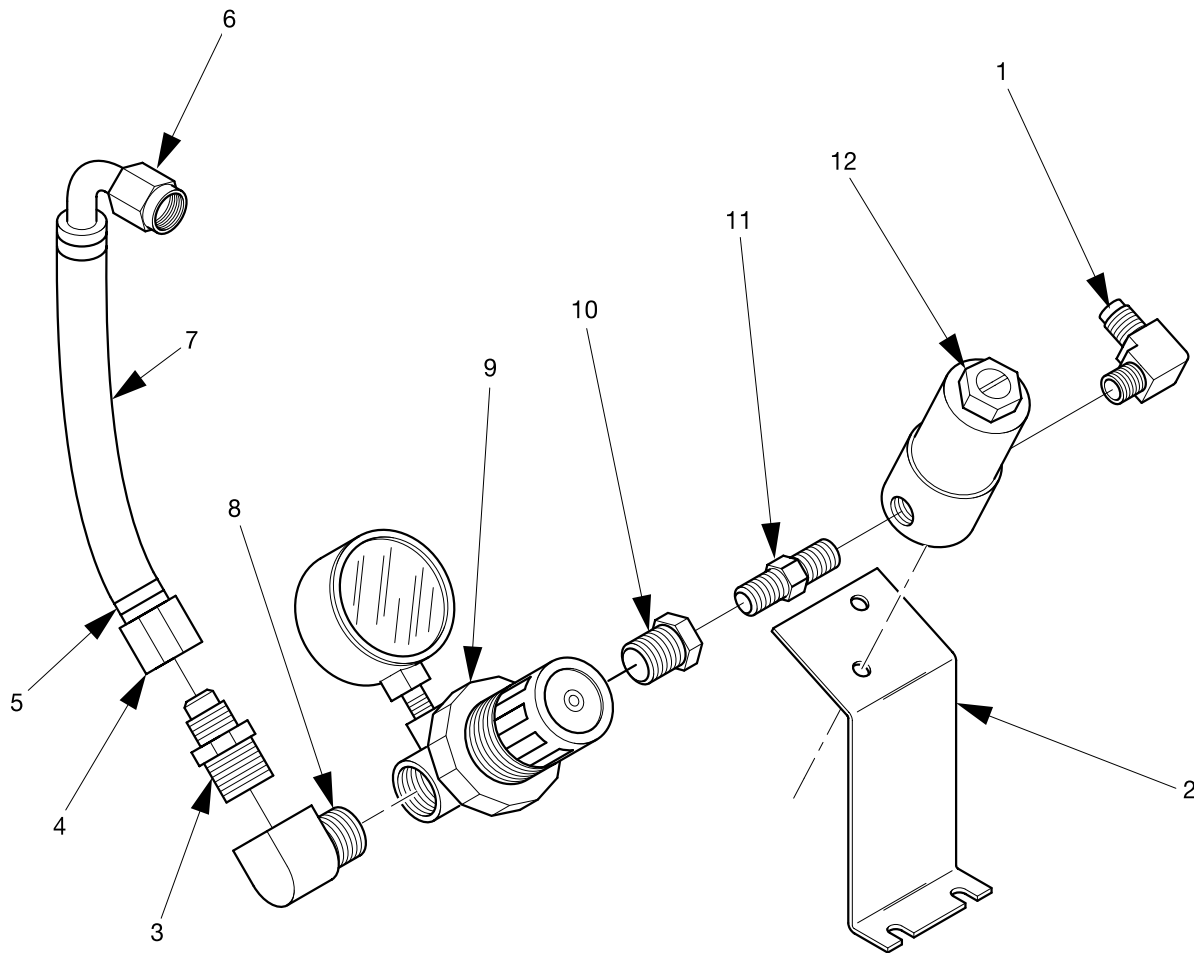


Figure 96. Carbonator Final Assembly

TABLE 96. CARBONATOR FINAL ASSEMBLY

INDEX	PART NUMBER	DESCRIPTION	QTY.
1	3167012	SWITCH - CO2 - TEE - MUELLER #A633	2
2	3148178	WASHER - 1/4 SAE FLARE	4
3	3108022	CONNECTOR - JET - CARBONATOR	2
4	3108038	O RING 111-2347	3
5	3148051	SEAL ASSEMBLY - CHECK VALVE OUTLET (INCLUDES ITEM NUMBERS 6 THROUGH 8)	3
6	3148050	SEAT - CHECK VALVE OUTLET	1
7	3148040	SPIDER - CHECK VALVE OUTLET	1
8	3148041	SPRING - CHECK VALVE OUTLET	1
9	3108163	JET - CARBONATOR	1
10	6398046	ELECTRODE ASSEMBLY - LONG	1
11	3638033	BODY & TOP ASSEMBLY - CARBONATOR	1
12	6398049	VALVE - SAFETY RELIEF - S425-2-1	1
13	3108013	UNION - HALF	1
14	3638035	DIP TUBE ASSEMBLY - CARBONATOR	1
15	6398102	PRESSURE SWITCH ASSEMBLY (NOT PART OF 3638032 - SHOWN HERE FOR CLARITY)	1
16	6398112	ELBOW - 1/4 FF X 1/4 BS - STAIN S	1



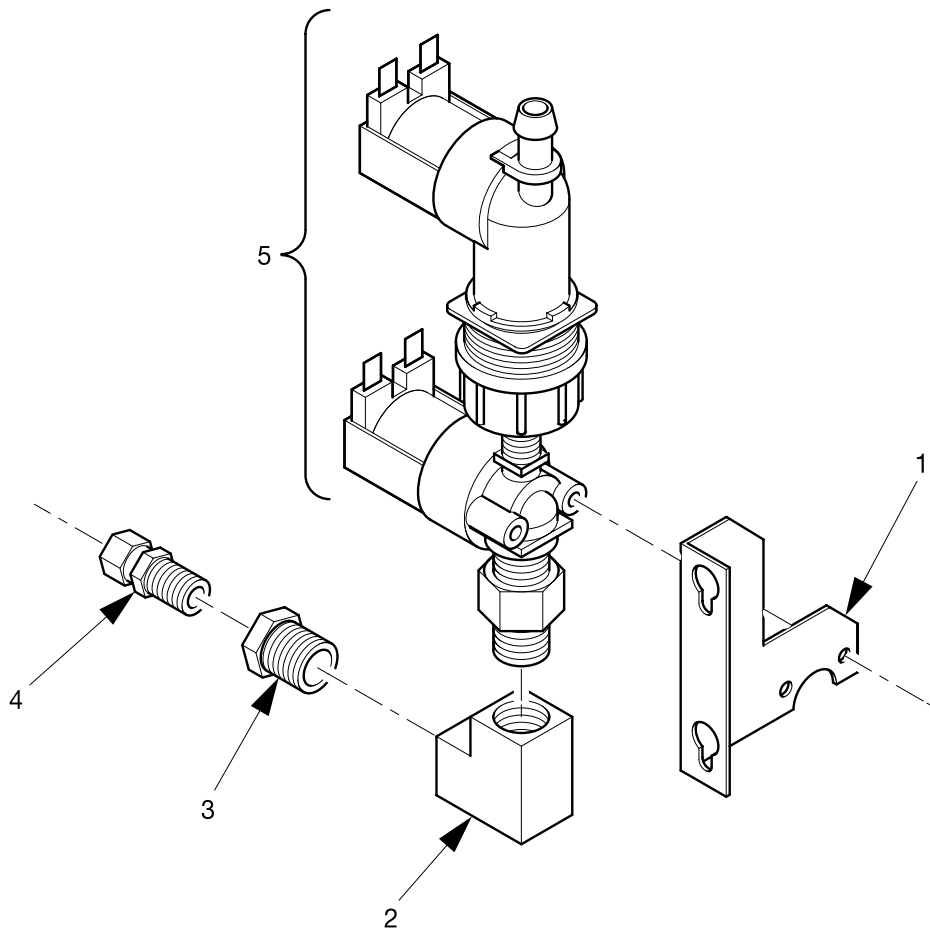
363p0229

Figure 97. Valve and Regulator Assembly

Twin Drink Center Parts Manual

TABLE 97. VALVE AND REGULATOR ASSEMBLY

INDEX	PART NUMBER	DESCRIPTION	QTY.
-	3638117	VALVE & REGULATOR ASSEMBLY - 115V	1
	3638127	VALVE & REGULATOR ASSEMBLY - 230V	
1	3108073	BRASS ELBOW - PARKER #249F-4-2	1
2	3637019	BRACKET - SOLENOID VALVE - CO2	1
3	3128151	CONNECTOR - MALE COUPLINGS 48CC	1
4	3167010	NUT - SWIVEL FOXX #05B01-117	1
5	3167103	CLAMP - OETIKER 12.3	1
6	6398112	ELBOW - 1/4FF X 1/4 BS-STAIN ST.	1
7	3638097	TUBING - PLASTIC - .265 ID X .465	1
8	3128303	90 STREET ELBOW 1/4 NPTF	1
9	3167124	SECONDARY REGULTOR & GAUGE ASSEMBLY	1
10	4751087	BUSHING - PARKER #209P-4-2	1
11	6154226	NIPPLE - 1/8 X 1 NPT, #122A.A	1
12	3167025	VALVE - SOLENOID - CO2 SUPPLY - 115 V	1
	3638069	VALVE - SOLENOID - CO2 SUPPLY - 230 V	

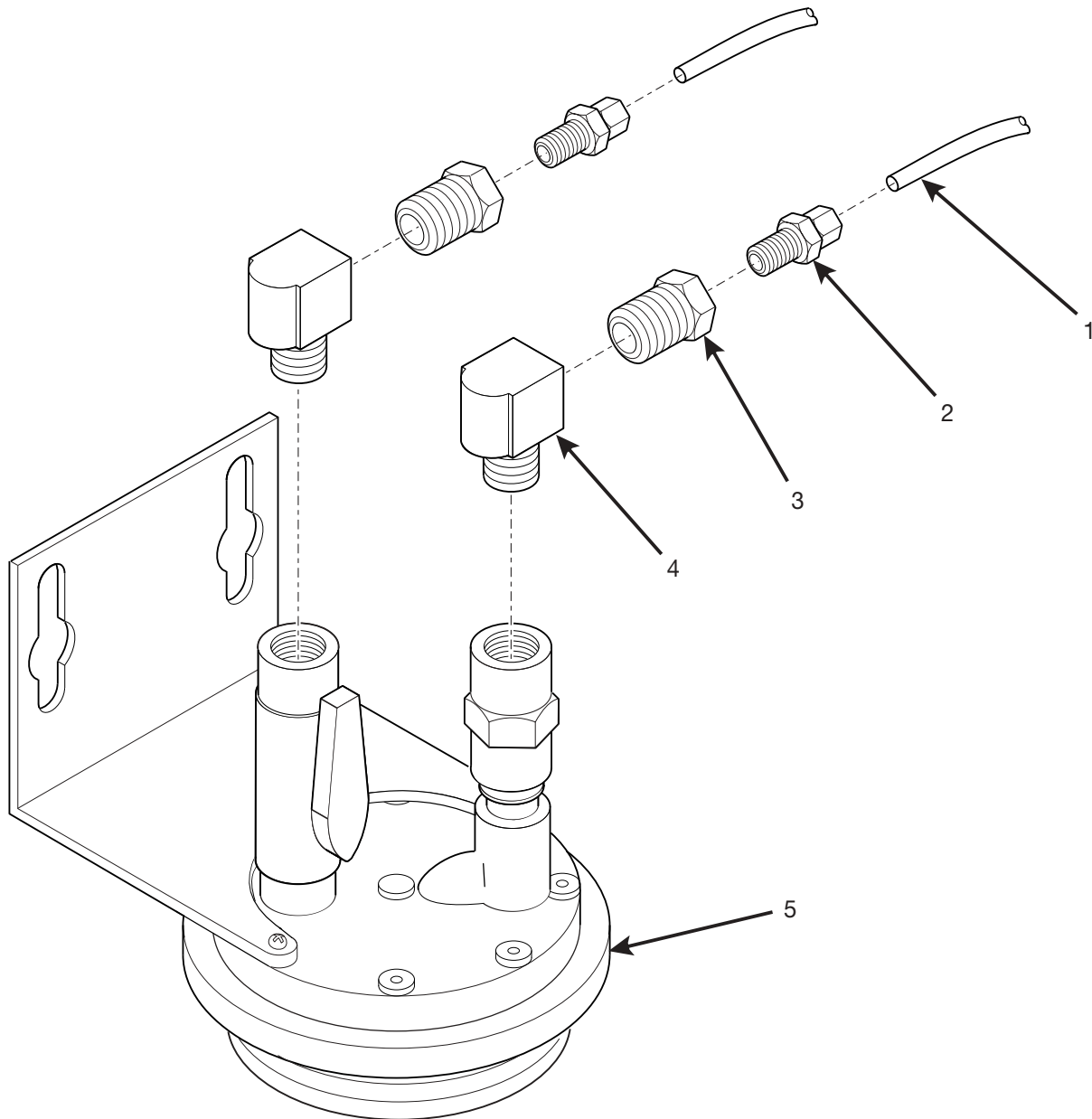


363p0114

Figure 98. Single Inlet Valve Assembly

TABLE 98. SINGLE INLET VALVE ASSEMBLY

INDEX	PART NUMBER	DESCRIPTION	QTY.
1	3631066	BRACKET - DUAL INLET VALVE MOUNTING	1
2	3158061	VALVE ASSEMBLY - WATER INLET	2
3	6508103	STREET ELBOW 3/8 NPTF X 3/8 NP	2
4	3618121	TEE - 3/8 - BRASS COUPLINGS #101E	1
5	6408117	BUSHING - 1/4X3/8 - BRASS - 209P-6-4	1
6	6408119	MALE CONNECTOR - BRASS #4-4-FBI2-B	1

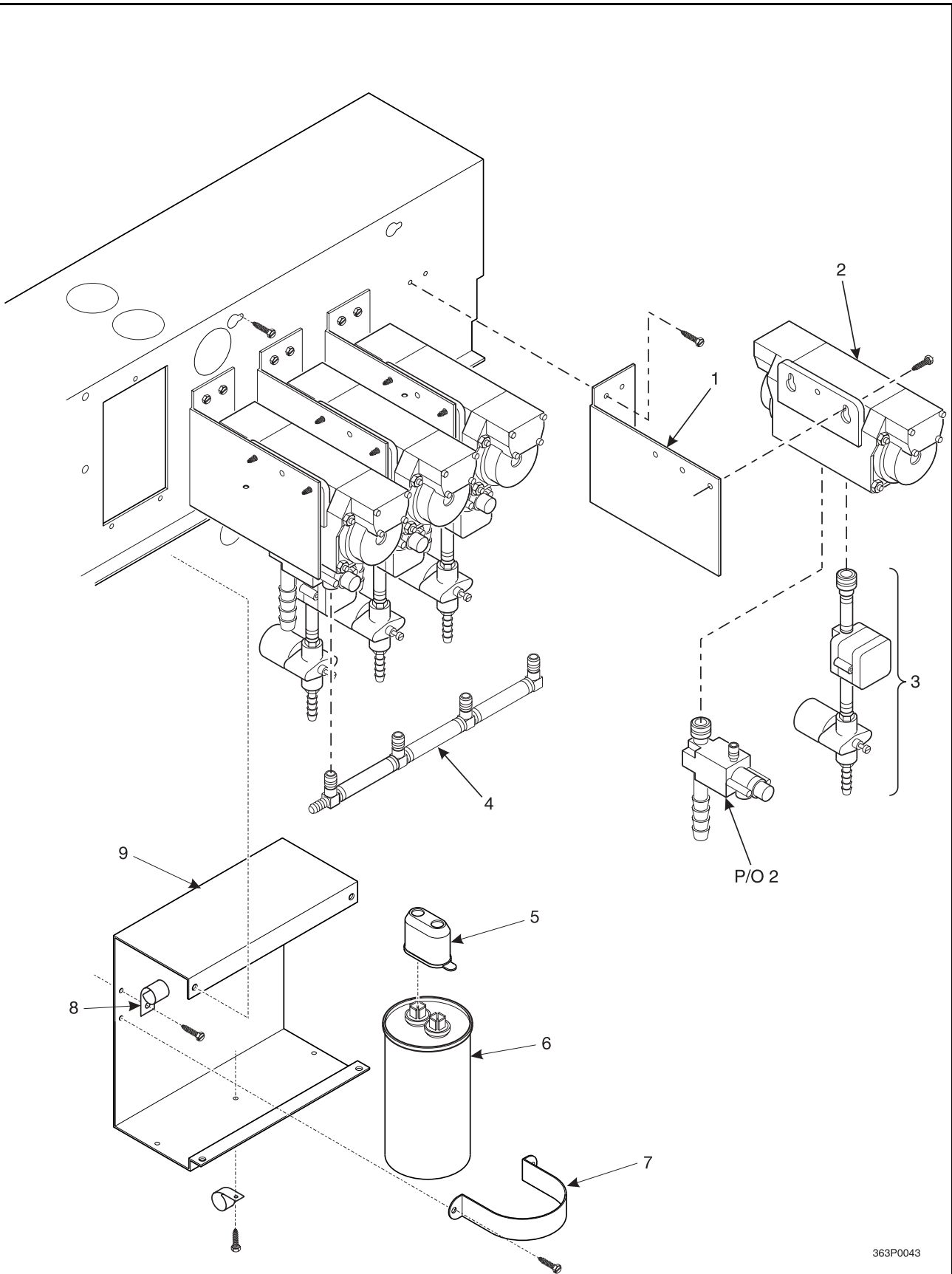


363P0023

Figure 99. Water Supply - With Hydrolife Water Filter Option

TABLE 99. WATER SUPPLY - WITH HYDROLIFE WATER FILTER OPTION

INDEX	PART NUMBER	DESCRIPTION	QTY.
1	9082699	COPPER TUBING - .250 OD X .028 WALL	-
2	6408119	MALE CONNECTOR - BRASS #4-4-FBI2-B	2
3	6408117	BUSHING - 1/4 X 3/8 - BRASS - 209P-6-4	2
4	6508103	STREET ELBOW - ANDERSON #116A-C 3/8 NPTF X 3/8 NPTF	2
5	6338027	HEAD - BRACKET ASSEMBLY - HLV192-G6710 HYDRO LIFE, 1CS=18ASSY	1



363P0043

Figure 100. Pump and Bracket Assembly

TABLE 100. PUMP AND BRACKET ASSEMBLY

INDEX	PART NUMBER	DESCRIPTION	QTY.
1	3167101	BRACKET - MOUNTING - SYRUP PUMP	4
2	3167029	PUMP ASSEMBLY - SINGLE - ELBOW (SHOWN)	1
	3167006	PUMP ASSEMBLY - SINGLE - TEE	3
3	3167111	PRODUCT OUTLET ASSEMBLY - BOTTOM PUMPS	4
4	3638068	CO2 MANIFOLD - 4 PUMPS	1
5	3638110	BOOT - PROTECTIVE - CAPACITOR	2
6	3638108	CAPACITOR - 120 μ F - 240 VAC	2
7	3638109	BRACKET - CAPACITOR	2
8	4305043	HARNESS CLIP - 1.00	1
9	3631145	BRACKET - CAPACITOR MOUNTING	1

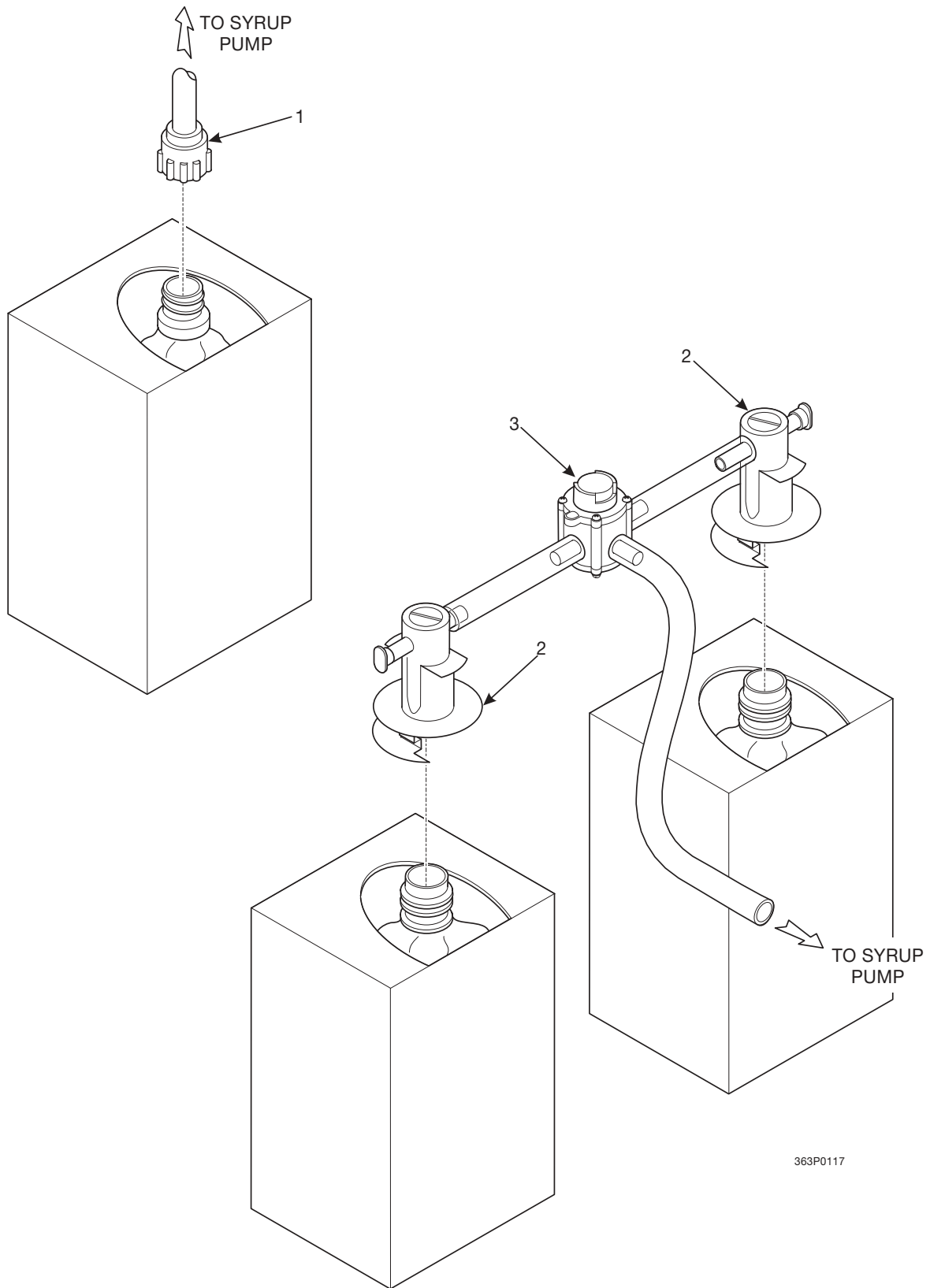
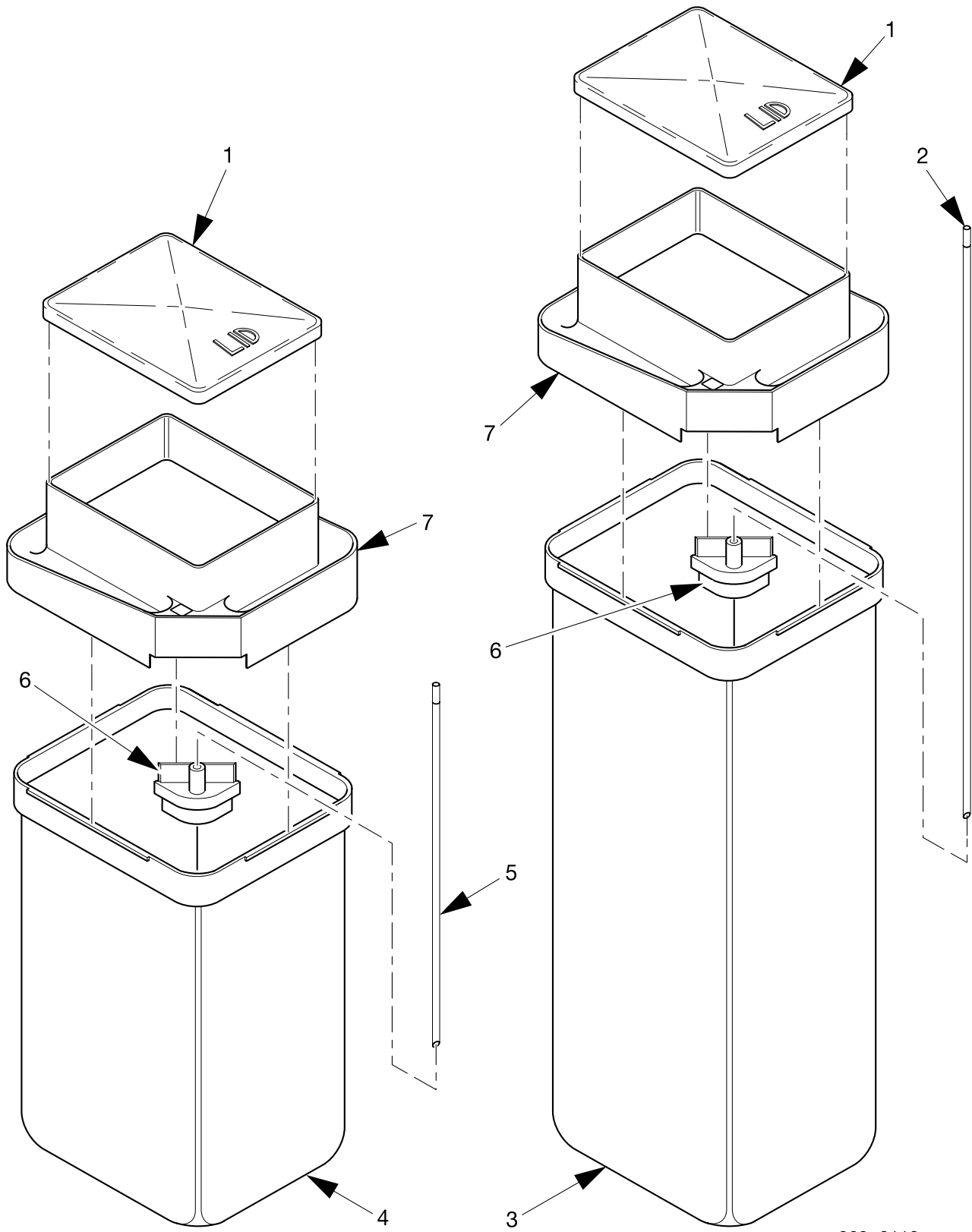


Figure 101. Bag-In-Box Connectors

Twin Drink Center Parts Manual

TABLE 101. BAG-IN-BOX CONNECTORS

INDEX	PART NUMBER	DESCRIPTION	QTY.
1	3167123	FITTING - BIB - COKE - # P37-SBB-KHN TUTHILL/HANSEN, 3/8"CONNECTION	-
2	3167151	FITTING - LIQUID BOX - QC\D, FOXX # 15F01-119,022396	1
3	3167122	VALVE - TRANSFER - FLOJET # 1500-031 BOX=12, CASE=144	1



363p0118

Figure 102. Syrup Tank Components

TABLE 102. SYRUP TANK COMPONENTS

INDEX	PART NUMBER	DESCRIPTION	QTY.
1	3127102	LID - SYRUP TANK COVER	4
2	3127109	DIP TUBE - SYRUP TANK	1
3	3127100	SYRUP TANK	1
4	3607111	TANK - SYRUP - 3 1/2 GAL	3
5	3607112	DIP TUBE - SYRUP	3
6	3127107	BRACKET - DIP TUBE - SYRUP TANK	4
7	3127101	COVER - SYRUP TANK	4

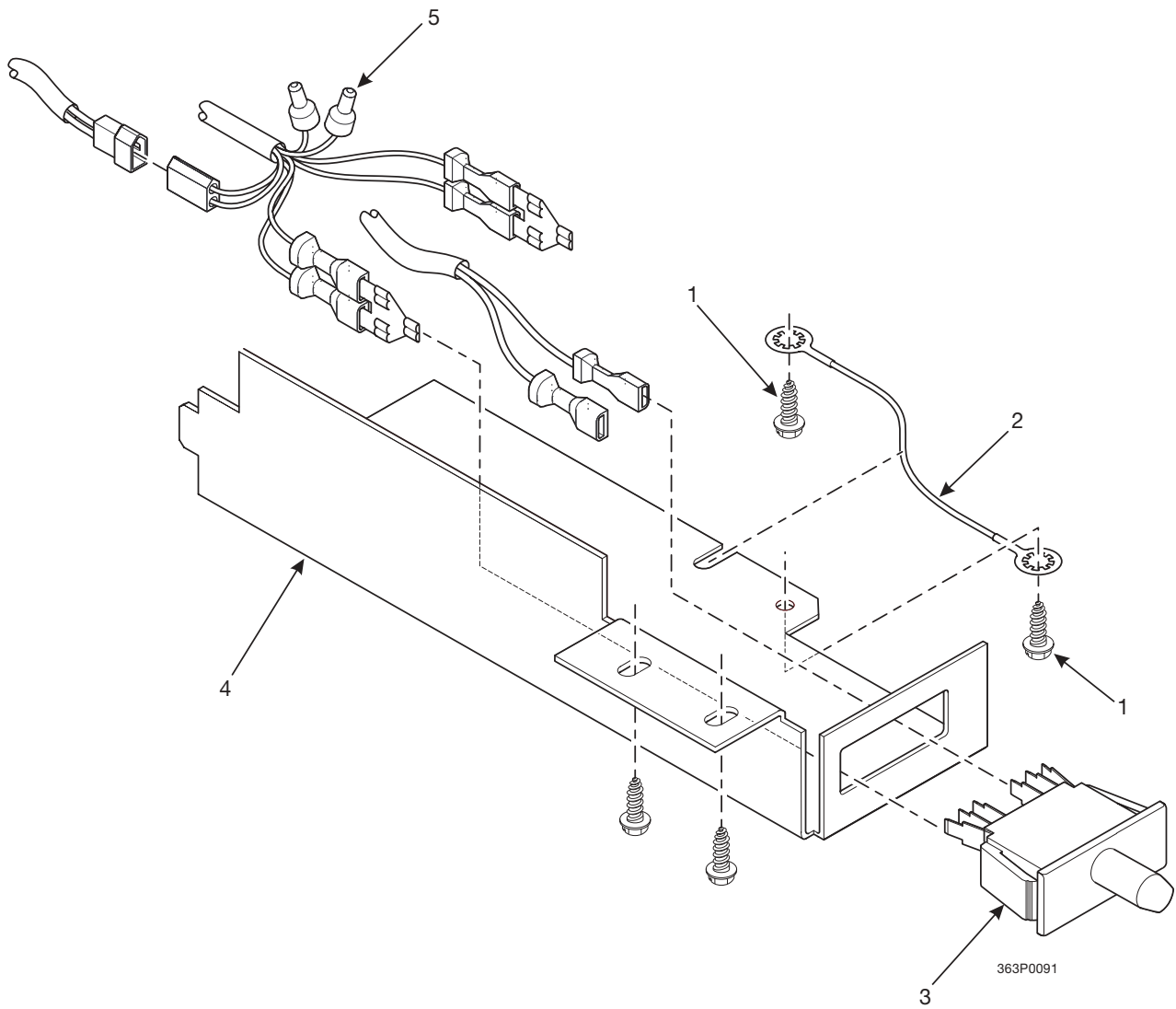


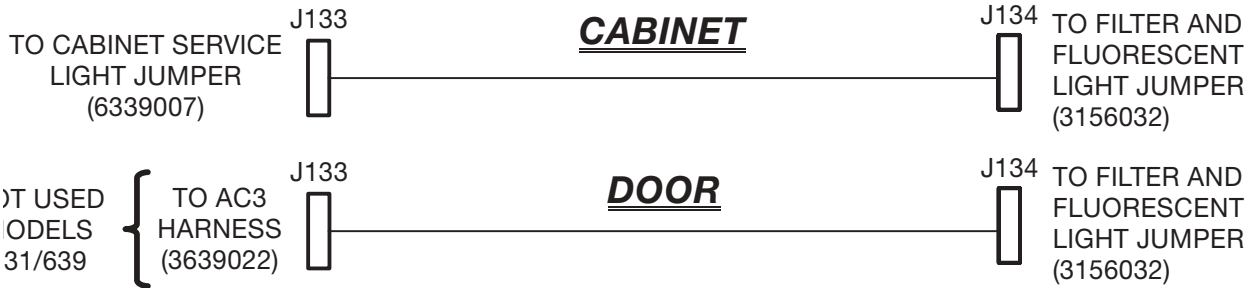
Figure 103. Interlock Switch and Bracket

TABLE 103. INTERLOCK SWITCH AND BRACKET

INDEX	PART NUMBER	DESCRIPTION	
1	3157060	SCREW - #8-32 X .31 HEX W/ HD.	-
2	9984165	JUMPER - GROUND WIRE	1
3	2366135	SWITCH - INTERLOCK - DOMESTIC	1
	1211141	SWITCH - INTERLOCK - INTERNATIONAL	
4	1571021	BRACKET - SWITCH INTERLOCK	1
5	1579010	JUMPER - INTERLOCK - DOMESTIC	1
	1579011	JUMPER - INTERLOCK - INTERNATIONAL	

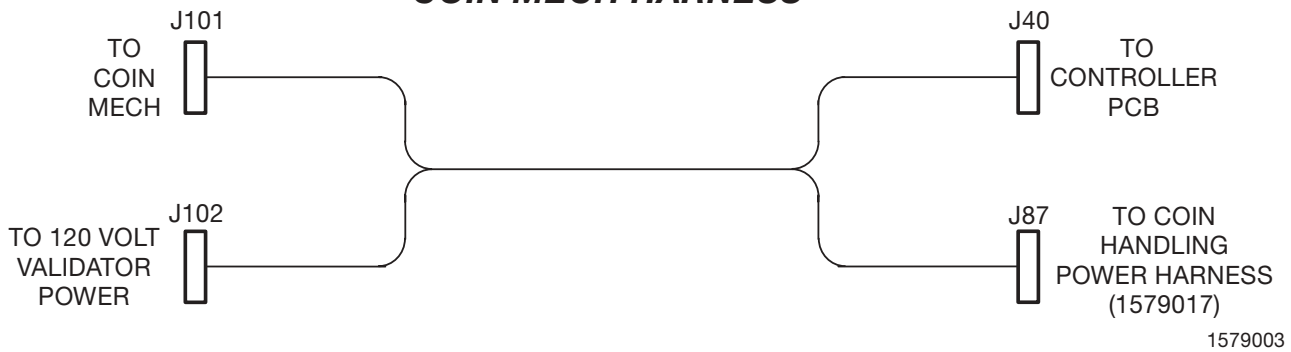
1451124

SUPPRESSION NETWORK ASSEMBLY



1579003

COIN MECH HARNESS



1579005

MARS PULSE VALIDATOR HARNESS

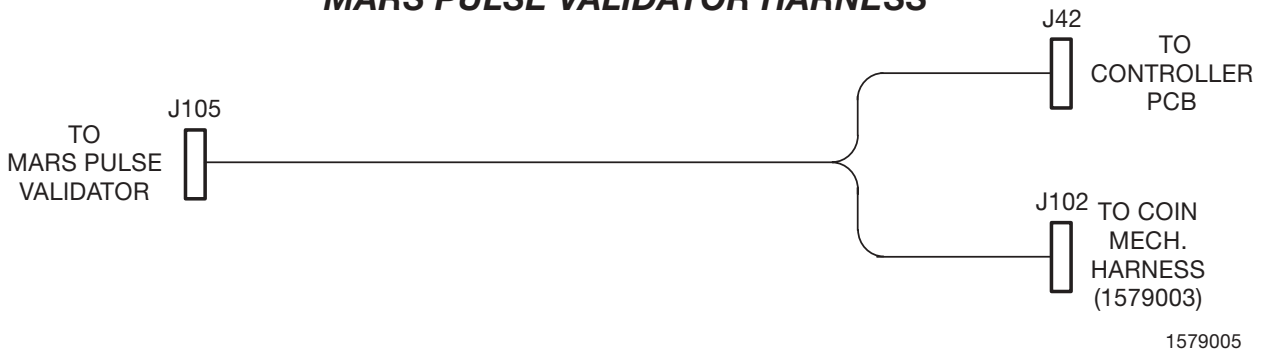


Figure 104. Wiring Harnesses (Part 1 of 16)

1579006

MAKA PULSE VALIDATOR HARNESS



1579006

1579013

HARNESS - POWER PANEL



1579017

HARNESS - COIN HANDLING POWER



Figure 104. Wiring Harnesses (Part 2 of 16)

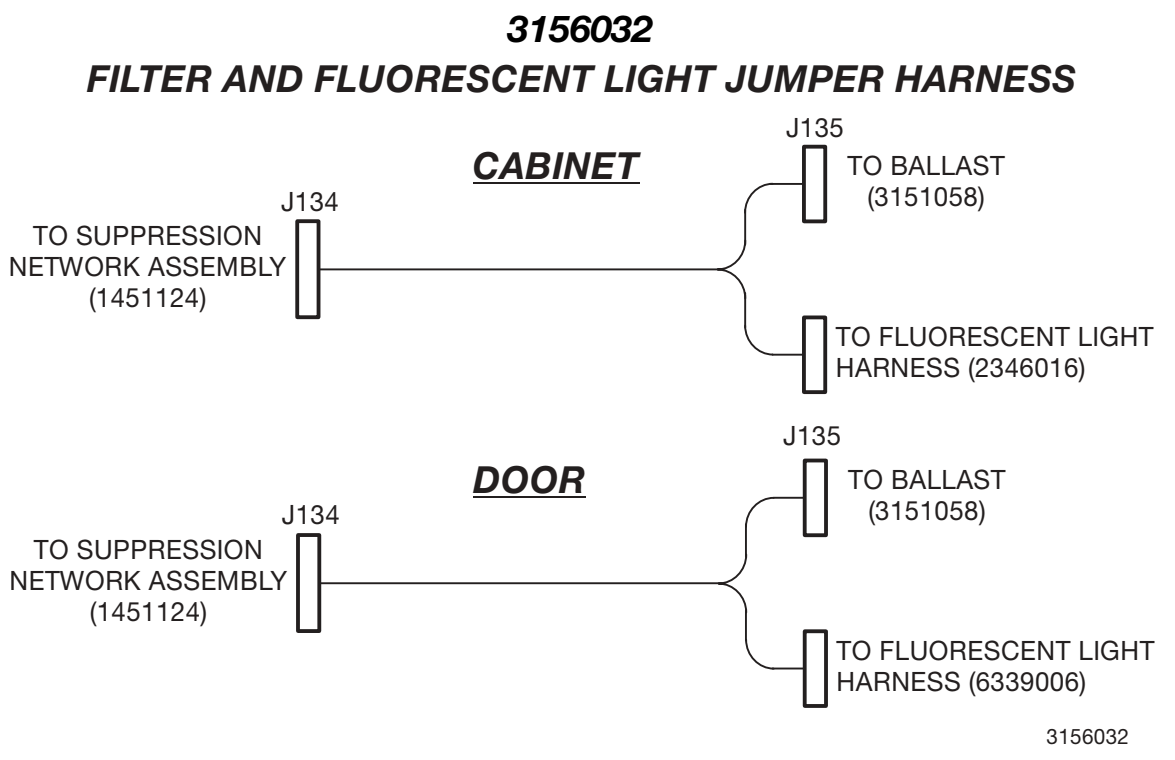
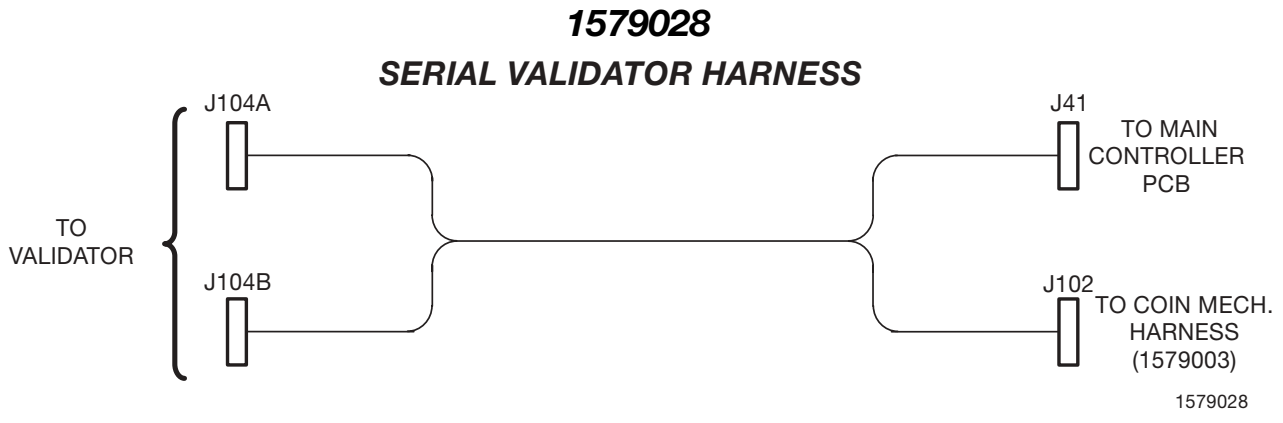
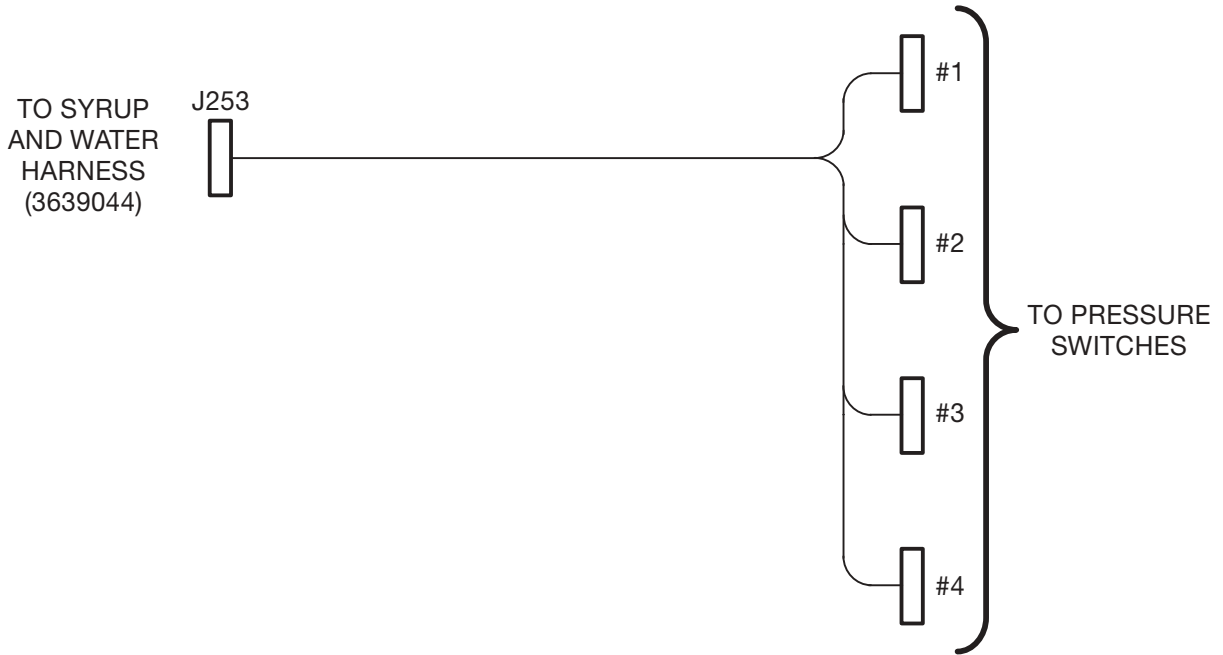


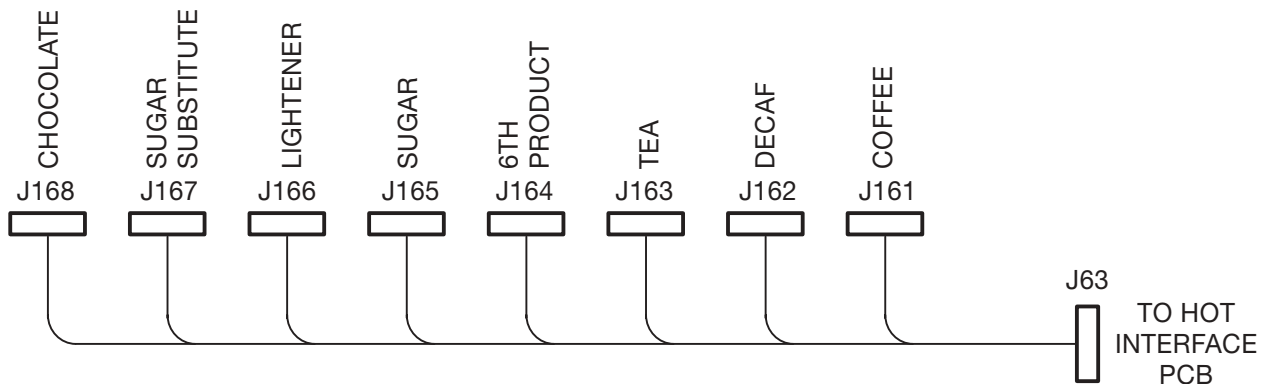
Figure 104. Wiring Harnesses (Part 3 of 16)

3169005
EMPTY SWITCHES HARNESS



3169005

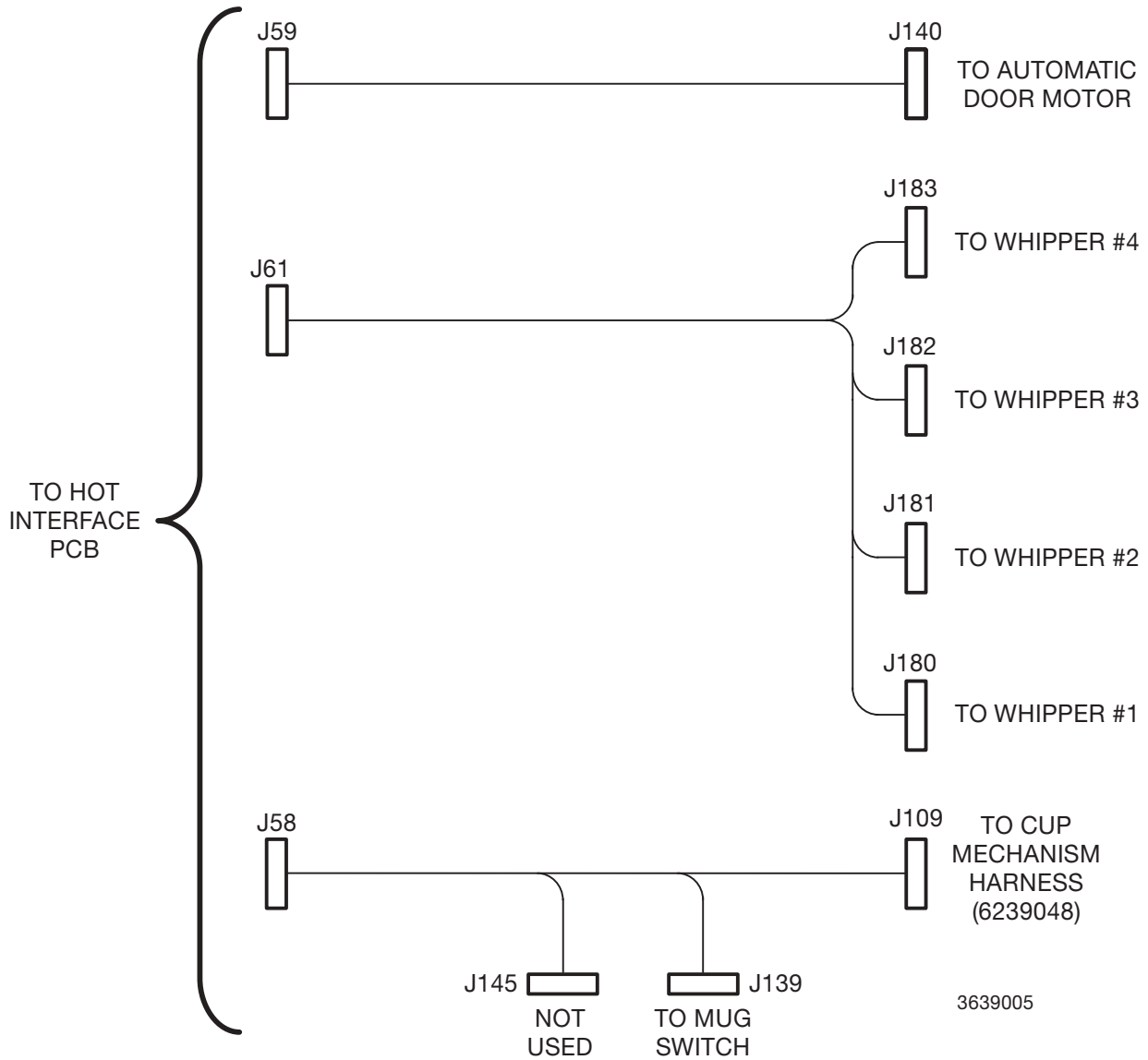
3639001
HARNESS - AUGERS



3639001

Figure 104. Wiring Harnesses (Part 4 of 16)

3639005
DC CABINET HARNESS



3639008
CUP MECHANISM INTERFACE HARNESS

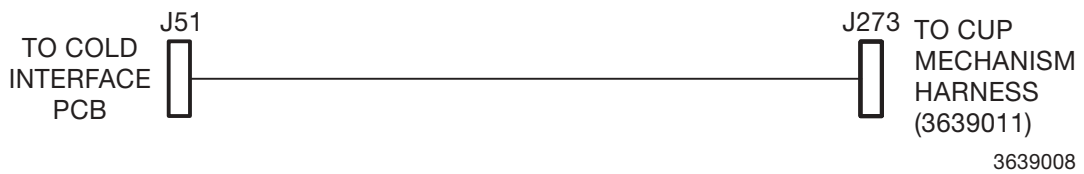


Figure 104. Wiring Harnesses (Part 5 of 16)

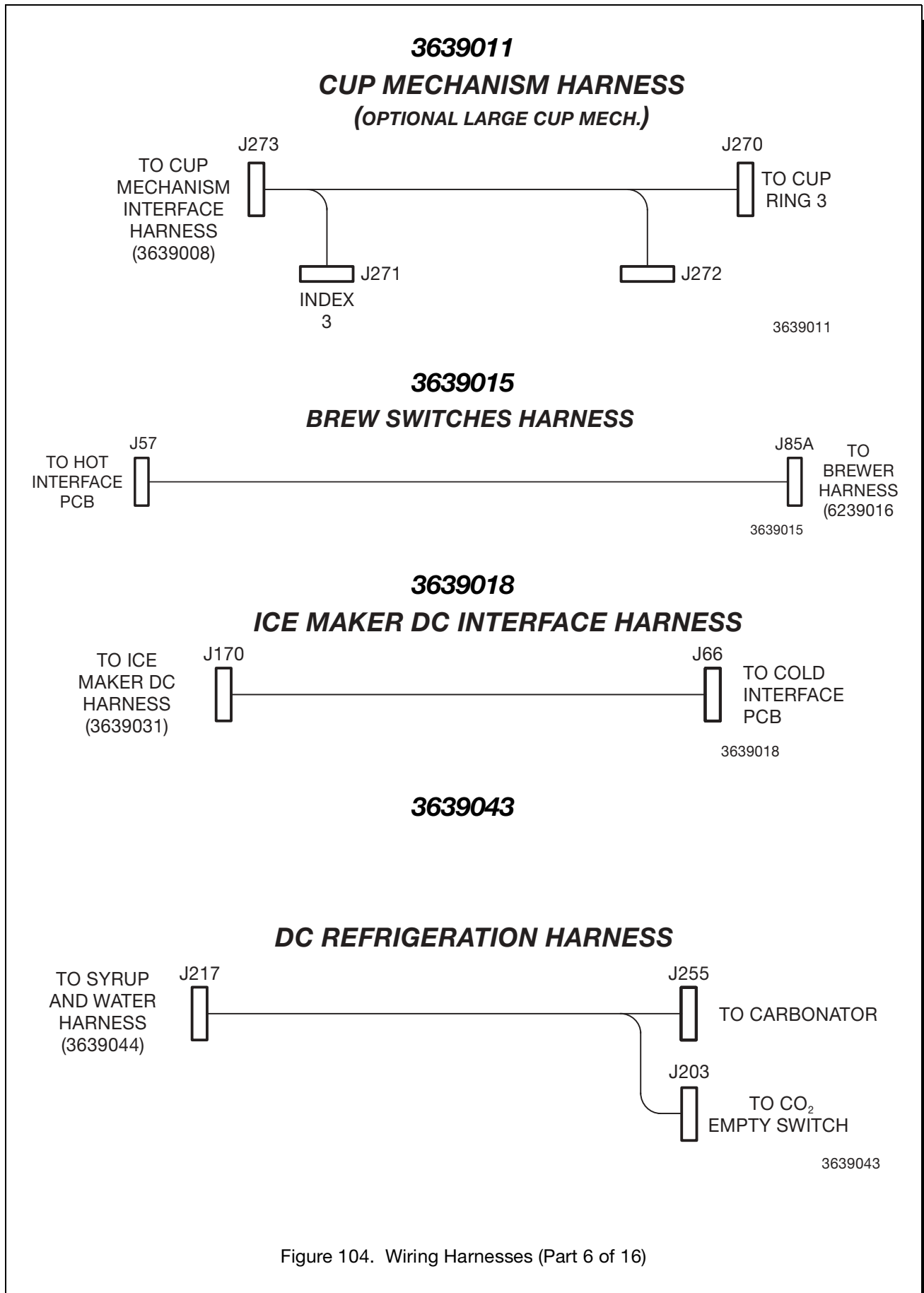
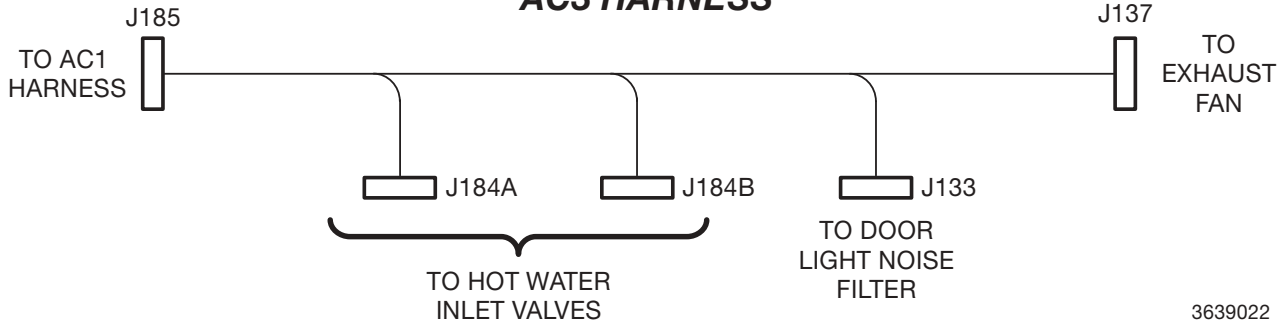


Figure 104. Wiring Harnesses (Part 6 of 16)

3639022

AC3 HARNESS



3639029

VALVES AND HEATER HARNESS

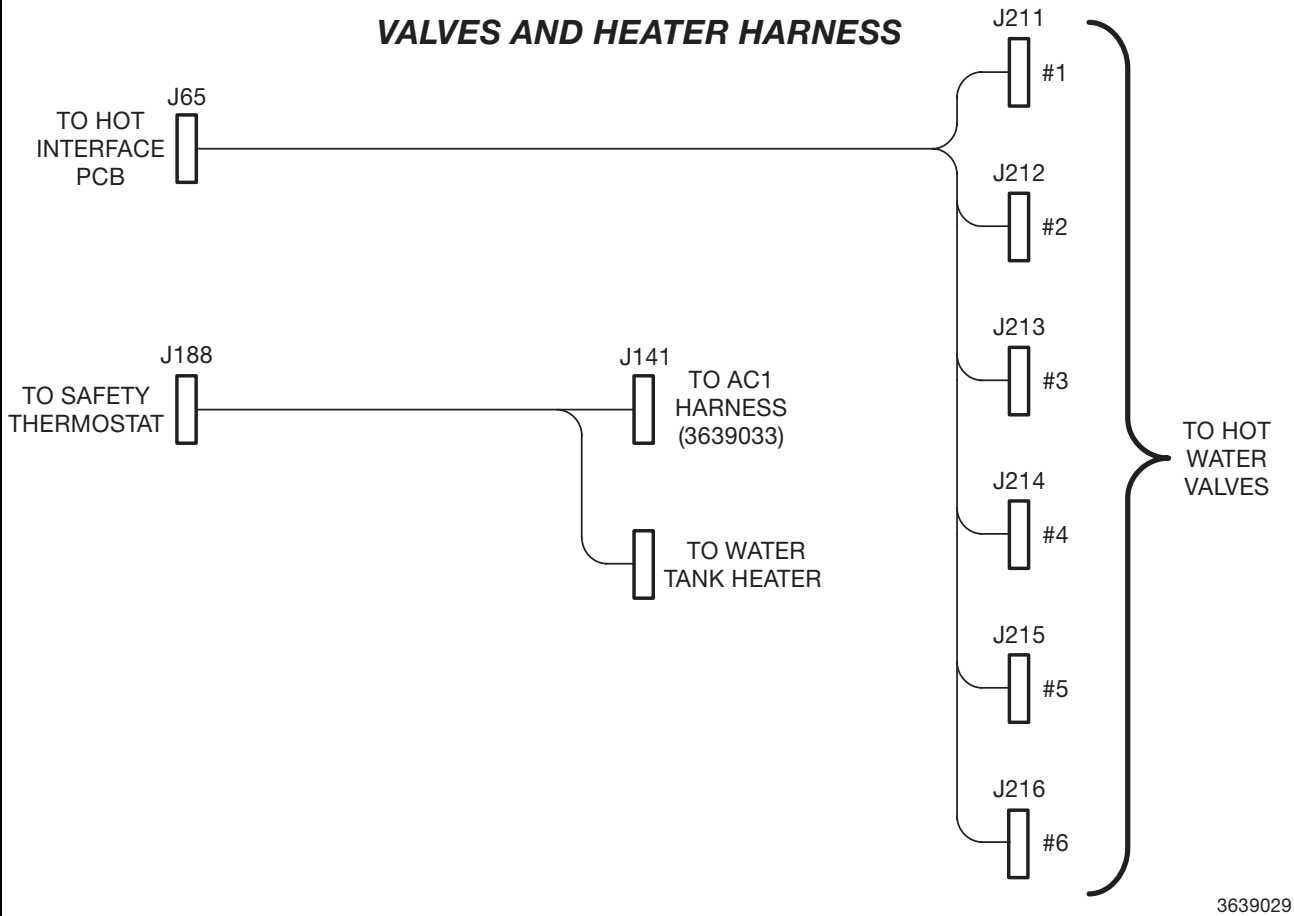
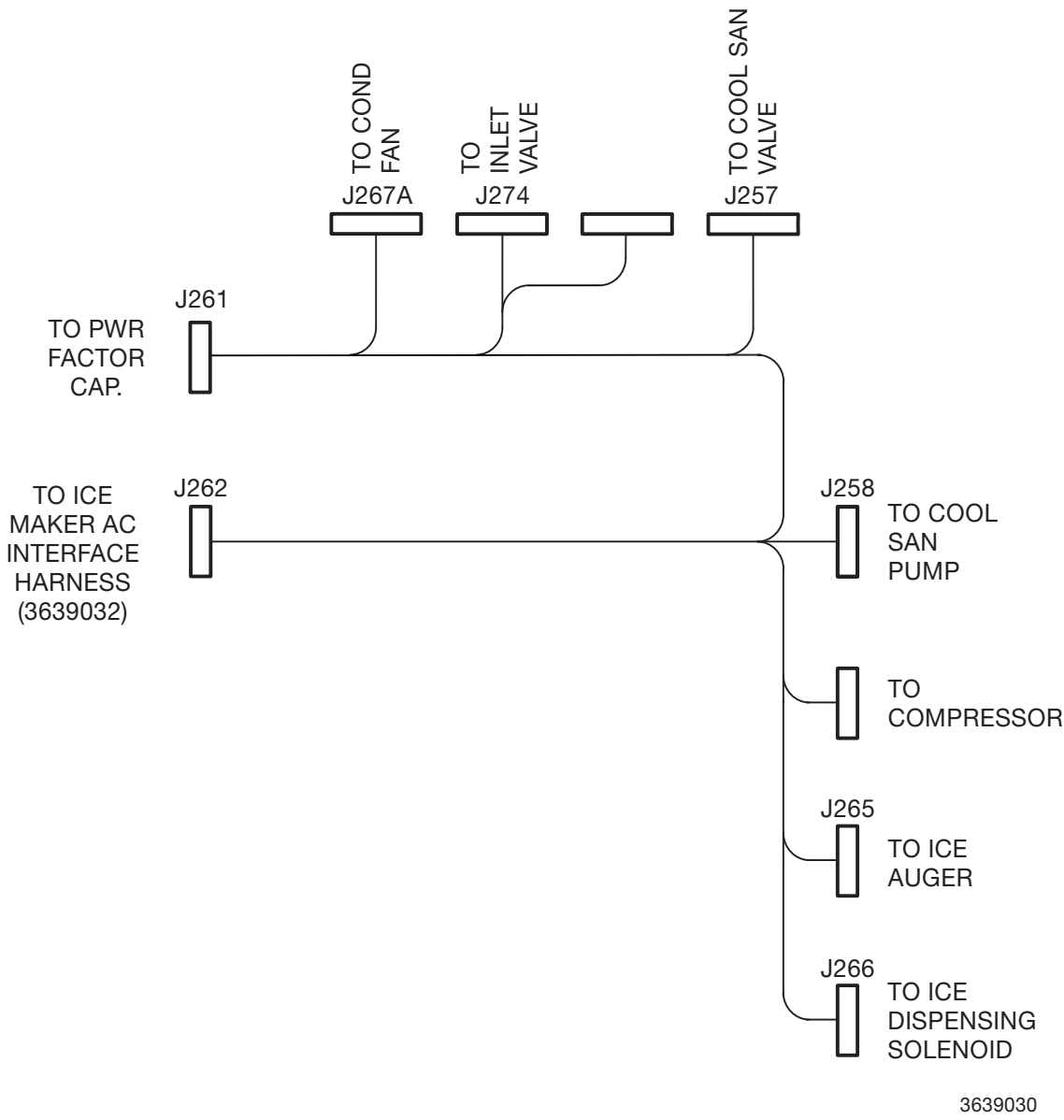


Figure 104. Wiring Harnesses (Part 7 of 16)

3639030
ICE MAKER AC HARNESS



3639030

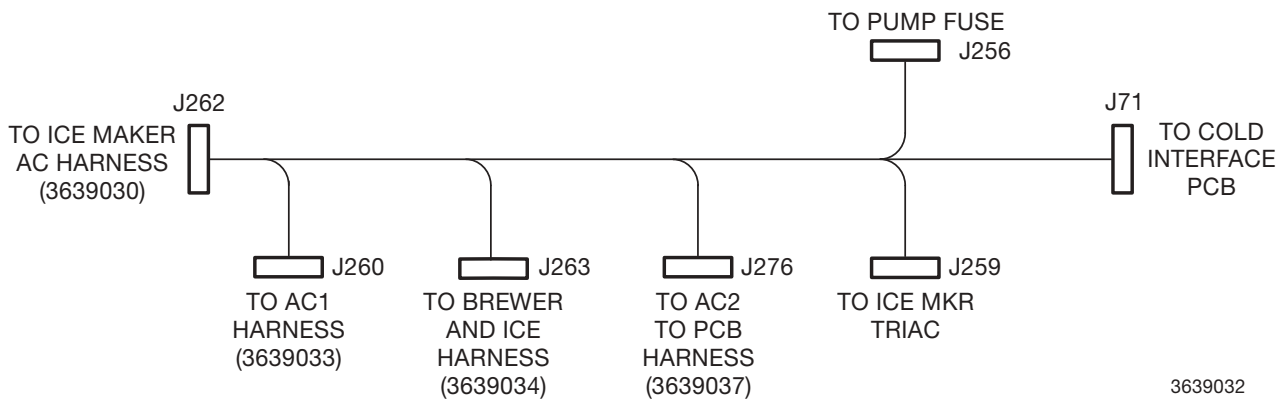
Figure 104. Wiring Harnesses (Part 8 of 16)

3639031
ICE MAKER DC HARNESS



3639031

3639032
ICE MAKER AC INTERFACE HARNESS



3639032

Figure 104. Wiring Harnesses (Part 9 of 16)

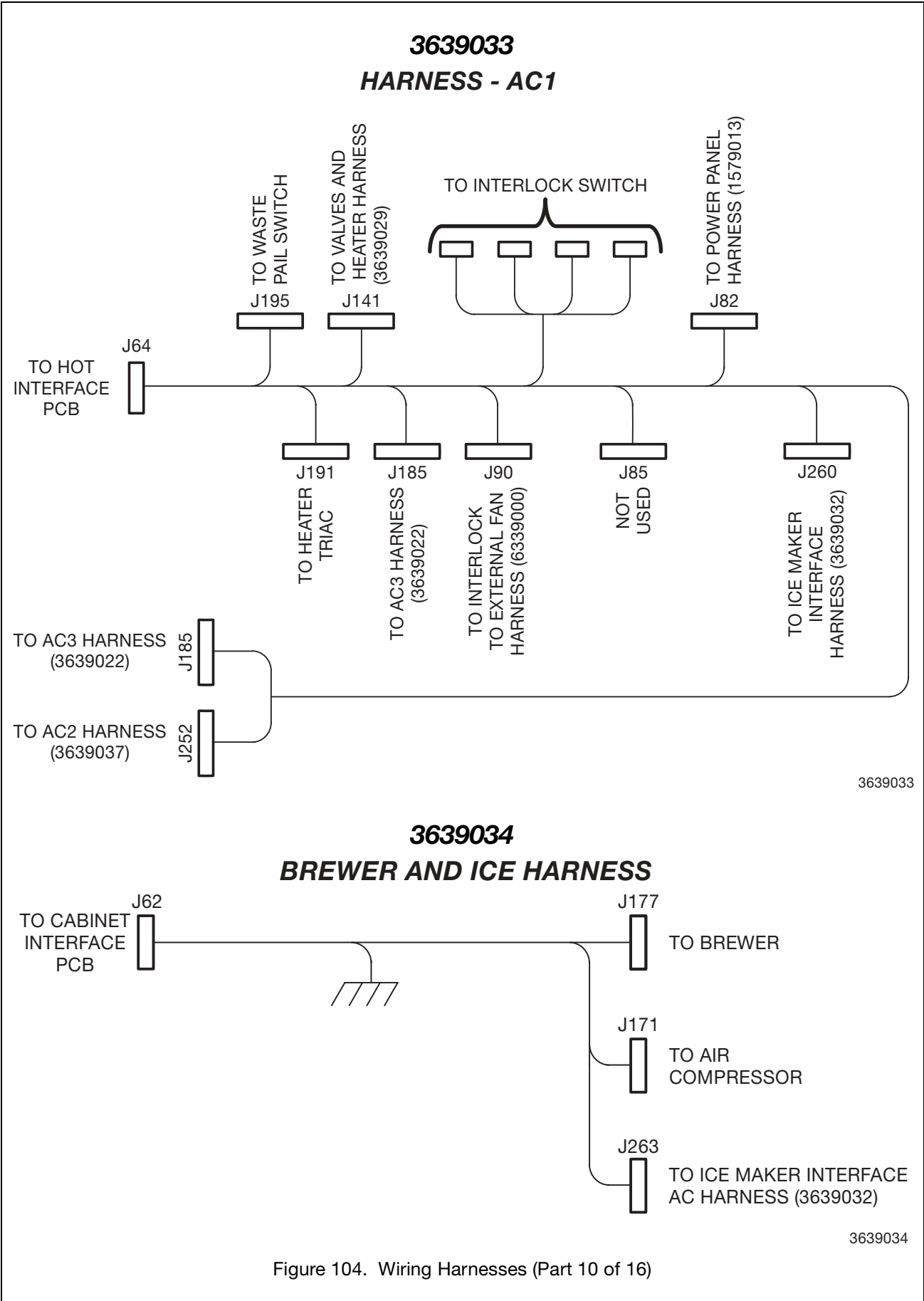
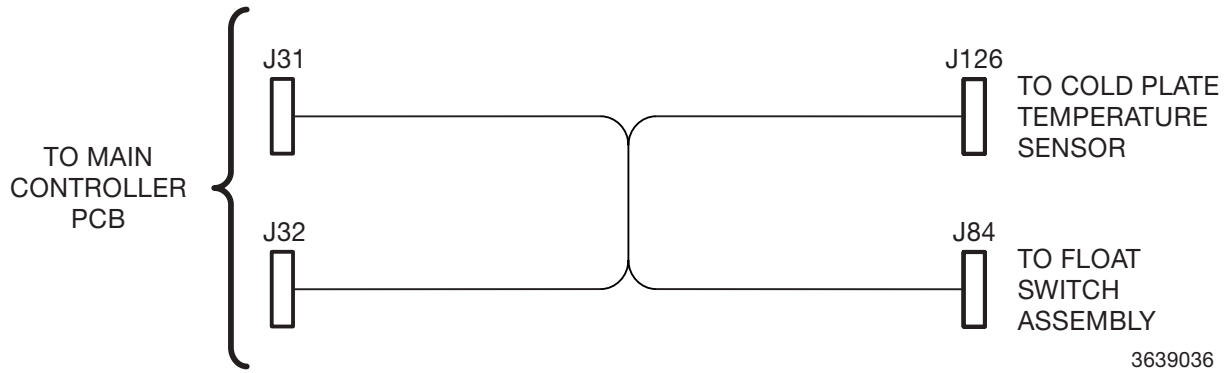


Figure 104. Wiring Harnesses (Part 10 of 16)

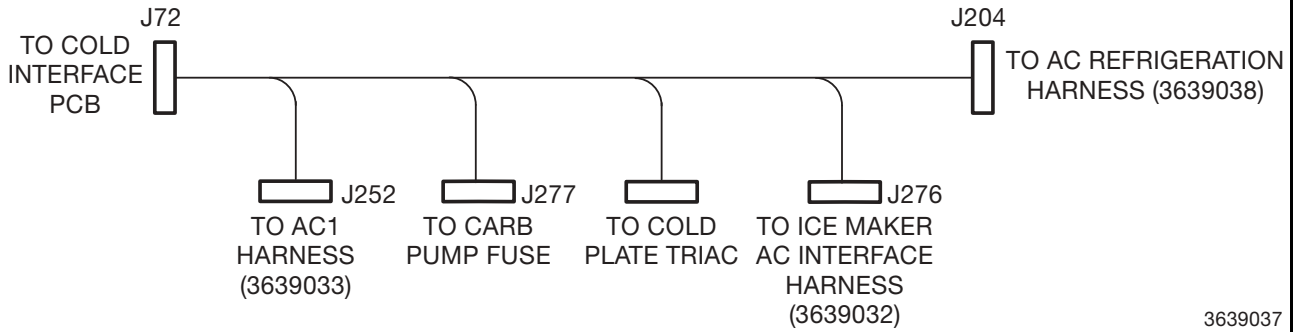
3639036

JUMPER-FLOAT AND TEMP SWITCHES



3639037

AC2 TO PCB HARNESS



3639042

JUMPER-FAN

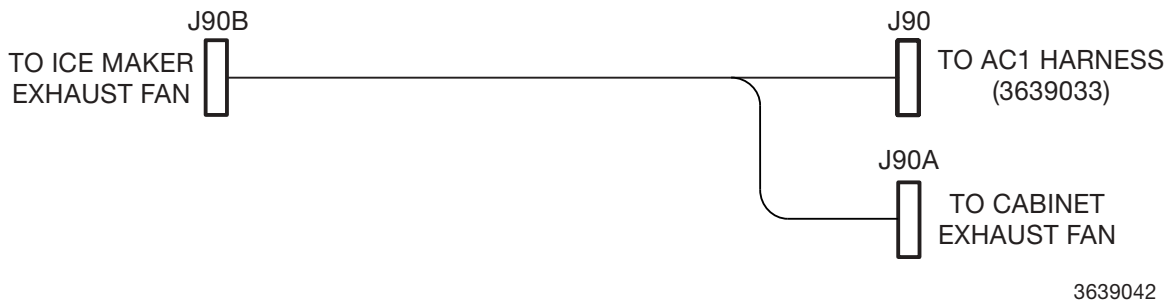


Figure 104. Wiring Harnesses (Part 11 of 16)

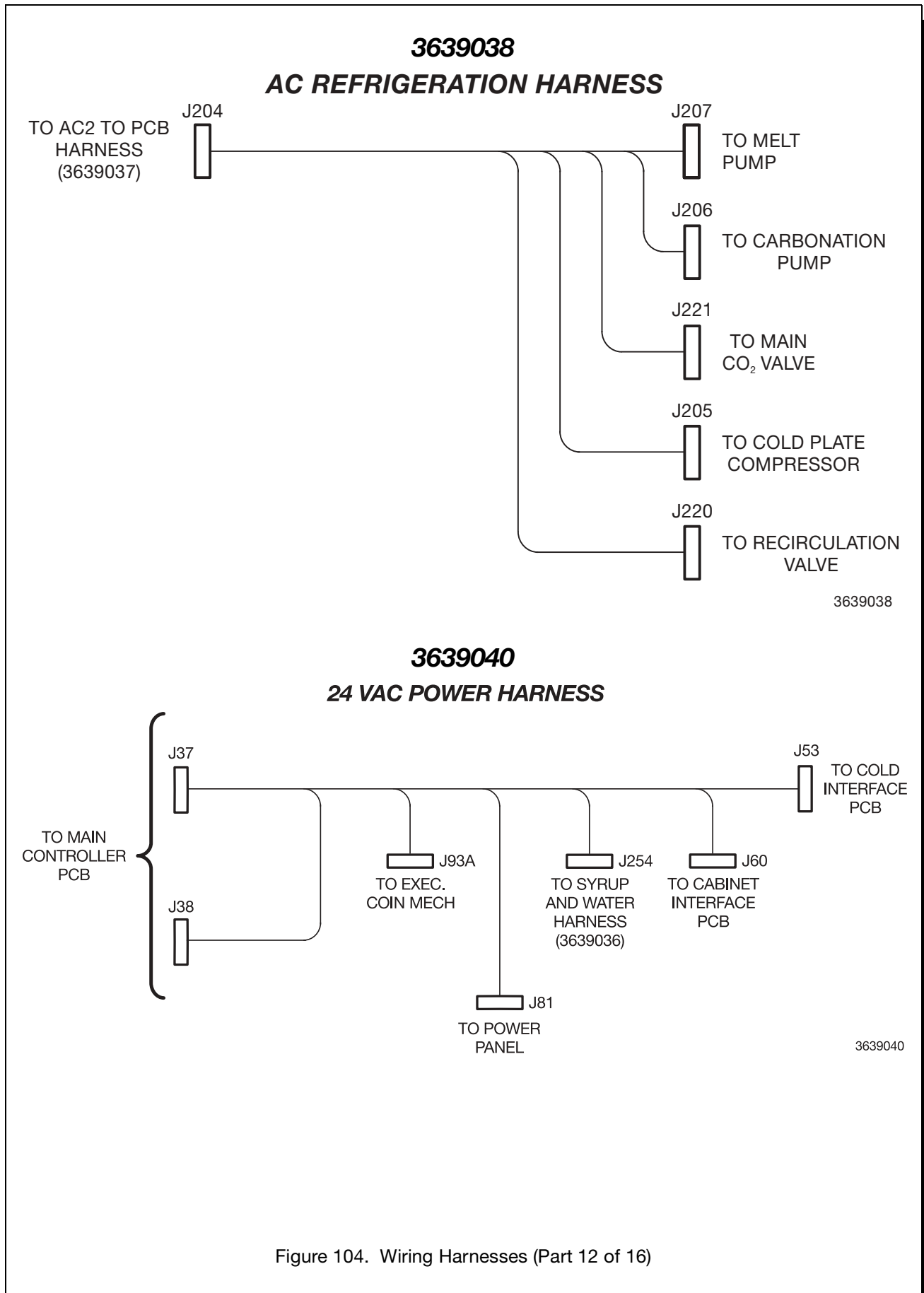
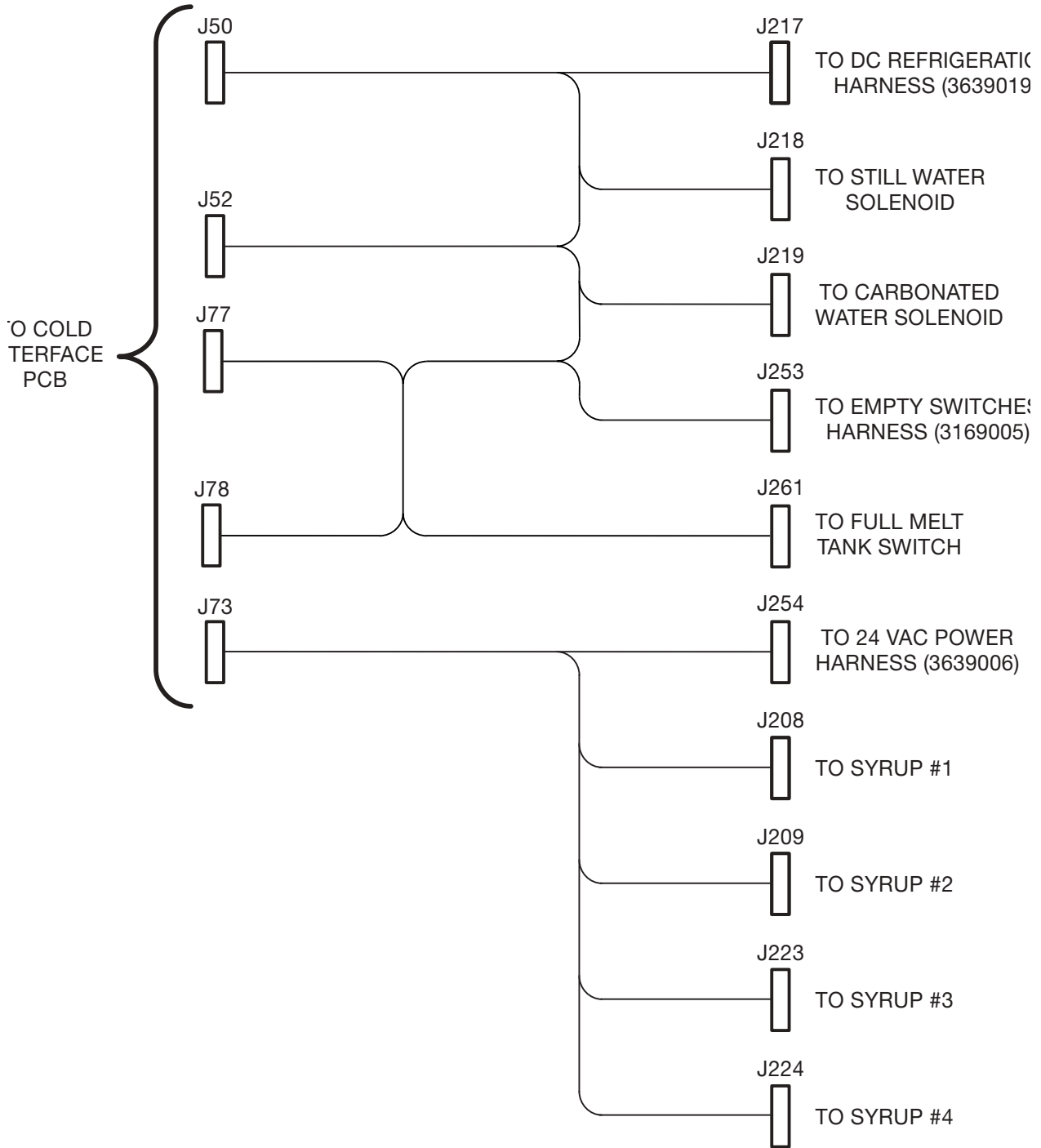


Figure 104. Wiring Harnesses (Part 12 of 16)

3639045

SYRUP AND WATER HARNESS



3639045

Figure 104. Wiring Harnesses (Part 13 of 16)

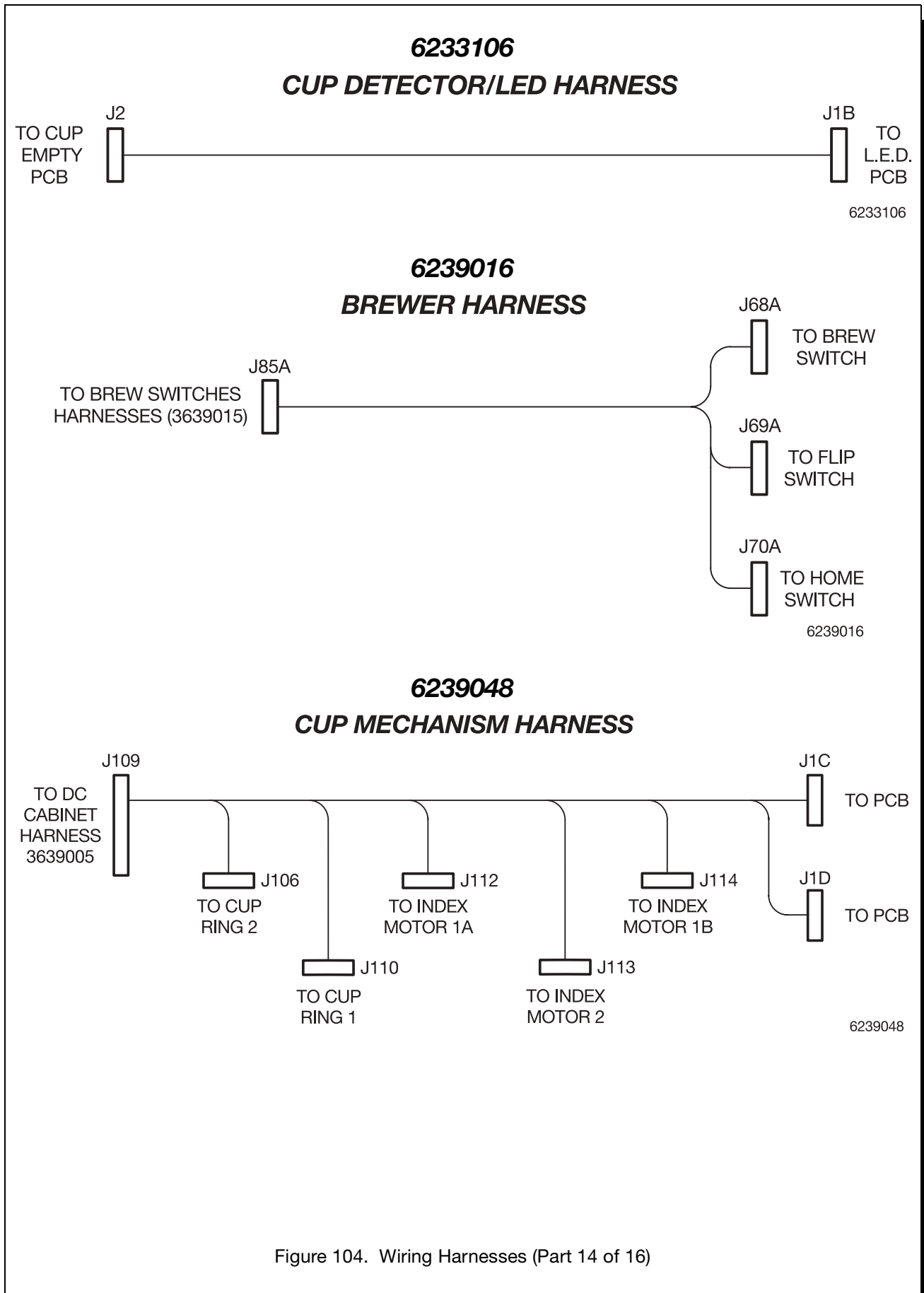


Figure 104. Wiring Harnesses (Part 14 of 16)

6339000
INTERLOCK TO EXHAUST HARNESS



6339006
FLUORESCENT LIGHT HARNESS



6339007
JUMPER-CABINET SERVICE LIGHT



6339017
DISPLAY TO CONTROLLER FLAT CABLE

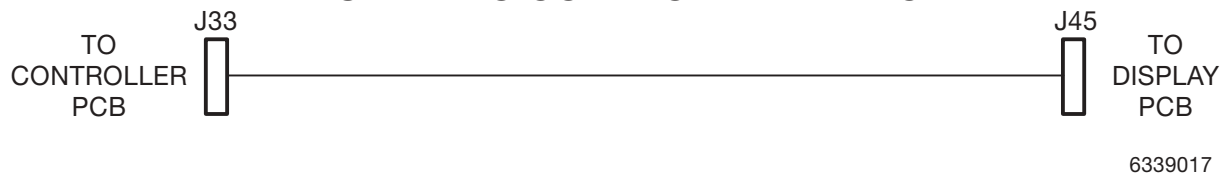


Figure 104. Wiring Harnesses (Part 15 of 16)

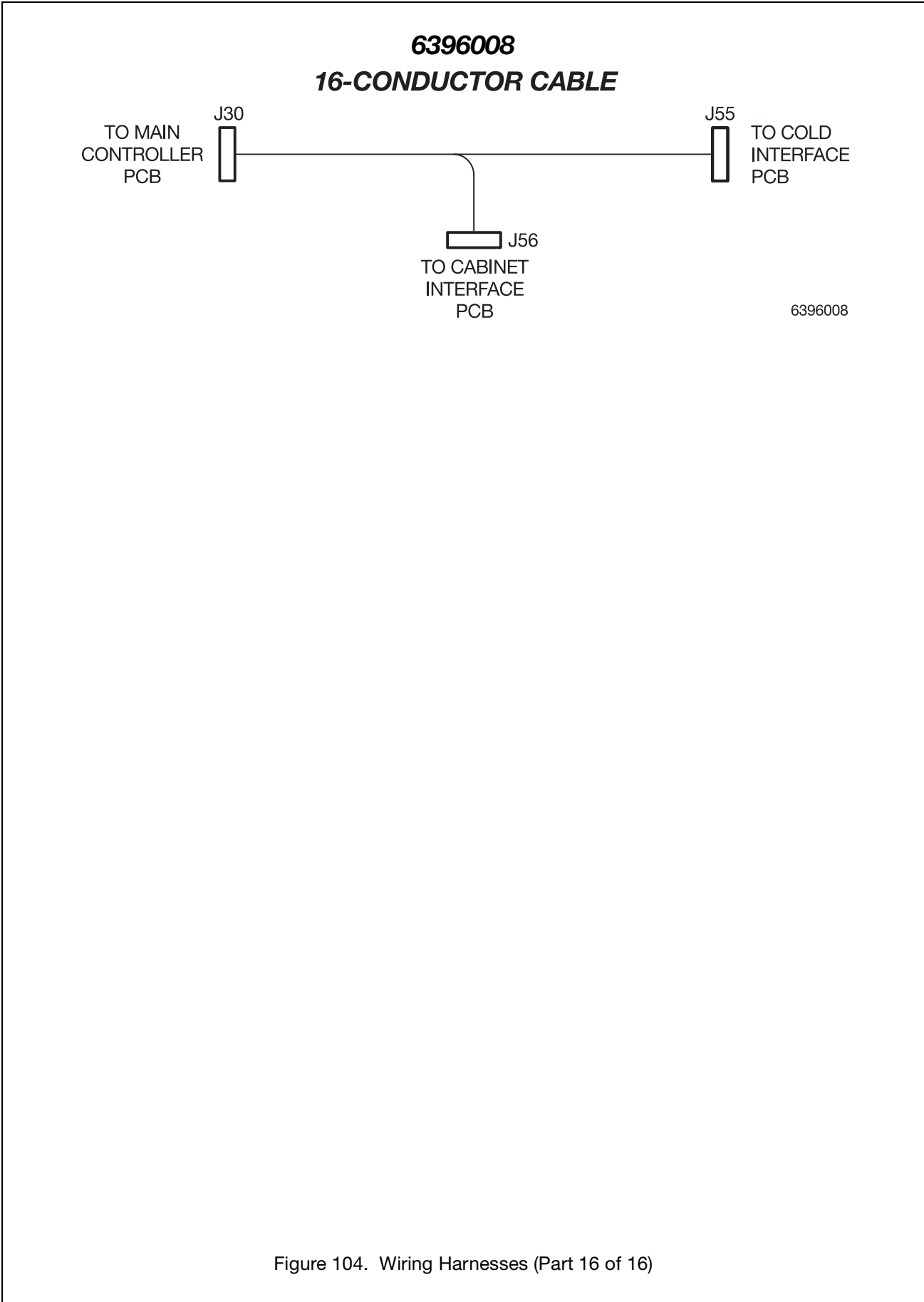


Figure 104. Wiring Harnesses (Part 16 of 16)

THIS PAGE INTENTIONALLY LEFT BLANK

PART NUMBER INDEX

Part Number	Page	Part Number	Page
1	7	1477113	75
1101906	89	1571021	211
1127808	39	1571038	43
1141054	61	1571042	47
1170206	101	1571079	39
1172190	53	1571081	39
1172191	53	1571083	91
1211105	33	1571084	91
1211112	7	1571113	39
1211141	47, 211	1571115	7
1211161	103	1571127	7
1217159	111	1571154	39
1217160	111, 145	1572010	49
1217161	53	1572011	49
1300018	10, 12, 14, 16	1572013	37
1302289	53	1572014	43
1302290	53	1572015	43
1302291	53	1572016	43
1302324	53	1572196	51
1302326	53	1572199	55
1302409	19	1572200	55
1401110	37, 39	1572201	55
1437204	37	1572202	55
1451097	61, 145, 184, 185	1572203	55
1451124	77, 101, 212	1572204	55
1452076	101	1572209	31
1452139	101	1572210	31
1452151	79	1572212	31
1452203	19	1572214	27
1457027	61	1572223	31
1470761	89	1572224	31
1471054	93	1572258	27
1471055	83	1572259	27
1471098	7	1572267	27
1471237	7	1572292	31
1472178	51	1572323	31
1472222	31, 37	1575003	39
1472223	37	1575012	42, 43
1472250	51	1575013	42, 43
1472251	35	1575014	43
1475026	39	1575015	43
1475048	39	1575022	43
1475053	41	1575023	43
1475072	39	1575024	43
1475089	35	1575025	42
1475099	39	1575026	42, 43
1475107	41	1575029	39
1475119	183	1575034	43
1477020	75	1575035	43

Twin Drink Center Parts Manual

Part Number	Page	Part Number	Page
1575036	43	3014069	119
1575040	43	3014073	121
1575044	37	3014081	117
1575048	40, 45	3014101	117
1575058	35	3014149	119
1575091	35	3014152	119
1575094	37, 39, 45	3014157	119
1577035	61, 71, 75	3014251	119
1579003	212	3014266	119
1579005	41, 212	3014267	119
1579006	41, 213	3014268	119
1579010	211	3014269	119
1579011	211	3102162	25
1579013	213	3102447	183, 184
1579017	213	3103133	105
1579028	41, 214	3104172	117
1579032	41	3106154	101
1579050	41	3107171	101
1582086	29	3108013	197
1582200	29	3108022	197
1672027	43	3108038	197
1679055	129	3108073	193, 199
1701025	129, 131	3108141	75
1709000	131	3108163	197
1709001	129, 131	3112163	53
1709006	129, 131	3112164	53
2204093	39	3113003	125
2221920	89	3114078	117
2222095	77	3114079	117
2222096	101, 103	3114081	117
2222110	25	3114097	117
2222535	77	3114098	123
2222603	89	3114099	117
2222604	89	3114132	117
2271408	42	3116127	111
2272036	101	3118002	125
2272052	53	3118003	125
2301057	61, 71	3118005	125
2302053	31, 37, 49, 59, 69	3118006	125
2302223	167, 169	3118007	125
2304108	111	3118008	125
2342203	29	3118011	125
2342216	47	3118047	10, 12, 14, 16
2342315	75	3118088	12, 14, 16
2346016	101, 214	3120008	10, 12, 14, 16
2366135	211	3121150	111
3014049	117	3122056	39
3014055	117	3124105	119
3014056	117	3124106	117
3014057	117	3124168	117
3014061	117	3127100	209
3014062	117	3127101	209
3014064	121	3127102	209

Twin Drink Center Parts Manual

Part Number	Page	Part Number	Page
3127107	209	3154067	121
3127109	209	3154077	121
3128092	165	3154079	121
3128128	125	3156032	77, 214
3128151	199	3157060	101, 103, 145, 189, 211
3128169	125	3157068	101
3128303	127, 193, 199	3157078	121
3128317	127, 193	3158026	10, 12, 14, 16
3143005	63, 71, 73	3158028	125
3143006	73	3158061	201
3143007	73	3158072	127
3143008	73	3167006	205
3143009	63, 73	3167010	193, 199
3143010	63, 73	3167012	197
3143011	63, 73	3167023	10, 14, 16
3143013	63, 73	3167025	199
3143015	63, 73	3167029	205
3143016	63, 73	3167101	205
3143017	63, 73	3167103	199
3143056	63	3167111	205
3143057	63	3167122	207
3143058	63	3167123	207
3143129	63, 73	3167124	199
3143130	63, 73	3167128	173
3146055	61	3167151	207
3148040	197	3167171	10, 14, 16
3148041	197	3169005	215
3148050	197	3178005	113
3148051	197	3274001	119
3148060	111	3281022	27
3148178	193, 197	3281081	129
3151058	77, 101	3502097	95, 187, 189
3152045	3	3607001	175
3152391	41	3607111	209
3152444	41	3607112	209
3152560	19	3617008	109
3154013	119	3618121	201
3154014	119	3630000	10, 12, 14, 16
3154015	119	3630006	10, 12, 14, 16
3154016	119	3630007	10, 12, 14, 16
3154017	119	3630035	16
3154018	119	3630038	10
3154019	119	3630039	12, 14, 16
3154021	121	3630733	3
3154023	121	3631019	91
3154024	121	3631025	33
3154025	121	3631028	93
3154026	121	3631032	93
3154031	121	3631036	89
3154040	121	3631037	47
3154042	121	3631038	47
3154063	121	3631051	89
3154064	123	3631060	109

Twin Drink Center Parts Manual

Part Number	Page	Part Number	Page
3631061	109	3632035	10
3631065	146	3632036	10, 12, 14, 16
3631066	201	3632037	10, 12, 14, 16
3631070	105	3632038	10, 12, 14, 16
3631071	105	3632039	10
3631074	111	3632040	10
3631076	107, 111	3632041	10
3631077	111	3632042	10
3631079	91	3632043	10, 12
3631096	37	3632045	10, 12
3631104	1	3632046	10, 12
3631106	5	3632048	10, 12
3631108	5	3632049	81
3631109	61	3632050	81
3631113	191	3632051	10, 12
3631116	91	3632054	16
3631118	111	3632055	16
3631119	109	3632056	16
3631120	167	3632057	16
3631127	109	3632058	16
3631128	105	3632059	16
3631130	85, 105	3632060	16
3631132	1	3632061	16
3631145	205	3632062	16
3631151	87	3632063	17
3631160	89	3632064	17
3631163	191	3632070	12
3631164	191	3632071	12
3631166	107	3632072	12
3631172	89	3632073	12
3631175	105	3632074	12
3631176	105	3632076	10, 12
3632001	9	3632077	10, 12
3632007	19, 79	3632078	10, 12
3632008	79	3632079	10, 12
3632009	19	3632080	14
3632010	19	3632081	14
3632011	19	3632082	14
3632012	19	3632083	14
3632013	21	3632088	14
3632015	20	3632089	14
3632016	20	3632090	14
3632020	75	3632091	14
3632022	79	3632092	14
3632023	75, 79	3632093	14
3632026	10, 12	3632094	14
3632027	10, 12, 14, 16	3632095	14
3632028	10, 12, 14, 16	3632098	15
3632029	10, 12, 14, 16	3632099	15
3632030	10, 12, 14, 16	3632100	15
3632031	10, 12, 14, 16	3632101	17
3632032	10, 12, 16	3632102	17
3632033	29, 61	3632105	10

Twin Drink Center Parts Manual

Part Number	Page	Part Number	Page
3632106	12	3633002	61
3632107	17	3633005	59
3632108	15	3633006	59
3632109	11	3633007	59
3632114	31	3633008	59
3632118	3	3633012	59, 67
3632120	1, 3	3633013	61
3632121	9	3633014	61
3632133	29	3633017	61
3632135	29	3633018	61
3632137	27	3633019	61
3632138	77	3633020	57
3632227	19	3633021	9, 57
3632228	19	3634010	146
3632229	19	3634011	91
3632230	19	3634016	146
3632231	19	3634018	146
3632232	19	3634034	87
3632233	19	3634042	85
3632234	19	3634054	115
3632235	19	3634055	115
3632236	19	3634056	127
3632237	20	3634151	87
3632238	20	3634156	115
3632239	20	3634168	89
3632240	20	3634170	87
3632241	21	3634171	87
3632242	21	3634172	87
3632243	21	3634173	115
3632244	21	3634174	113
3632245	21	3634186	115
3632246	21	3634192	115
3632247	21	3635002	39
3632248	21	3635004	35
3632249	21	3635015	35, 37
3632250	21	3636000	47
3632251	21	3637012	179
3632252	21	3637019	199
3632253	21	3637020	147, 157
3632254	21	3638015	167
3632255	21	3638022	127, 193
3632256	20	3638023	191
3632257	20	3638024	191
3632258	20	3638029	193
3632259	20	3638033	197
3632263	19	3638035	197
3632265	19	3638036	193
3632266	19	3638052	191, 195
3632267	19	3638069	199
3632268	21	3638070	109
3632269	21	3638072	12, 15, 17
3632270	21	3638075	191
3633001	57, 61	3638088	107

Twin Drink Center Parts Manual

Part Number	Page	Part Number	Page
3638097	199	4552059	27
3638105	191	4552060	27
3638106	191	4711020	109
3638107	191	4733035	61, 71
3638108	205	4744009	195
3638109	205	4751087	193, 199
3638110	205	4751162	89
3638112	193	4774027	115, 195
3638115	191	4774111	195
3638116	191	5220108	75
3638117	191, 199	5580121	93
3638118	191	5900096	41
3638119	191	5900097	41
3638123	193	5900112	41
3638126	193	5900116	41
3638127	199	5900182	41
3639001	215	5900192	41
3639005	216	5900193	41
3639008	216	5900198	41
3639011	61, 217	5900205	41
3639015	217	5900209	41
3639018	217	5900210	41
3639019	217	5900213	41
3639022	218	5900214	41
3639029	218	5900216	41
3639030	219	5900217	41
3639031	220	5900221	41
3639032	220	5900233	41
3639033	221	5900234	41
3639034	221	5900237	41
3639036	222	5900243	41
3639037	222	5900247	41
3639038	223	5900248	41
3639040	223	6104159	127
3639044	224	6104181	141
3641001	93	6104184	141
4041241	61	6104193	141
4047054	111	6104194	125
4047061	55	6104220	117
4111093	93	6104429	125
4242145	33	6106107	141
4245082	49	6108007	193
4245083	49	6108065	167
4245084	49	6112042	125
4245186	145	6114121	59, 63, 73
4279001	131	6117010	109
4302316	145	6118106	97
4304092	115, 195	6124073	99
4305043	101, 205	6131066	65
4521020	131	6134152	141
4551153	5	6134155	141
4551154	5	6134173	141
4552058	27	6134178	141

Twin Drink Center Parts Manual

Part Number	Page	Part Number	Page
6134192	141	6231488	105
6134197	141	6231489	105
6137157	179	6231492	105
6138080	125	6231495	105
6138181	59, 67, 69	6231515	41
6138183	99	6231516	167
6138287	99	6231526	83, 87
6154214	173	6231528	83
6154226	193, 199	6231537	107
6154232	173	6231539	107
6154284	173	6231548	95
6154285	173	6231550	95
6154286	173	6231553	95
6154287	173	6231559	101, 103
6154288	173	6232017	21
6154289	173	6232019	21
6154290	173	6232028	33
6204211	142	6232030	15
6204229	141	6232031	33
6230066	11	6232036	33
6230067	11, 13	6232039	21
6230071	11	6232041	11
6230805	3, 9, 75	6232042	79
6231033	167	6232043	79
6231034	7	6232047	75
6231036	85	6232051	11
6231037	39	6232052	11
6231074	95	6232054	11
6231087	5	6232055	11, 13
6231098	93	6232056	11
6231154	167	6232057	11, 13
6231163	7	6232058	11, 13
6231164	9	6232061	11, 13
6231169	167	6232062	11, 13
6231178	187, 189	6232064	15
6231189	47	6232065	75
6231197	137, 139	6232068	77
6231203	7	6232070	79
6231210	187	6232071	79
6231213	137, 139	6232072	21
6231218	9	6232079	75
6231220	137, 139	6232080	11
6231232	101	6232084	75
6231242	89	6232085	75
6231319	187, 189	6232086	11, 13
6231371	181	6232088	11, 13, 14, 16
6231372	101	6232089	75
6231376	184	6232091	75
6231413	105	6232096	75
6231430	105	6232102	9
6231431	105	6232106	17
6231432	105	6232108	17
6231443	105	6232124	13

Twin Drink Center Parts Manual

Part Number	Page	Part Number	Page
6232125	13	6232293	137, 139
6232128	15	6232305	101, 103
6232130	17	6232311	21
6232131	17	6232323	21
6232136	15	6232325	11, 13
6232137	15	6233001	71
6232138	15	6233007	15, 65, 71
6232139	15	6233010	61, 71
6232140	15	6233012	61, 71
6232141	15	6233013	61, 71
6232150	13	6233014	61, 71
6232151	13	6233016	71
6232152	13	6233018	71
6232157	13	6233019	71
6232158	77	6233021	61
6232159	77	6233028	61, 71
6232160	75	6233030	67, 69
6232161	17	6233031	71
6232165	21	6233037	71
6232170	9	6233048	59, 67, 69
6232173	15	6233058	61, 71
6232175	13	6233061	67, 69
6232177	13	6233062	61
6232180	21	6233065	61
6232184	15	6233072	61
6232188	21	6233073	9, 71
6232190	9	6233074	9, 71
6232192	21	6233077	61, 65, 71
6232195	15	6233082	71
6232198	15	6233088	69
6232201	21	6233089	69
6232207	11, 13	6233092	67
6232208	33	6233093	67
6232218	15	6233095	59, 67, 69
6232221	21	6233100	9, 65
6232225	21	6233101	65, 71
6232228	17	6233102	65
6232232	21	6233103	65, 69
6232241	21	6233105	61, 71
6232245	17	6233106	61, 225
6232246	17	6233107	61, 71
6232247	17	6233108	67
6232248	17	6233109	67, 69
6232249	17	6233114	15
6232251	17	6233115	15
6232252	17	6234000	91, 139
6232253	17	6234001	137, 139, 142
6232256	17	6234002	137, 139
6232258	17	6234007	137, 139
6232259	17	6234008	137, 139
6232260	17	6234010	137
6232262	17	6234104	137
6232263	75	6234106	75

Twin Drink Center Parts Manual

Part Number	Page	Part Number	Page
6234110	142	6234608	139
6234116	142	6234612	143
6234118	142	6234614	143
6234120	142	6234615	143
6234200	137, 139	6234616	139
6234205	137, 139	6234619	143
6234207	141	6234620	143
6234213	141	6234626	143
6234215	137, 139	6234628	143
6234220	137, 139	6234634	143
6234222	137, 139, 142	6234803	137
6234223	137, 139	6234979	135
6234225	137, 139	6234981	173
6234240	137, 139	6237008	161
6234243	137, 139	6237014	149, 151, 153, 155, 157, 159, 161
6234250	142	6237019	157, 159
6234256	142	6237020	157
6234260	142	6237023	149, 151, 153, 155, 161
6234261	142	6237025	149, 151, 161
6234270	137, 139	6237046	153
6234271	137, 139	6237051	167
6234273	137, 139	6237052	167
6234274	142	6237053	149, 151, 153, 155, 159, 161, 181
6234275	142	6237062	159
6234278	142	6237063	11, 13, 14, 16, 157, 161
6234279	145	6237069	157, 159
6234288	137, 139	6237074	183
6234289	137, 139	6237077	183
6234292	142	6237080	13, 159
6234293	137, 139	6237095	157, 159
6234294	91, 145	6237106	153
6234295	137, 139, 142	6237108	149, 151
6234297	139	6237110	171
6234301	137, 139	6237111	171
6234302	141	6237114	171
6234303	137, 139, 145	6237115	167, 169
6234305	141	6237116	149, 151, 153, 155, 161
6234308	137, 139	6237117	11, 13, 14, 16
6234310	137, 139, 145	6237119	171
6234328	137, 139, 141	6237125	169
6234335	173	6237126	169
6234357	187	6237127	169
6234359	187	6237128	169
6234361	167	6237157	171
6234375	137, 139, 141	6237165	183
6234510	145	6237167	149, 151, 153, 155, 161
6234514	145	6237170	183, 184
6234515	145	6237176	153, 155, 161
6234516	91	6237177	149, 151
6234600	139, 143	6237179	153
6234601	139	6237180	153
6234603	143	6237181	149, 151, 153, 155, 161
6234607	143	6237184	184

Twin Drink Center Parts Manual

Part Number	Page	Part Number	Page
6237192	171	6239009	103
6237193	171	6239016	145, 225
6237194	171	6239048	71, 225
6237195	167, 169, 171	6239053	103
6237205	187, 189	6240823	181
6237241	163, 165	6241008	181
6237276	165	6241009	181
6237277	165	6263002	65
6237279	165	6272001	81
6237280	165	6330041	16
6237281	165	6330828	41
6237287	165	6331009	167
6237293	165	6331089	83, 95
6237301	177, 179	6331090	83, 95
6237303	177	6332006	77
6237306	171	6332009	77
6237312	171	6332010	77
6237315	167, 169	6332025	9
6237333	177	6332027	11, 13
6237335	177	6332029	17
6237336	177	6332030	15
6237337	179	6332034	17
6237340	95	6332044	21
6237342	95	6332045	20
6237347	11, 13, 14, 16	6332100	20
6237352	91, 135	6332103	20
6237353	135	6332105	20
6237354	135	6332107	20
6237356	183, 184	6332109	20
6237423	147, 159	6332111	20
6237436	184, 185	6332113	20
6237437	185	6332115	20
6237438	185	6332117	20
6237439	149	6332119	20
6237446	147, 153	6332122	20
6237448	147	6332124	20
6237449	147, 161	6332126	20
6237450	147	6332128	20
6237455	177	6332130	20
6237460	177	6332137	20
6237470	177	6332138	22
6238026	97	6332139	22
6238042	97	6332140	20
6238068	99	6333003	59, 67, 69
6238074	97	6334000	189
6238075	97	6334001	145
6238084	99	6334002	91, 145
6238104	85	6334005	91, 145
6238105	85	6334007	145
6238112	97	6334008	189
6238113	97	6334009	189
6238136	97	6334010	189
6238137	97	6334011	145

Twin Drink Center Parts Manual

Part Number	Page	Part Number	Page
6334012	145	6404060	146
6334016	173	6404061	146
6334019	137, 139	6404111	146
6335002	37	6408027	89
6336000	47	6408028	89
6337015	163, 165	6408117	127, 193, 201, 203
6337016	151, 161	6408119	201, 203
6337017	167	6408143	11, 13, 15, 17
6337020	149, 151, 153, 155, 157, 159, 161	6508033	99
6337021	157	6508103	201, 203
6337023	147	6532008	15, 17
6337025	157	6532009	15, 17
6337027	159	6532012	15, 17
6337030	157	6537013	149, 155
6337049	179	6537014	149, 155
6337052	163	6537017	151, 161
6337054	163	6537018	149, 151, 155, 161
6337057	167	6537019	167, 171
6337059	179	6537021	149, 151, 155
6337082	179	6537022	147, 155
6337086	157	6537023	147, 149
6337087	157	6537024	147, 151
6338002	97	6537025	147
6338003	97	6537026	149, 151
6338007	97	6537030	167, 171
6338027	203	6849015	131
6338032	85	9000081	69
6338041	97	9082699	203
6338044	85, 97	9900011	25
6338046	97, 99	9900034	61
6338047	99	9900081	25, 59, 67, 97, 101, 103, 173, 189
6338049	99	9900098	5
6338050	99	9900115	69, 173
6338051	99	9900118	103
6338053	97	9900121	53
6339000	226	9900218	7
6339006	77, 226	9900415	149, 151, 153, 155, 161
6339007	226	9900418	123
6339017	226	9900425	75
6367005	163	9984094	129, 131
6367006	163	9984165	101, 103, 189, 211
6396008	227	9984629	129, 131
6398046	197	9984630	35
6398049	197	9985887	145
6398065	193	9988208	145
6398066	193	9989046	131
6398102	197	9989100	129, 131
6398112	193, 197, 199	9989110	131
6400002	41	9989639	37
6400003	41	9989672	131
6401088	95	9989673	129
6404034	61	9989674	129, 131
6404054	146	9989678	47

Twin Drink Center Parts Manual

Part Number	Page
9989682	93
9989685	39
9992400	53
B	
B3630000	9, 10
B3630001	12
B3630002	16
B3630007	14

Part Number	Page
P	
PS363000	10, 12, 14, 16
W	
WD3630004	10
WD363003	16
WD363005	12, 14
Symbols	
+3638068	205